



PARTS CATALOG

FSC600A'06
SILVER WING

FSC600D'06
SILVER WING

NOVEMBER, 2005

American Honda Motor Co., Inc.

14MCT601M (Fiche Version)

TABLE OF CONTENTS

Introduction

Grid / Page

- HOW TO USE THIS CATALOG A2 4
- LOCATION OF SERIAL NUMBER A2 5
- SERIAL NUMBERS A3 7
- CONSTRUCTION OF VEHICLE IDENTIFICATION
NUMBER A4 8
- COLOR TABLE A4 9
- BULK HOSE PART NUMBER PATTERN..... A5 11
- MASTER INDEX A6 12

Part Groups

- ENGINE SECTION 1-C1 1-1
- FRAME SECTION..... 1-D1 2-1

Index

- PART NUMBER INDEX B1 3-1
- DESCRIPTION INDEX 1-G1 4-1

HOW TO USE THIS CATALOG

This parts catalog is to be used when ordering replacement parts for the model (s) specified on the microfiche strip.

CATALOG PAGE BREAKDOWN (Generic layout-sample data only)

4= MODEL 6= MODEL 6= MODEL 7= MODEL	E-1										
④		Engine Serial Number									
Ref.	Description	MODEL-ID	From	To	AREA	ORG	QTY	Part Number	H/C		
1	COVER SET, CYLINDER HEAD	4	15240057	-----	AC	JPN	1	12310-PE2-020	2031797		
	COVER SET, CYLINDER HEAD		-----	12234811	A	USA	1	12310-PE2-030	2210888		
①	②	③	⑤	⑥	⑦	⑧	⑨	⑩			

KEY TO CATALOG PAGE BREAKDOWN

1. **Ref.** - Reference numbers correspond to the reference numbers on the illustrations. All illustrations are representative only and do not necessarily correspond exactly to the actual part. "NI" signifies the part is not illustrated.

2. **Description*** - Describes the part for the related part number.

Abbreviations:

ASSY.	- Assembly	V	- Volt
COMP.	- Complete	W	- Watt
L(100L)	- Link(100Links)	A.C.	- Alternating Current
R.	- Right	D.C.	- Direct Current
L.	- Left	KPH	- Kilometers Per Hour
IN.	- Inlet	MPH	- Miles Per Hour
EX.	- Exhaust	A.M.	- Attaching Mark
FR.	- Front	T.M.	- Transcript Mark
RR.	- Rear	A	- Ampere
HEX.	- Hexagonal	WL	- With Labeling
STD.	- Standard	WOL	- Without Labeling
MM	- Millimeter	T (22T)	- Tooth
G	- Gram	C.D.I.	- Capacitive Discharge Ignition

3. **MODEL-ID*** - Model indicator code is unique per catalog (not consistent with other catalogs).

4. Each catalog will be represented with applicable model indicators and models.

5. **Serial Number** - Applies to Engine or Frame serial numbers depending on the section. The serial numbers of the vehicle (frame, engine, carburetor) should be checked prior to ordering parts for a specific unit. In cases where a part has been modified, the serial number of the vehicle bearing the modification is listed in the 'SERIAL NUMBER' column. The modification parts are controlled by each pertinent serial number below.

Engine serial number - Engine group parts (Block numbers beginning with 'E').

Carburetor identification number - Carburetor component parts.

Frame serial number - Frame group parts (Block numbers beginning with 'F').

A serial number chart and serial number locations are provided.

Note - Some models may be controlled by one serial number only.

6. **AREA*** - Applicable area code type is defined in the serial number chart.

7. **ORG*** - Manufacturing origin of the unit.

8. **QTY** - Quantity required per unit as specified.

A. "AR" in place of the quantity indicates AS REQUIRED.

B. "()" Parentheses in the quantity required indicate "optional".

9. **Part Number** - Part number corresponds to the reference number and application. Several part numbers may be listed under one (1) reference number. For your convenience the current supersede chain, as of print date, has been listed. Supersede chains are subject to change without notice.

10. **H/C** - The Honda Code and Part Number share a 1 to 1 relationship.

MAKE-UP OF PART NUMBERS

All parts are classified into two groups consisting of "GENERAL PARTS" and "STANDARD PARTS". All parts are numbered in accordance with the system described below:

General Parts

Example: Driver Seat Assembly Part No.	77400-634-671ZA
Function No.	77
Component No.	400
Model Code No.	-634-
Modification Process Design	671
Color Code**	ZA

A. Additional Information - The section index located at the bottom of each microfiche grid lists section titles. The Engine and Frame sections have separate section indexes.

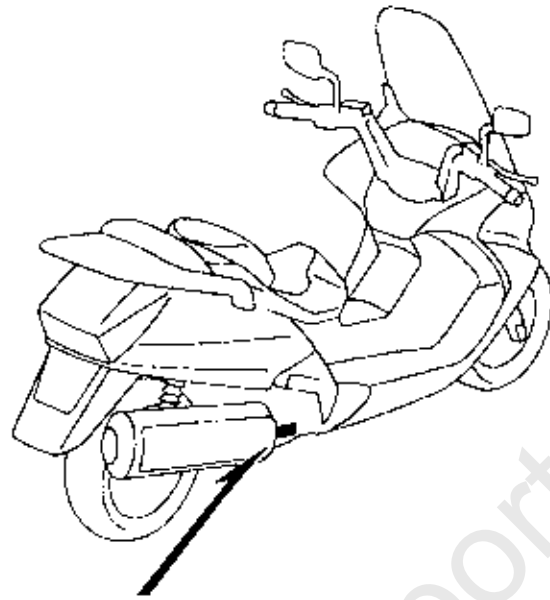
Note:

1. Rear view mirrors are standard equipment on all street legal models.

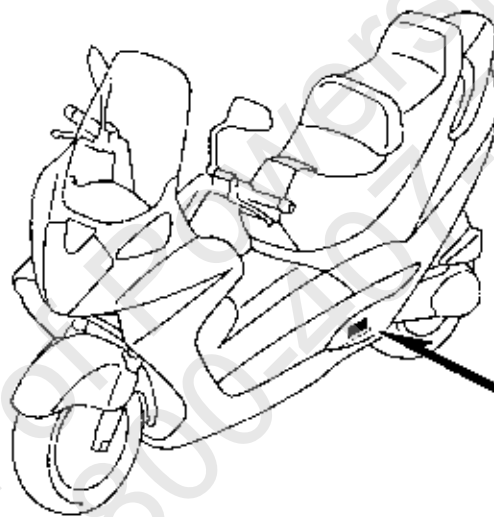
*When columns become full, additional data is displayed on a second line.

**The color code at the end of a part number indicates a color. Color codes such as ZA, ZB, ZC . . . , except ZZ, do not indicate the actual color. Actual colors are represented in code, between asterisks in the part description.

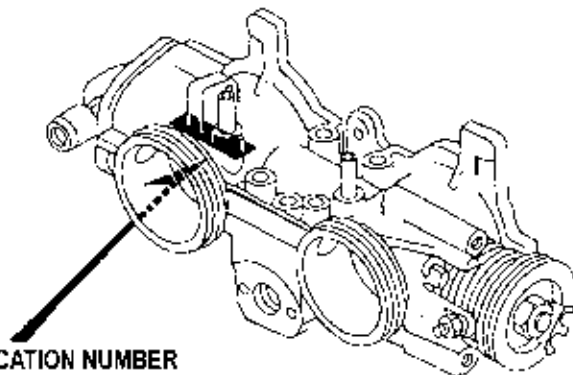
LOCATION OF SERIAL NUMBER



FRAME SERIAL NUMBER



ENGINE SERIAL NUMBER



THROTTLE BODY IDENTIFICATION NUMBER

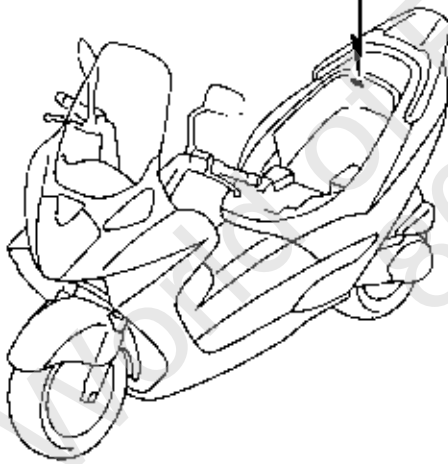
LOCATION OF SERIAL NUMBER

INSTRUCTION OF COLOR LABEL

Color Label

When ordering parts, check the model name, main color and by code observing the color label on the vehicle.
When ordering a colored part, use the Color Chart in the INSTRUCTION FOR USE OF PARTS CATALOG.

FSC600A6		MODEL				
COLOR	PB-358M	COLOR				
CODE	PB358	CODE				
No.	Name of colored parts	Basic part No.				
1						
2						
3						



SERIAL NUMBERS

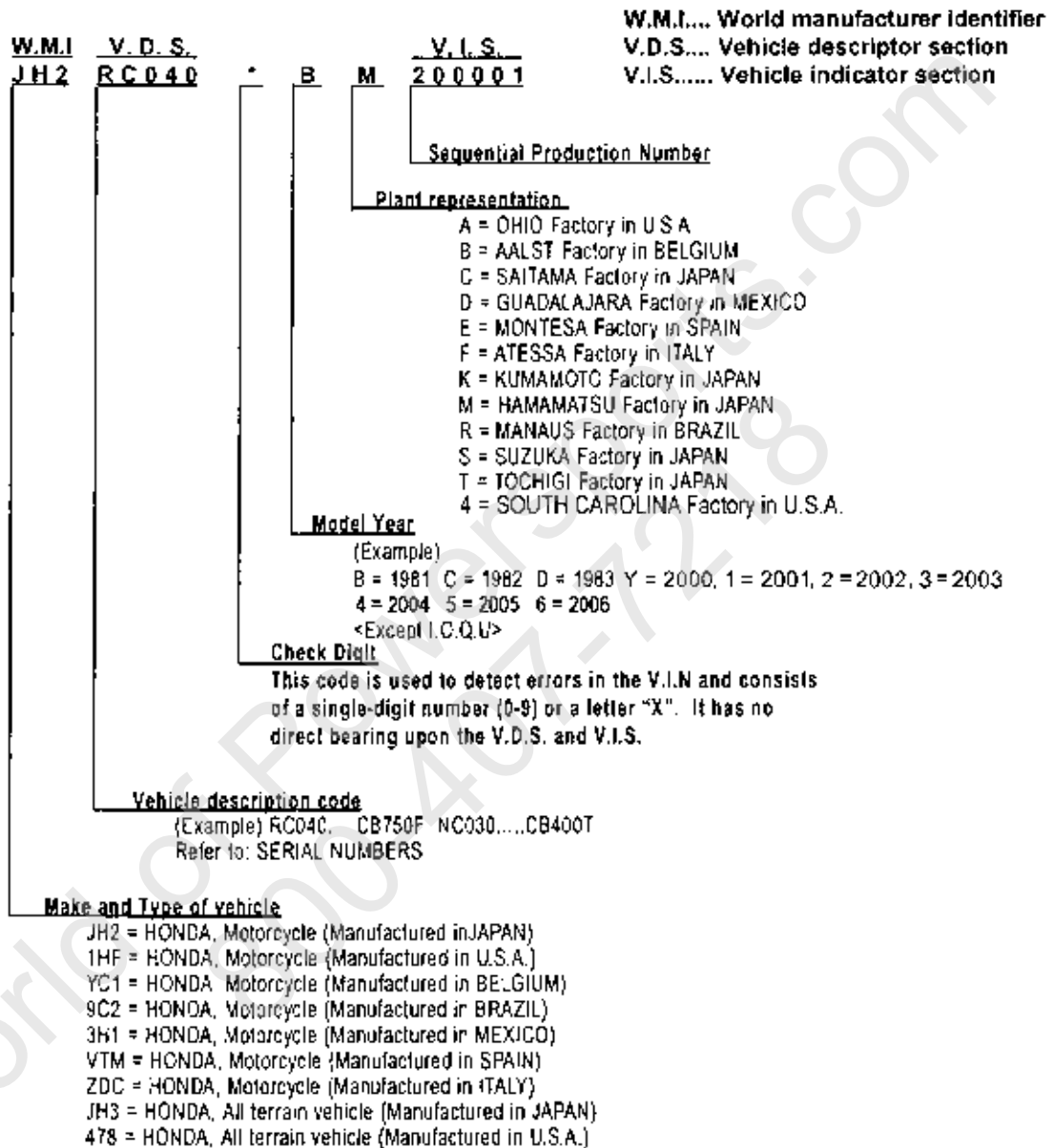
Models and applicable serial numbers

Models and applicable serial numbers given in this parts catalog can be identified as follows.

Model	Area Code	Engine Serial No.	Frame Serial No.	Carburetor Serial No.
FSC600A'06	AC	PF01E-6200001~	JH2PF014*6K300001~	GQ80B A
FSC600D'06	AC	PF01E-6200001~	JH2PF011*6K400001~	GQ80B A

World of Powersports.com
800-407-7218

CONSTRUCTION OF VEHICLE IDENTIFICATION NUMBER



Any change or modification of parts is directly related to the V.D.S. and V.I.S.
 A V.I.S. number will appear in the "Serial No." column of the Parts Catalog if a part is changed or modified.

COMMENT:

This example is generic and applies to 1981 and newer vehicles. 1980 models and prior are referred to as "FRAME NUMBERS" and the construction is designed by using the model designation or code followed by a sequential number.

COLOR TABLE

When ordering a colored part:

1. Confirm the color code for the required part from the color table according to the part name and color type.
2. Select the corresponding part number from the appropriate PAGE/GRID.
3. Parts marked "X" are unused.
4. "*" = Basic Part Number, no extension (i.e. ZA, ZB).

FSC600A'06 2006

No.	DESCRIPTION	COLOR CODE	PB358	A R E A
		BASE COLOR	Delta blue metallic PB358M	
		BASIC PART NO.		
1	ARM, L. PILLION STEP	50752-MCT-000	ZB	
2	ARM, R. PILLION STEP	50652-MCT-000	ZB	
3	CASE, L. (LOWER)	51521-MCT-911	ZB	
4	CASE, R. (LOWER)	51421-MCT-911	ZB	
5	COVER (INNER)	64311-MCT-680	ZG	
6	COVER SET, L. BODY (WL)	83500-MCT-691	ZS	
7	COVER SET, R. BODY (WL)	83400-MCT-691	ZS	
8	COVER SET, RR. BODY (WL)	83600-MCT-L20	ZA	
9	COVER, FR.	64301-MCT-020	ZS	
10	COVER, RR. (LOWER)	83611-MCT-000	ZW	
11	COVER, RR. SPOILER	77315-MCT-000	ZA	
12	FENDER, FR.	61103-MCT-940	ZM	
13	FORK ASSY., L. FR.	51500-MCT-911	ZA	
14	FORK ASSY., R. FR.	51400-MCT-911	ZA	
15	GARNISH, SCREEN	67111-MCT-030	ZS	
16	HOLDER, L. PILLION STEP	50763-MCT-000	ZA	
17	HOLDER, R. PILLION STEP	50663-MCT-770	ZC	
18	LABEL, COLOR	87565-MCT-L30	ZA	
19	LID SET, R. POCKET	64460-MCT-692	ZL	
20	LID, L. POCKET	64471-MCT-692	ZL	
21	MARK, PUSH	64467-MCT-690	ZA	
22	MARK, RR. BODY COVER	83602-MCT-L20	ZA	
23	SKIRT, L. FLOOR	50661-MCT-000	ZH	
24	SKIRT, R. FLOOR	50611-MCT-681	ZH	
25	SPOILER, RR.	77310-MCT-000	ZA	
26	WHEEL SUB-ASSY., FR.	44650-MCT-910	ZA	
27	WHEEL SUB-ASSY., RR.	42650-MCT-910	ZA	

COLOR TABLE

When ordering a colored part:

1. Confirm the color code for the required part from the color table according to the part name and color type.
2. Select the corresponding part number from the appropriate PAGE/GRID.
3. Parts marked "X" are unused.
4. "*" = Basic Part Number, no extension (i.e. ZA, ZB).

FSC600D'06 2006

No.	DESCRIPTION	COLOR CODE	PB358	A R E A
		BASE COLOR	Delta blue metallic PB358M	
		BASIC PART NO.		
1	ARM, L. PILLION STEP	50752-MCT-000	ZB	
2	ARM, R. PILLION STEP	50652-MCT-000	ZB	
3	COVER (INNER)	64311-MCT-680	ZG	
4	COVER SET, L. BODY (WL)	83500-MCT-691	ZS	
5	COVER SET, R. BODY (WL)	83400-MCT-691	ZS	
6	COVER SET, RR. BODY (WL)	83600-MCT-L20	ZA	
7	COVER, FR.	64301-MCT-020	ZS	
8	COVER, RR. (LOWER)	83611-MCT-000	ZW	
9	COVER, RR. SPOILER	77315-MCT-000	ZA	
10	FENDER, FR.	61100-MCT-000	ZQ	
11	GARNISH, SCREEN	67111-MCT-030	ZS	
12	HOLDER, L. PILLION STEP	50763-MCT-000	ZA	
13	HOLDER, R. PILLION STEP	50663-MCT-770	ZC	
14	LABEL, COLOR	87565-MCT-L20	ZA	
15	LID SET, R. POCKET	64460-MCT-692	ZL	
16	LID, L. POCKET	64471-MCT-692	ZL	
17	MARK, PUSH	64467-MCT-690	ZA	
18	MARK, RR. BODY COVER	83602-MCT-L20	ZA	
19	SKIRT, L. FLOOR	50661-MCT-000	ZH	
20	SKIRT, R. FLOOR	50611-MCT-681	ZH	
21	SPOILER, RR.	77310-MCT-000	ZA	
22	WHEEL SUB-ASSY., FR.	44650-MCT-030	ZA	
23	WHEEL SUB-ASSY., RR.	42650-MCT-010	ZA	

BULK HOSE PART NUMBER PATTERN

Construction of Fuel and Vacuum Hose Part Number

Example: 9 5 0 0 1 - 7 5 0 0 1 - 4 0 M

Roll Hose

All roll hose part numbers have an "M" in this position

Appearance Code

Fuel Hose:

- 2 = Red, braided exterior
- 3 = Red
- 4 = Ash Gray with red stripe
- 5 = Black, braided interior
- 6 = Black

Vinyl Hose:

- 1 = Ash Gray
- 2 = Black
- 3 = Light Red
- 6 = Light Red
- 7 = Pale Black

Vacuum Hose:

- 1 = Ash Gray
- 2 = Ash Gray
- 3 = Black
- 5 = Black

Length

Cut Hose length is in Millimeters (mm)

Bulk Hose length is in Meters (M)

Inside Diameter

Fuel and Vacuum Hose

- 35 = 3.5 mm
- 45 = 4.5 mm
- 50 = 5.0 mm
- 55 = 5.3 mm or 5.5 mm
- 65 = 6.5 mm
- 70 = 7.0 mm
- 75 = 7.3 mm or 7.5 mm
- 80 = 8.0 mm

11 = 11 mm

91 = 12 (outside dia. 15) mm

92 = 12 (outside dia. 16) mm

12 = 12 (outside dia. 17) mm

14 = 14 mm

17 = 17 mm

ID./OD. Code : Vinyl Hose

- | | | |
|--------------------------|----------------------------|----------------------------|
| 01 = ID. 2.9, OD. 6.8 mm | 14 = ID. 6.0, OD. 9.0 mm | 37 = ID. 11.0, OD. 15.0 mm |
| 03 = ID. 3.0, OD. 6.0 mm | 17 = ID. 7.0, OD. 9.0 mm | 38 = ID. 12.0, OD. 13.0 mm |
| 05 = ID. 3.5, OD. 6.5 mm | 19 = ID. 7.0, OD. 11.0 mm | 39 = ID. 12.0, OD. 14.0 mm |
| 07 = ID. 4.0, OD. 7.0 mm | 21 = ID. 8.0, OD. 9.0 mm | 40 = ID. 12.0, OD. 16.0 mm |
| 08 = ID. 4.5, OD. 6.5 mm | 23 = ID. 8.0, OD. 12.0 mm | 43 = ID. 13.0, OD. 15.0 mm |
| 09 = ID. 4.5, OD. 8.0 mm | 25 = ID. 9.0, OD. 11.0 mm | 45 = ID. 14.0, OD. 18.0 mm |
| 12 = ID. 5.0, OD. 7.0 mm | 27 = ID. 9.0, OD. 13.0 mm | 50 = ID. 16.0, OD. 19.0 mm |
| 10 = ID. 5.0, OD. 8.0 mm | 33 = ID. 10.0, OD. 14.0 mm | 55 = ID. 17.5, OD. 20.5 mm |
| 11 = ID. 5.0, OD. 9.0 mm | 36 = ID. 11.0, OD. 13.0 mm | 60 = ID. 22.0, OD. 27.0 mm |

Hose Type:

- 1 = Fuel Hose
- 3 = Vinyl Hose
- 5 = Vacuum Hose

CAUTION: Never use vacuum / or vinyl hose in place of fuel hose or vice versa

MASTER INDEX

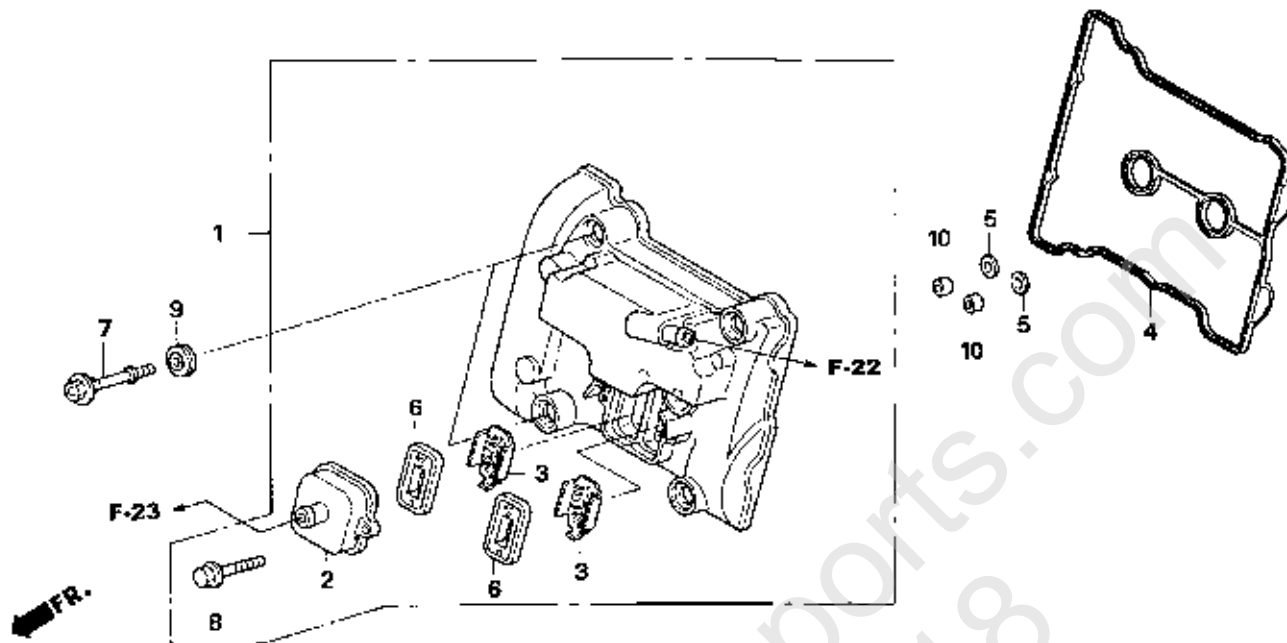
Title	Grid	Page	Title	Grid	Page
ENGINE SECTION			AIR INJECTION VALVE	1-E9	2-50
CYLINDER HEAD COVER	1-C1	1-2	EXHAUST MUFFLER	1-E9	2-51
CYLINDER HEAD	1-C1	1-3	STAND	1-E10	2-53
CAMSHAFT • VALVE	1-C2	1-5	REAR SHOCK ABSORBER	1-E11	2-55
CAM CHAIN • TENSIONER	1-C4	1-9	TURN SIGNAL	1-E12	2-56
CYLINDER	1-C5	1-10	TAILLIGHT • REAR FENDER	1-E12	2-57
WATER PUMP	1-C5	1-11	WIRE HARNESS	1-E13	2-59
RIGHT CRANKCASE COVER	1-C7	1-14	FRAME	1-E14	2-61
STARTING CLUTCH	1-C7	1-15	RADIATOR	1-E15	2-63
GENERATOR	1-C8	1-16	TOOLS	1-F1	2-66
OIL PUMP	1-C8	1-17	EVAP CANISTER	1-F1	2-67
STARTING MOTOR	1-C9	1-18	LABELS	1-F2	2-69
SWINGARM	1-C9	1-19	MARKS	1-F3	2-70
DRIVE FACE	1-C11	1-22			
DRIVEN FACE	1-C11	1-23			
TRANSMISSION	1-C12	1-25			
CRANKCASE	1-C13	1-27			
CRANKSHAFT • PISTON	1-C14	1-29			
BALANCER	1-C15	1-30			
THROTTLE BODY	1-C15	1-31			
FRAME SECTION					
HEADLIGHT	1-D1	2-2			
SPEEDOMETER	1-D1	2-3			
SWITCH • CABLE	1-D2	2-4			
FRONT BRAKE MASTER CYLINDER (FSC600A)	1-D2	2-5			
FRONT BRAKE MASTER CYLINDER (FSC600D)	1-D3	2-7			
REAR BRAKE MASTER	1-D4	2-9			
REAR BRAKE PIPE (FSC600A)	1-D5	2-11			
REAR BRAKE PIPE (FSC600D)	1-D6	2-13			
PARKING BRAKE	1-D7	2-15			
HANDLEBAR • HANDLE COVER	1-D8	2-16			
STEERING STEM	1-D9	2-18			
FRONT FENDER (FSC600A)	1-D9	2-19			
FRONT FENDER (FSC600D)	1-D10	2-20			
FRONT COVER	1-D10	2-21			
INNER BOX	1-D12	2-24			
CENTER COVER	1-D13	2-26			
BODY COVER	1-D14	2-28			
LUGGAGE BOX	1-D15	2-30			
FRONT FORK	1-D16	2-32			
FRONT BRAKE CALIPER	1-E1	2-34			
FRONT WHEEL	1-E2	2-36			
REAR BRAKE CALIPER	1-E3	2-38			
PARKING BRAKE CALIPER	1-E3	2-39			
REAR WHEEL	1-E4	2-40			
SEAT	1-E5	2-42			
FUEL TANK	1-E6	2-44			
BATTERY	1-E7	2-46			
AIR CLEANER	1-E8	2-48			

ENGINE SECTION
Chapter Table of Contents

Page Title	Grid	Page
CYLINDER HEAD COVER	1-C1	1-2
CYLINDER HEAD	1-C1	1-3
CAMSHAFT • VALVE	1-C2	1-5
CAM CHAIN • TENSIONER	1-C4	1-9
CYLINDER	1-C5	1-10
WATER PUMP	1-C5	1-11
RIGHT CRANKCASE COVER	1-C7	1-14
STARTING CLUTCH	1-C7	1-15
GENERATOR	1-C8	1-16
OIL PUMP	1-C8	1-17
STARTING MOTOR	1-C9	1-18
SWINGARM	1-C9	1-19
DRIVE FACE	1-C11	1-22
DRIVEN FACE	1-C11	1-23
TRANSMISSION	1-C12	1-25
CRANKCASE	1-C13	1-27
CRANKSHAFT • PISTON	1-C14	1-29
BALANCER	1-C15	1-30
THROTTLE BODY	1-C15	1-31

World of Powersports.com
800-407-7218

CYLINDER HEAD COVER



MCTA-E0100

MCTAE0100

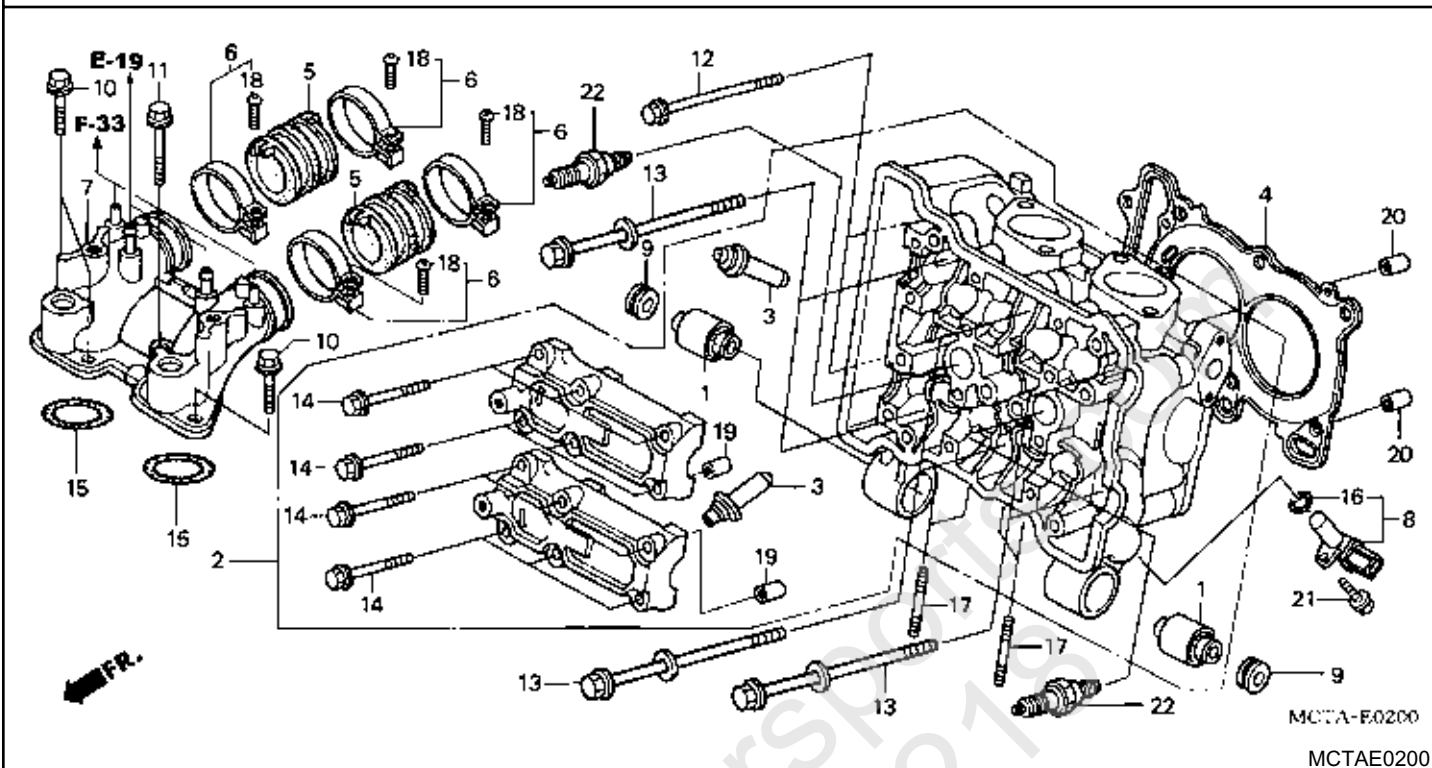
A6=FSC600A'06
B6=FSC600D'06

E-1

Engine
Serial Number

Ref	Description	Model	From	To	QTY	Part Number	H/C
1	COVER ASSY., CYLINDER HEAD	A6 B6	-----	-----	1	12310-MCT-010	7054570
2	COVER, REED VALVE	A6 B6	-----	-----	1	12331-MAT-750	5212386
3	PLATE, PORT (AI)	A6 B6	-----	-----	2	12341-MAT-750	5212394
4	GASKET, HEAD COVER	A6 B6	-----	-----	1	12391-MCT-000	6958136
5	GASKET C, HEAD COVER	A6 B6	-----	-----	2	12396-MBG-000	5738711
6	VALVE, REED (NOK)	A6 B6	-----	-----	2	18601-GEE-711	6959050
7	BOLT, HEAD COVER	A6 B6	-----	-----	4	90002-MY5-850	5033683
8	BOLT, FLANGE (6X20)	A6 B6	-----	-----	2	90020-ZC3-000	2734820
9	RUBBER, SETTING	A6 B6	-----	-----	4	90543-MV9-670	3699139
10	PIN A, DOWEL (10X16)	A6 B6	-----	-----	2	94301-10160	0058206

CYLINDER HEAD



MCTA-E0200
MCTAE0200

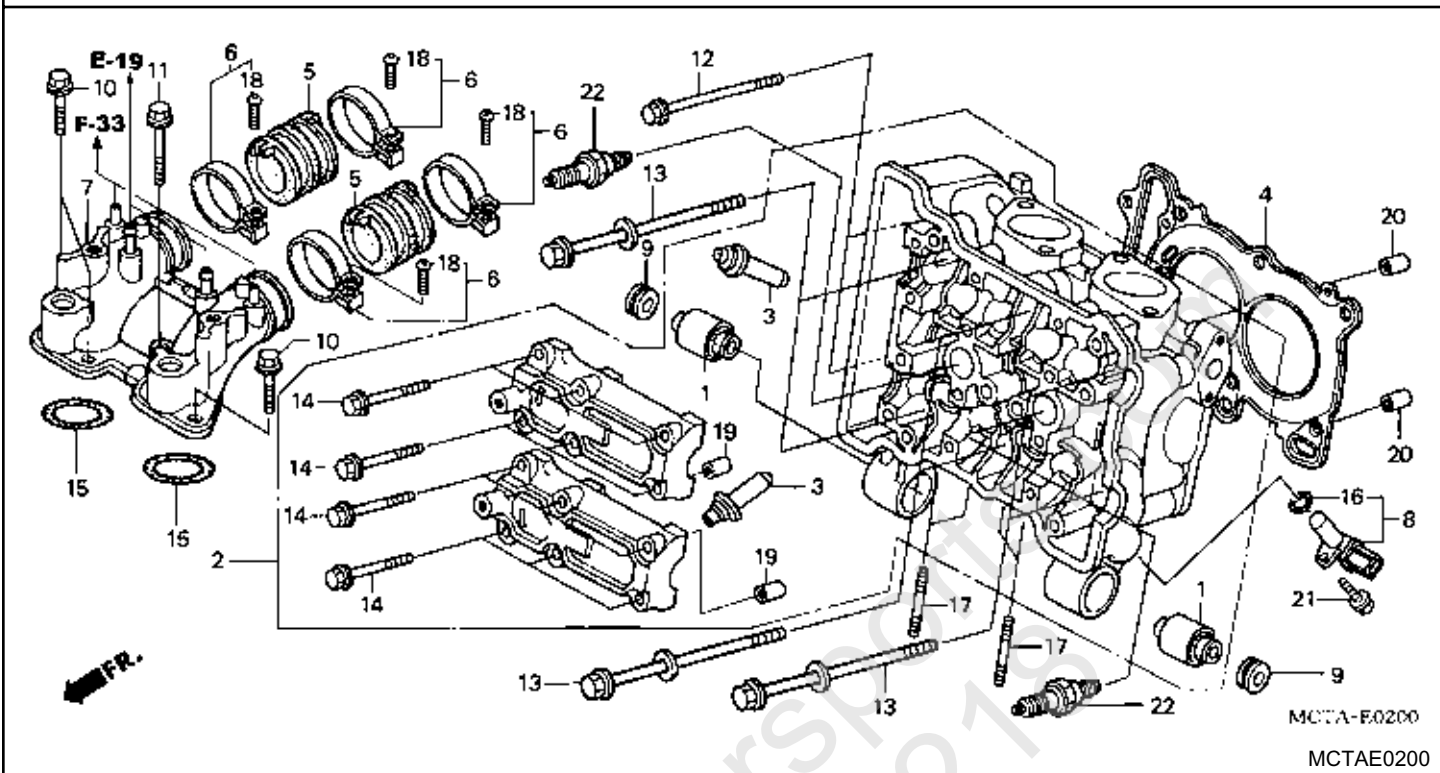
A6=FSC600A'06
B6=FSC600D'06

E-2

Engine
Serial Number

Ref	Description	Model	From	To	QTY	Part Number	H/C
1	RUBBER A, MOUNT	A6 B6	-----	-----	2	11110-MCT-941	7396096
2	CYLINDER HEAD SET.....	A6 B6	-----	-----	1	12011-MCT-940	7396237
3	GUIDE, VALVE (OS)	A6 B6	-----	-----	8	12204-MT4-305	3465291
4	GASKET, CYLINDER HEAD	A6 B6	-----	-----	1	12251-MCT-003	6958110
5	INSULATOR, THROTTLE BODY	A6 B6	-----	-----	2	16210-MCT-000	6958557
6	BAND, INSULATOR.....	A6 B6	-----	-----	4	16218-MCT-000	6958565
7	PIPE, INLET	A6 B6	-----	-----	1	17110-MCT-680	7054638
8	PULSER ASSY., CAM	A6 B6	-----	-----	1	36140-MCT-003	6959951
9	RUBBER C, MOUNT	A6 B6	-----	-----	2	50203-MCT-000	6960561
10	BOLT, FLANGE (6X20) (NSHF).....	A6 B6	-----	-----	3	90004-GHB-650	6374938
11	BOLT, FLANGE (6X40) (NSHF).....	A6 B6	-----	-----	1	90004-GHB-710	4774212
12	BOLT, FLANGE (6X110) (NSHF).....	A6 B6	-----	-----	2	90004-GHB-840	6374953
13	BOLT-WASHER (9X155)	A6 B6	-----	-----	6	90007-MCT-000	6962070
14	BOLT, FLANGE (6X45.5).....	A6 B6	-----	-----	12	90017-MA6-000	1375401
15	O-RING (37X2).....	A6 B6	-----	-----	2	91304-MCT-003	6962450
16	O-RING (16X2.1)	A6 B6	-----	-----	1	91309-PX4-003	3301793
17	BOLT 2, STUD (6X22)	A6 B6	-----	-----	4	92900-06022-0E	2545176
18	SCREW, PAN (5X28).....	A6 B6	-----	-----	4	93500-05028-0G	0923821

CYLINDER HEAD



MCTA-E0200
MCTAE0200

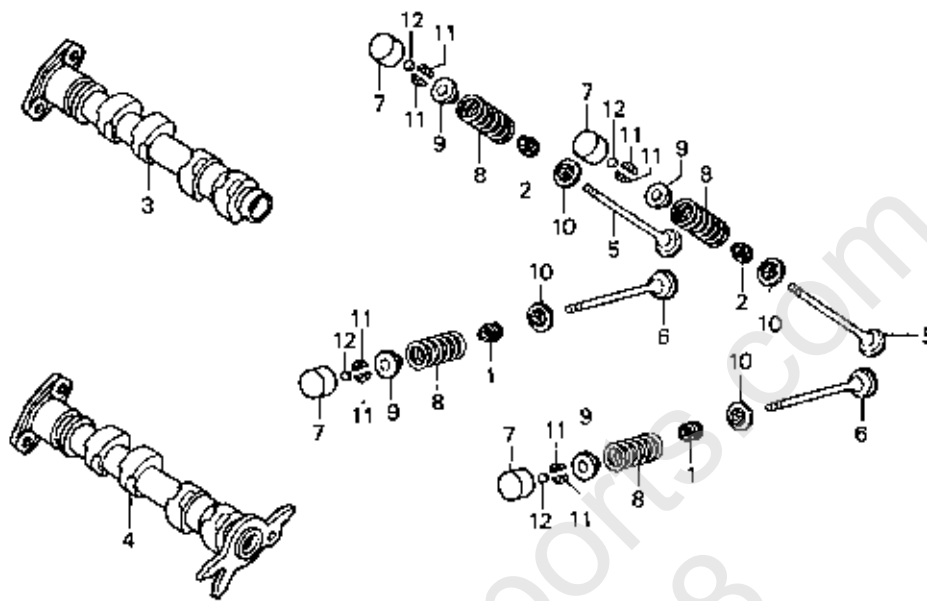
A6=FSC600A'06
B6=FSC600D'06

E-2

Engine
Serial Number

Ref	Description	Model	From	To	QTY	Part Number	H/C
19	PIN A, DOWEL (8X14)	A6 B6	-----	-----	4	94301-08140	0069310
20	PIN A, DOWEL (12X20)	A6 B6	-----	-----	2	94301-12200	0165324
21	BOLT, FLANGE (6X18)	A6 B6	-----	-----	1	95701-06018-00	2410900
22	SPARK PLUG (CR8EH9) (NGK)	A6 B6	-----	-----	2	98059-58916	2909596
	SPARK PLUG (U24FER9) (DENSO)	A6 B6	-----	-----	2	98059-58926	2909604
	SPARK PLUG (CR9EH9) (NGK)	A6 B6	-----	-----	2	98059-59910	2909612
	SPARK PLUG (CR9EH9) (NGK)	A6 B6	-----	-----	2	98059-59916	2909620
	SPARK PLUG (U27FER9) (DENSO)	A6 B6	-----	-----	2	98059-59926	2909646

CAMSHAFT • VALVE



MCTA-E1E300

MCTAE0300

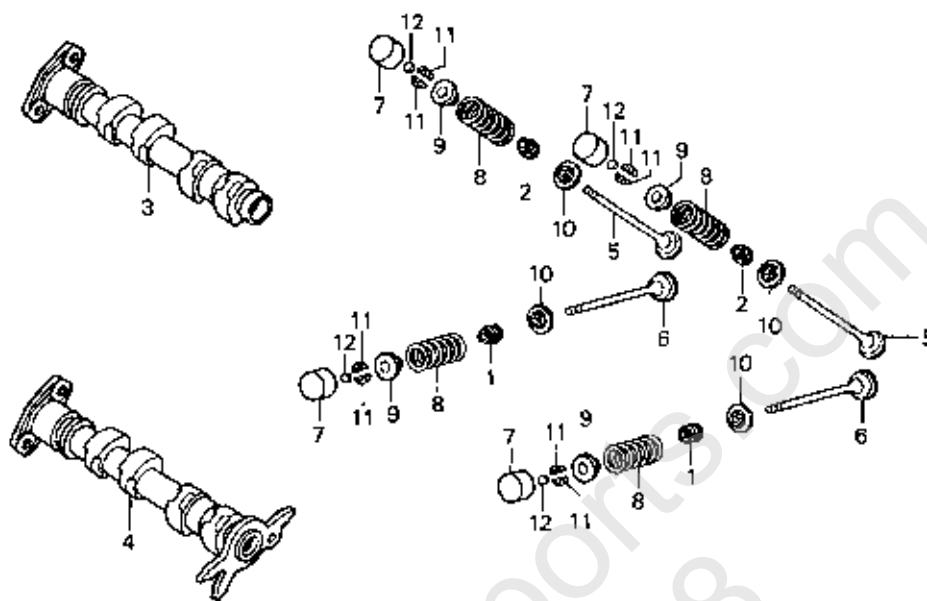
A6=FSC600A'06
B6=FSC600D'06

E-3

Engine
Serial Number

Ref	Description	Model	From	To	QTY	Part Number	H/C
1	SEAL, EX. VALVE STEM (ARAI)	A6 B6	-----	-----	4	12208-ML0-721	3465309
2	SEAL, VALVE STEM (ARAI)	A6 B6	-----	-----	4	12209-ML0-722	2905024
3	CAMSHAFT, IN.	A6 B6	-----	-----	1	14110-MCT-000	6958292
4	CAMSHAFT, EX.	A6 B6	-----	-----	1	14120-MCT-000	6958300
5	VALVE, IN.	A6 B6	-----	-----	4	14711-MCT-000	6958375
6	VALVE, EX.	A6 B6	-----	-----	4	14721-MCT-000	6958383
7	LIFTER, VALVE	A6 B6	-----	-----	8	14731-MT4-000	3465705
8	SPRING, VALVE (NIPPON)	A6 B6	-----	-----	8	14751-MCT-003	6958391
9	RETAINER, VALVE SPRING	A6 B6	-----	-----	8	14771-KW3-900	3410990
10	SEAT, VALVE SPRING	A6 B6	-----	-----	8	14775-PM3-000	2690048
11	COTTER, VALVE	A6 B6	-----	-----	16	14781-ML0-720	2905271
12	SHIM, TAPPET (1.200)	A6 B6	-----	-----	8	14901-KT7-013	4064283
	SHIM, TAPPET (1.225)	A6 B6	-----	-----	8	14902-KT7-013	4105565
	SHIM, TAPPET (1.250)	A6 B6	-----	-----	8	14903-KT7-013	4105573
	SHIM, TAPPET (1.275)	A6 B6	-----	-----	8	14904-KT7-013	4105581
	SHIM, TAPPET (1.300)	A6 B6	-----	-----	8	14905-KT7-013	4105599
	SHIM, TAPPET (1.325)	A6 B6	-----	-----	8	14906-KT7-013	4105607
	SHIM, TAPPET (1.350)	A6 B6	-----	-----	8	14907-KT7-013	4105615

CAMSHAFT • VALVE



MCTA-E1E300

MCTAE0300

A6=FSC600A'06
B6=FSC600D'06

E-3

Engine
Serial Number

Ref	Description	Model	From	To	QTY	Part Number	H/C
12	SHIM, TAPPET (1.375)	A6 B6	-----	-----	8	14908-KT7-013	4105623
	SHIM, TAPPET (1.400)	A6 B6	-----	-----	8	14909-KT7-013	4105631
	SHIM, TAPPET (1.425)	A6 B6	-----	-----	8	14910-KT7-013	4105649
	SHIM, TAPPET (1.450)	A6 B6	-----	-----	8	14911-KT7-013	4105656
	SHIM, TAPPET (1.475)	A6 B6	-----	-----	8	14912-KT7-013	4105664
	SHIM, TAPPET (1.500)	A6 B6	-----	-----	8	14913-KT7-013	4105672
	SHIM, TAPPET (1.525)	A6 B6	-----	-----	8	14914-KT7-013	4105680
	SHIM, TAPPET (1.550)	A6 B6	-----	-----	8	14915-KT7-013	4105698
	SHIM, TAPPET (1.575)	A6 B6	-----	-----	8	14916-KT7-013	4105706
	SHIM, TAPPET (1.600)	A6 B6	-----	-----	8	14917-KT7-013	4105714
	SHIM, TAPPET (1.625)	A6 B6	-----	-----	8	14918-KT7-013	4105722
	SHIM, TAPPET (1.650)	A6 B6	-----	-----	8	14919-KT7-013	4105730
	SHIM, TAPPET (1.675)	A6 B6	-----	-----	8	14920-KT7-013	4105748
	SHIM, TAPPET (1.700)	A6 B6	-----	-----	8	14921-KT7-013	4105755
	SHIM, TAPPET (1.725)	A6 B6	-----	-----	8	14922-KT7-013	4105763
	SHIM, TAPPET (1.750)	A6 B6	-----	-----	8	14923-KT7-013	4105771
	SHIM, TAPPET (1.775)	A6 B6	-----	-----	8	14924-KT7-013	4105789
	SHIM, TAPPET (1.800)	A6 B6	-----	-----	8	14925-KT7-013	4105797

CAMSHAFT • VALVE

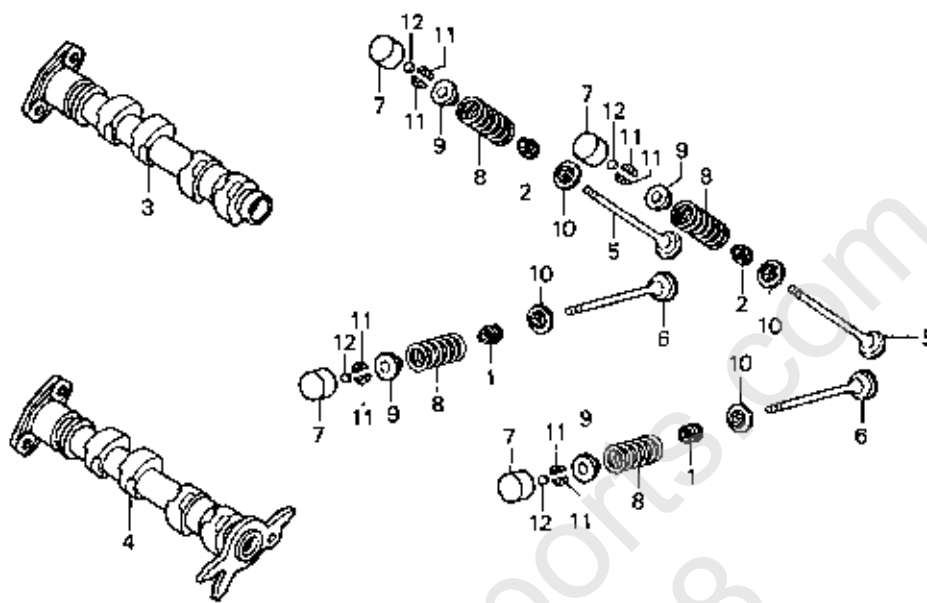
A6=FSC600A'06
B6=FSC600D'06

E-3

Engine
Serial Number

Ref	Description	Model	From	To	QTY	Part Number	H/C
12	SHIM, TAPPET (1.825)	A6 B6	-----	-----	8	14926-KT7-013	4105805
	SHIM, TAPPET (1.850)	A6 B6	-----	-----	8	14927-KT7-013	4105813
	SHIM, TAPPET (1.875)	A6 B6	-----	-----	8	14928-KT7-013	4105821
	SHIM, TAPPET (1.900)	A6 B6	-----	-----	8	14929-KT7-013	4105839
	SHIM, TAPPET (1.925)	A6 B6	-----	-----	8	14930-KT7-013	4105847
	SHIM, TAPPET (1.950)	A6 B6	-----	-----	8	14931-KT7-013	4105854
	SHIM, TAPPET (1.975)	A6 B6	-----	-----	8	14932-KT7-013	4105862
	SHIM, TAPPET (2.000)	A6 B6	-----	-----	8	14933-KT7-013	4105870
	SHIM, TAPPET (2.025)	A6 B6	-----	-----	8	14934-KT7-013	4105888
	SHIM, TAPPET (2.050)	A6 B6	-----	-----	8	14935-KT7-013	4105896
	SHIM, TAPPET (2.075)	A6 B6	-----	-----	8	14936-KT7-013	4105904
	SHIM, TAPPET (2.100)	A6 B6	-----	-----	8	14937-KT7-013	4105912
	SHIM, TAPPET (2.125)	A6 B6	-----	-----	8	14938-KT7-013	4105920
	SHIM, TAPPET (2.150)	A6 B6	-----	-----	8	14939-KT7-013	4105938
	SHIM, TAPPET (2.175)	A6 B6	-----	-----	8	14940-KT7-013	4105946
	SHIM, TAPPET (2.200)	A6 B6	-----	-----	8	14941-KT7-013	4105953
	SHIM, TAPPET (2.225)	A6 B6	-----	-----	8	14942-KT7-013	4105961
	SHIM, TAPPET (2.250)	A6 B6	-----	-----	8	14943-KT7-013	4105979
	SHIM, TAPPET (2.275)	A6 B6	-----	-----	8	14944-KT7-013	4105987
	SHIM, TAPPET (2.300)	A6 B6	-----	-----	8	14945-KT7-013	4105995
	SHIM, TAPPET (2.325)	A6 B6	-----	-----	8	14946-KT7-013	4106001
	SHIM, TAPPET (2.350)	A6 B6	-----	-----	8	14947-KT7-013	4106019
	SHIM, TAPPET (2.375)	A6 B6	-----	-----	8	14948-KT7-013	4106027
	SHIM, TAPPET (2.400)	A6 B6	-----	-----	8	14949-KT7-013	4106035
	SHIM, TAPPET (2.425)	A6 B6	-----	-----	8	14950-KT7-013	4106043
	SHIM, TAPPET (2.450)	A6 B6	-----	-----	8	14951-KT7-013	4106050
	SHIM, TAPPET (2.475)	A6 B6	-----	-----	8	14952-KT7-013	4106068
	SHIM, TAPPET (2.500)	A6 B6	-----	-----	8	14953-KT7-013	4106076
	SHIM, TAPPET (2.525)	A6 B6	-----	-----	8	14954-KT7-013	4106084
	SHIM, TAPPET (2.550)	A6 B6	-----	-----	8	14955-KT7-013	4106092
	SHIM, TAPPET (2.575)	A6 B6	-----	-----	8	14956-KT7-013	4106100
	SHIM, TAPPET (2.600)	A6 B6	-----	-----	8	14957-KT7-013	4106118
	SHIM, TAPPET (2.625)	A6 B6	-----	-----	8	14958-KT7-013	4106126
	SHIM, TAPPET (2.650)	A6 B6	-----	-----	8	14959-KT7-013	4106134

CAMSHAFT • VALVE



MCTA-E1E300

MCTAE0300

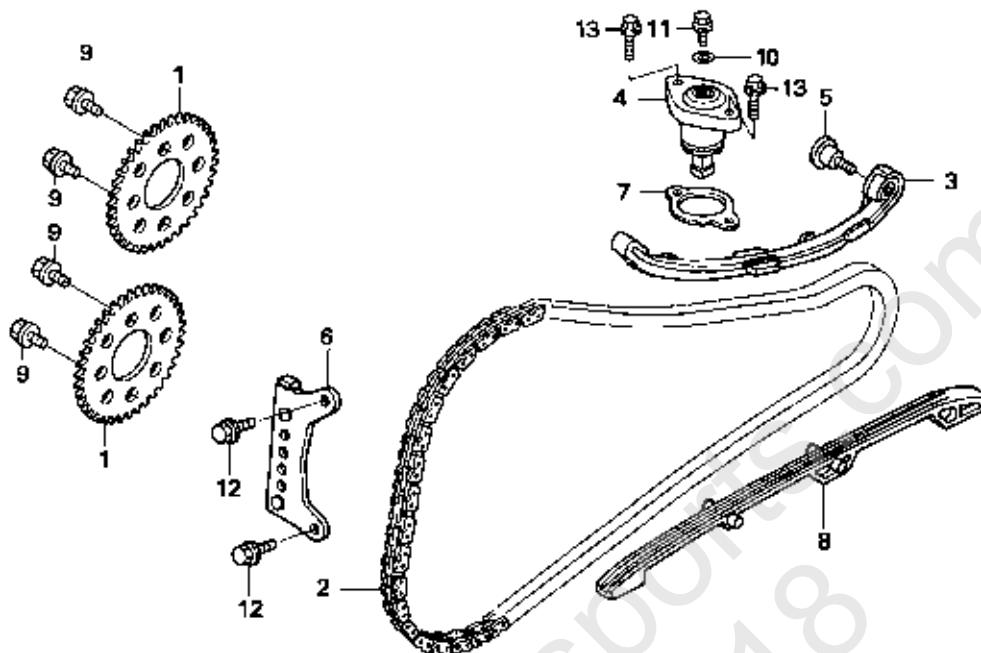
A6=FSC600A'06
B6=FSC600D'06

E-3

Engine
Serial Number

Ref	Description	Model	From	To	QTY	Part Number	H/C
12	SHIM, TAPPET (2.675)	A6 B6	-----	-----	8	14960-KT7-013	4106142
	SHIM, TAPPET (2.700)	A6 B6	-----	-----	8	14961-KT7-013	4106159
	SHIM, TAPPET (2.725)	A6 B6	-----	-----	8	14962-KT7-013	4106167
	SHIM, TAPPET (2.750)	A6 B6	-----	-----	8	14963-KT7-013	4106175
	SHIM, TAPPET (2.775)	A6 B6	-----	-----	8	14964-KT7-013	4106183
	SHIM, TAPPET (2.800)	A6 B6	-----	-----	8	14965-KT7-013	4106191
	SHIM, TAPPET (2.825)	A6 B6	-----	-----	8	14966-KT7-013	3916574
	SHIM, TAPPET (2.850)	A6 B6	-----	-----	8	14967-KT7-013	3916590
	SHIM, TAPPET (2.875)	A6 B6	-----	-----	8	14968-KT7-013	3916608
	SHIM, TAPPET (2.900)	A6 B6	-----	-----	8	14969-KT7-013	4106209

CAM CHAIN • TENSIONER



MCTA 60400

MCTAE0400

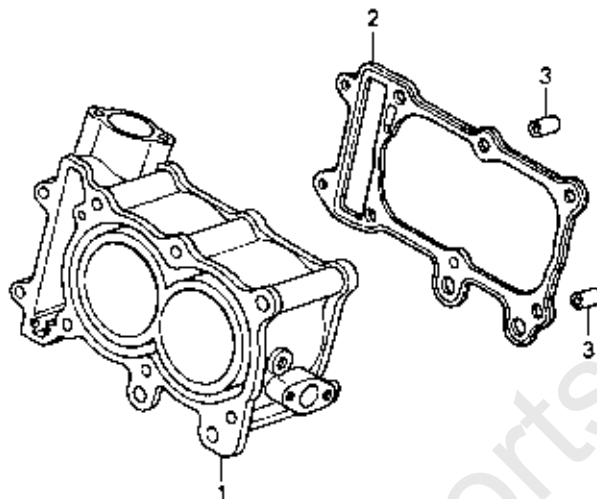
A6=FSC600A'06
B6=FSC600D'06

E-4

Engine
Serial Number

Ref	Description	Model	From	To	QTY	Part Number	H/C
1	SPROCKET, CAM (38T)	A6 B6	-----	-----	2	14321-MCT-000	6958318
2	CHAIN, CAM (138L) (BORG WARNER)	A6 B6	-----	-----	1	14401-MCT-003	6958326
3	TENSIONER, CAM CHAIN.....	A6 B6	-----	-----	1	14510-MCT-000	6958334
4	LIFTER, TENSIONER	A6 B6	-----	-----	1	14520-MY5-851	5710058
5	BOLT, TENSIONER PIVOT	A6 B6	-----	-----	1	14531-MCT-000	6958342
6	GUIDE B, CAM CHAIN.....	A6 B6	-----	-----	1	14546-MCT-000	6958359
7	GASKET, TENSIONER LIFTER.....	A6 B6	-----	-----	1	14560-KCW-851	5973078
8	GUIDE A, CAM CHAIN.....	A6 B6	-----	-----	1	14620-MCT-000	6958367
9	BOLT, FLANGE KNOCK (7X10.5)	A6 B6	-----	-----	4	90082-HA0-000	1824291
10	WASHER, SEALING (6MM).....	A6 B6	-----	-----	1	90442-397-000	0687616
11	BOLT, FLANGE (6X10)	A6 B6	-----	-----	1	95701-06010-00	2410876
12	BOLT, FLANGE (6X14)	A6 B6	-----	-----	2	95701-06014-00	2410884
13	BOLT, FLANGE (6X25)	A6 B6	-----	-----	2	95701-06025-00	2105831

CYLINDER



MCTA E0500

MCTAE0500

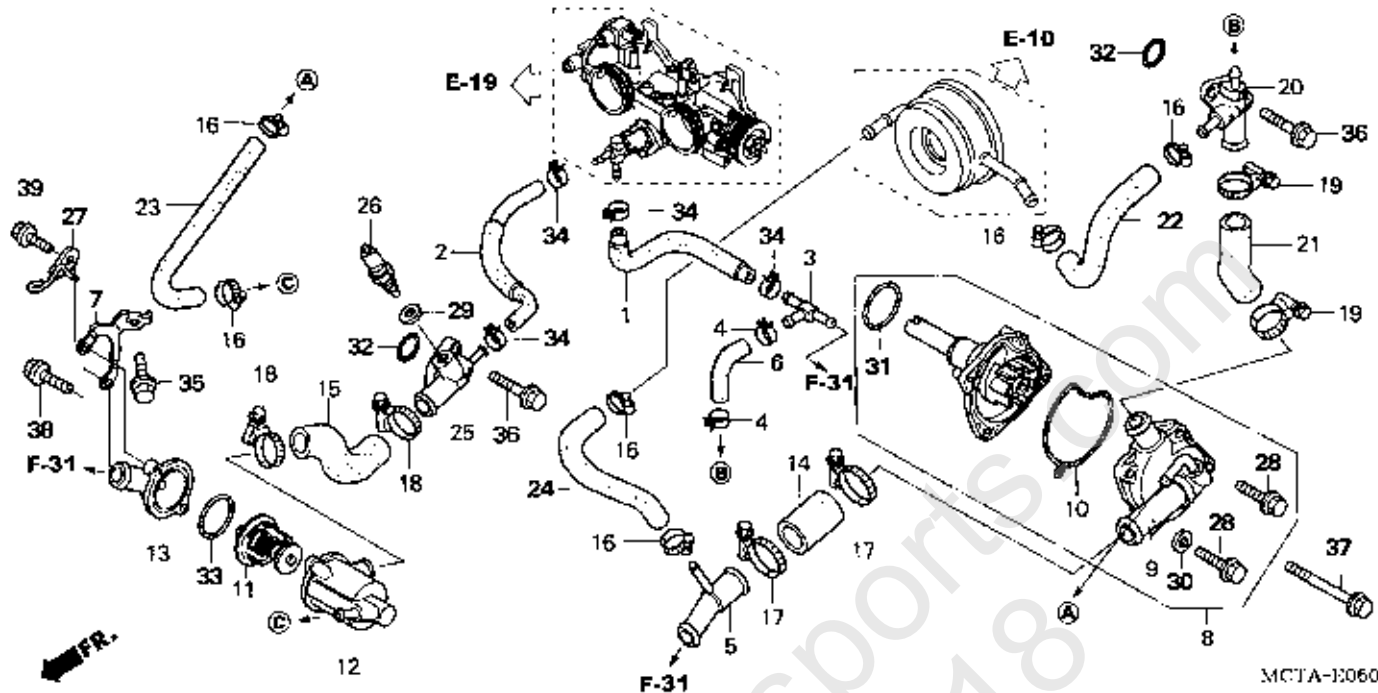
A6=FSC600A'06
B6=FSC600D'06

E-5

Engine
Serial Number

Ref	Description	Model	From	To	QTY	Part Number	H/C
1	CYLINDER	A6 B6	-----	-----	1	12100-MCT-000	6958094
2	GASKET, CYLINDER.....	A6 B6	-----	-----	1	12191-MCT-003	6958102
3	PIN A, DOWEL (12X20)	A6 B6	-----	-----	2	94301-12200	0165324

WATER PUMP



MCTA-E0600

MCTAE0600

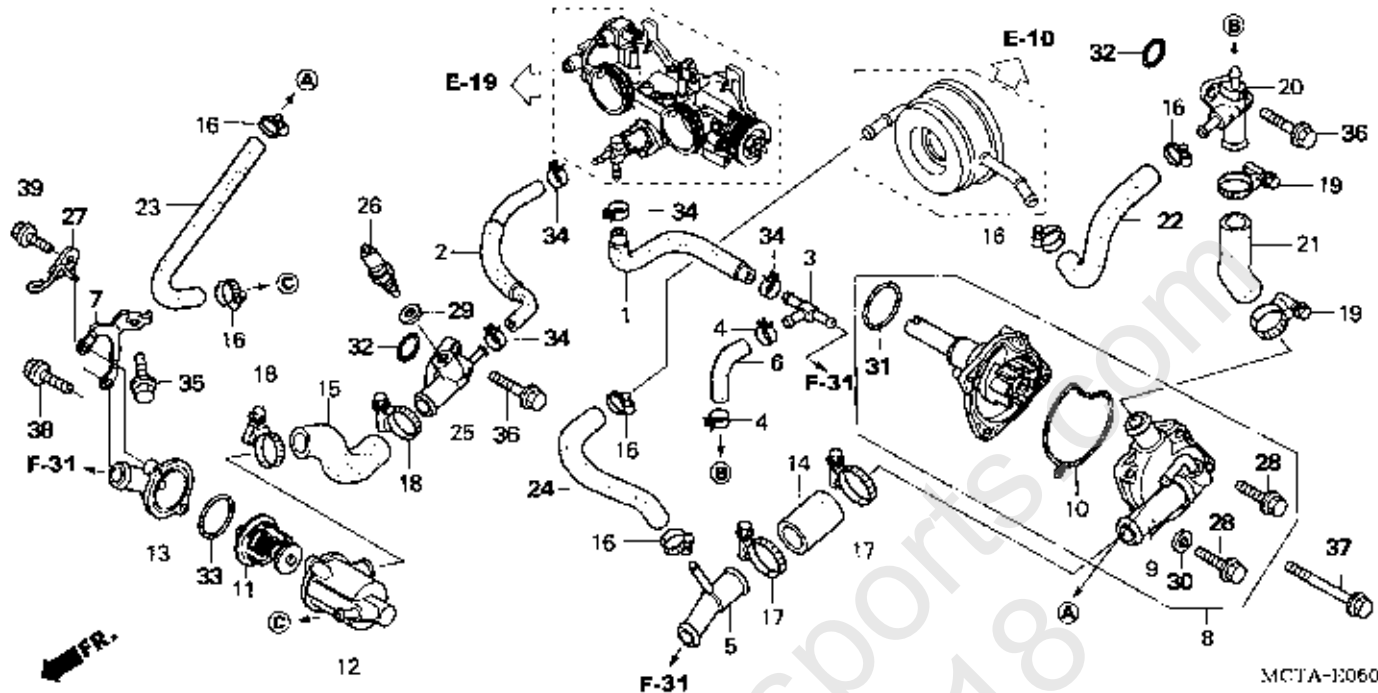
A6=FSC600A'06
B6=FSC600D'06

E-6

Engine
Serial Number

Ref	Description	Model	From	To	QTY	Part Number	H/C
1	TUBE A, WATER	A6 B6	-----	-----	1	16191-MCT-010	6958508
2	TUBE, WATER	A6 B6	-----	-----	1	16192-MCT-000	6958516
3	JOINT (THREE-WAY)	A6 B6	-----	-----	1	16961-MCT-010	6958649
4	CLIP, FUEL HOSE	A6 B6	-----	-----	2	16969-MB1-000	1244383
5	JOINT (THREE-WAY)	A6 B6	-----	-----	1	19127-MCT-000	6959159
6	TUBE C, WATER	A6 B6	-----	-----	1	19129-MCT-000	6959175
7	STAY, THERMOSTAT	A6 B6	-----	-----	1	19130-MCT-000	6959183
8	WATER PUMP	A6 B6	-----	-----	1	19200-MEF-305	8199143
9	COVER, WATER PUMP.....	A6 B6	-----	-----	1	19220-MCT-000	6959217
10	GASKET, WATER PUMP COVER.....	A6 B6	-----	-----	1	19226-MEF-J00	8199150
11	THERMOSTAT	A6 B6	-----	-----	1	19300-MBT-003	6428387
12	CASE, THERMOSTAT	A6 B6	-----	-----	1	19310-MCT-000	6959233
13	COVER, THERMOSTAT	A6 B6	-----	-----	1	19315-MCT-000	6959241
14	HOSE A, WATER	A6 B6	-----	-----	1	19503-MCT-000	6959282
15	HOSE B, WATER	A6 B6	-----	-----	1	19504-MCT-000	6959290
16	CLAMP, WATER HOSE (A)	A6 B6	-----	-----	6	19505-KS6-700	2462182
17	CLAMP, HOSE (30-37).....	A6 B6	-----	-----	2	19516-GAG-003	3822319
18	CLAMP, HOSE (24-32).....	A6 B6	-----	-----	2	19516-ML7-691	3991437

WATER PUMP



MCTA-100600

MCTAE0600

A6=FSC600A'06
B6=FSC600D'06

E-6

Engine
Serial Number

Ref	Description	Model	From	To	QTY	Part Number	H/C
19	CLAMP, HOSE (22-29).....	A6 B6	-----	-----	2	19517-ML7-691	3939634
20	JOINT, WATER (A).....	A6 B6	-----	-----	1	19520-MCT-000	6959316
21	HOSE A, WATER.....	A6 B6	-----	-----	1	19525-MCT-000	6959324
22	HOSE A, OIL COOLER.....	A6 B6	-----	-----	1	19526-MCT-010	7925829
23	HOSE, WATER BYPASS.....	A6 B6	-----	-----	1	19527-MCT-000	6959340
24	HOSE B, OIL COOLER.....	A6 B6	-----	-----	1	19528-MEF-010	7925837
25	JOINT, WATER (B).....	A6 B6	-----	-----	1	19530-MCT-000	6959365
26	SENSOR ASSY., WATER TEMPERATURE	A6 B6	-----	-----	1	37870-MBG-003	5774591
27	STOPPER, CANISTER TUBE.....	A6 B6	-----	-----	1	50232-MCT-680	7054844
28	BOLT, FLANGE (6X25).....	A6 B6	-----	-----	2	90121-MV9-670	3705852
29	WASHER, SPECIAL (12MM).....	A6 B6	-----	-----	1	90454-MC7-000	1210848
30	WASHER, SEALING (6.5MM).....	A6 B6	-----	-----	1	90463-ML7-000	2408680
31	O-RING (32.95X2.62) (ARAI).....	A6 B6	-----	-----	1	91302-MB0-013	1435114
32	O-RING (23X2.4).....	A6 B6	-----	-----	2	91304-MCP-900	6983019
33	O-RING (47.5X2).....	A6 B6	-----	-----	1	91311-KE8-000	1400258
34	CLIP, TUBE.....	A6 B6	-----	-----	4	95002-41000-08	0660829
35	BOLT, FLANGE (6X12).....	A6 B6	-----	-----	1	95701-06012-00	2105799
36	BOLT, FLANGE (6X20).....	A6 B6	-----	-----	4	95701-06020-00	2105815

WATER PUMP

A6=FSC600A'06
B6=FSC600D'06

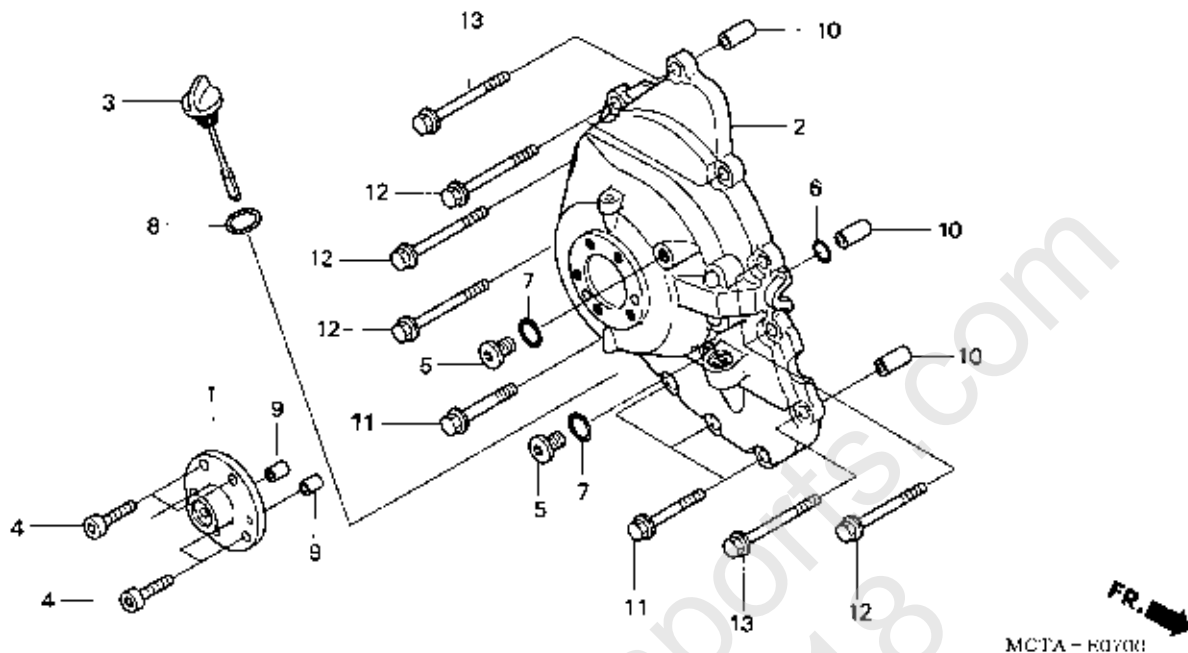
E-6

Engine
Serial Number

Ref	Description	Model	From	To	QTY	Part Number	H/C
37	BOLT, FLANGE (6X40)	A6 B6	-----	-----	2	95701-06040-00	2410942
38	BOLT, FLANGE (6X20)	A6 B6	-----	-----	1	96001-06020-00	2529154
39	BOLT, FLANGE (6X25)	A6 B6	-----	-----	1	96001-06025-00	2105989

World of Powersports.com
800-407-7218

RIGHT CRANKCASE COVER



MCTAE0700

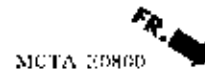
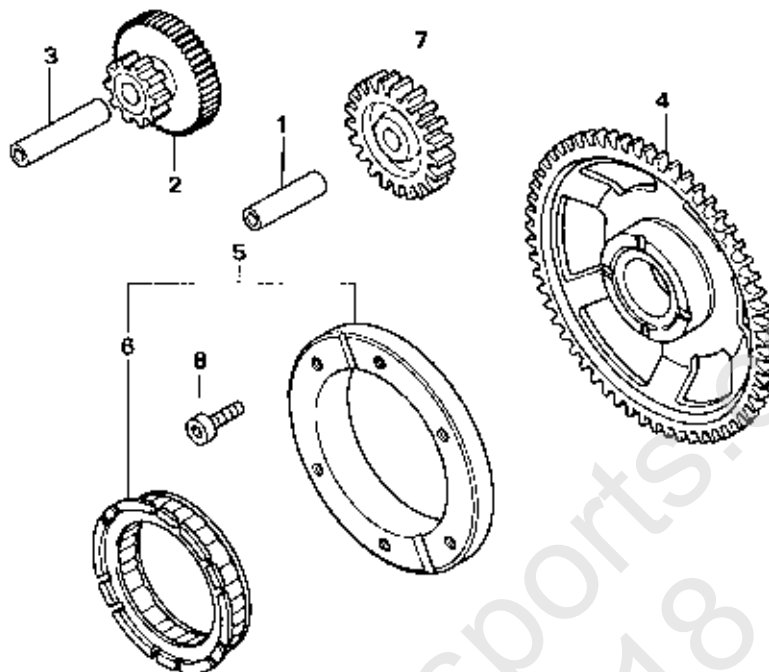
A6=FSC600A'06
B6=FSC600D'06

E-7

Engine
Serial Number

Ref	Description	Model	From	To	QTY	Part Number	H/C
1	PIVOT, R. SWINGARM	A6 B6	-----	-----	1	11325-MCT-010	7396179
2	COVER, R.	A6 B6	-----	-----	1	11330-MCT-010	7284854
3	DIPSTICK, OIL	A6 B6	-----	-----	1	15650-MCT-000	6958441
4	BOLT, SOCKET (8X22)	A6 B6	-----	-----	5	90010-MCT-000	6962088
5	CAP (14MM)	A6 B6	-----	-----	2	90084-MN8-010	2956241
6	O-RING (9.8X1.9)	A6 B6	-----	-----	1	91301-PM5-A01	2710820
	O-RING (9.8MM)	A6 B6	-----	-----	1	91302-PJ4-000	2426435
	O-RING (9.6X1.9) (ARAI)	A6 B6	-----	-----	1	91302-PJ4-004	2143055
	O-RING (9.8X1.9)	A6 B6	-----	-----	1	91305-PE2-003	1869478
7	O-RING (13.8X2.5)	A6 B6	-----	-----	2	91303-377-000	0499525
8	O-RING (18X3)	A6 B6	-----	-----	1	91307-035-000	0174961
9	PIN A, DOWEL (8X10)	A6 B6	-----	-----	2	94301-08100	0081711
10	PIN A, DOWEL (10X16)	A6 B6	-----	-----	3	94301-10160	0058206
11	BOLT, FLANGE (6X30)	A6 B6	-----	-----	4	95701-06030-00	2401222
12	BOLT, FLANGE (8X35)	A6 B6	-----	-----	6	95701-08035-00	2724029
13	BOLT, FLANGE (8X40)	A6 B6	-----	-----	2	95701-08040-00	2298404

STARTING CLUTCH



MCTAE0800

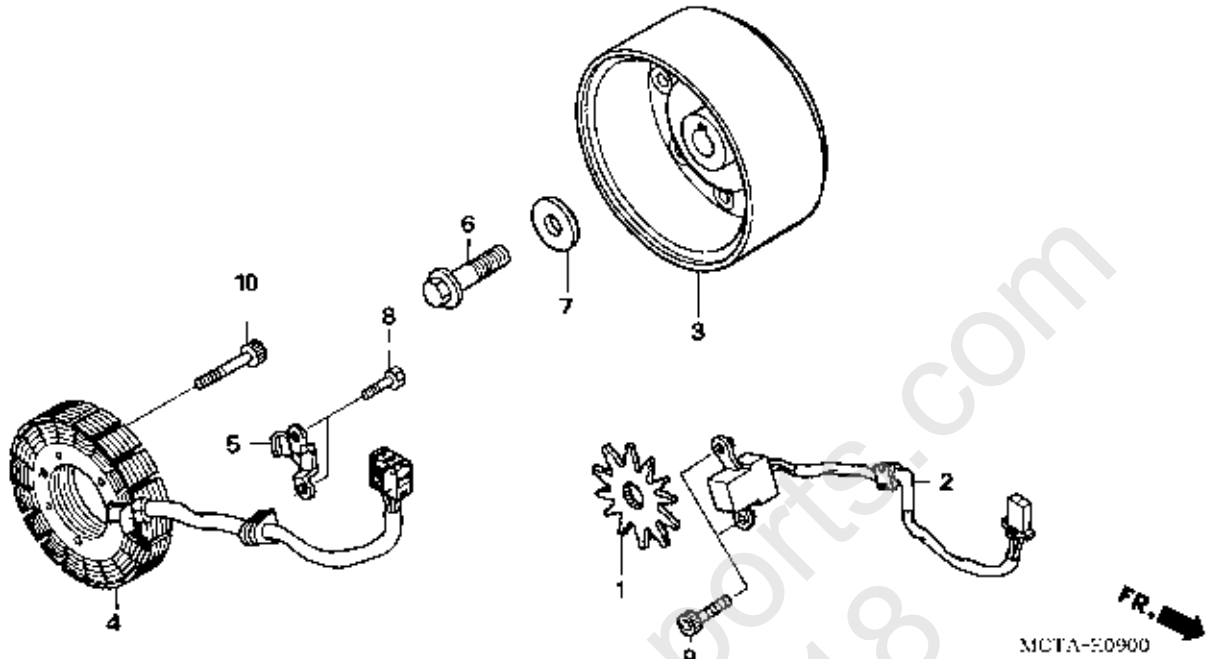
A6=FSC600A'06
B6=FSC600D'06

E-8

Engine
Serial Number

Ref	Description	Model	From	To	QTY	Part Number	H/C
1	PIN, PISTON (10X33).....	A6 B6	-----	-----	1	13111-GK8-000	1709104
	PIN, PISTON	A6 B6	-----	-----	1	13111-GS7-000	2754323
	PIN, PISTON (10X33).....	A6 B6	-----	-----	1	13111-122-000	0360024
2	GEAR, STARTER REDUCTION (50/10T) ..	A6 B6	-----	-----	1	28101-MCT-000	6959563
3	PIN (10X44)	A6 B6	-----	-----	1	28102-ME9-000	1368737
4	GEAR, STARTING DRIVEN (59T)	A6 B6	-----	-----	1	28110-MCT-010	6959571
5	CLUTCH ASSY., STARTING (OUTER)	A6 B6	-----	-----	1	28125-MCT-003	6959589
6	CLUTCH, ONE-WAY	A6 B6	-----	-----	1	28126-MCT-003	6959597
7	GEAR, STARTER IDLE (21T)	A6 B6	-----	-----	1	28131-MCT-000	6959605
8	BOLT, SOCKET (8MM)	A6 B6	-----	-----	6	90010-MAY-000	4983243

GENERATOR



MCTAE0900

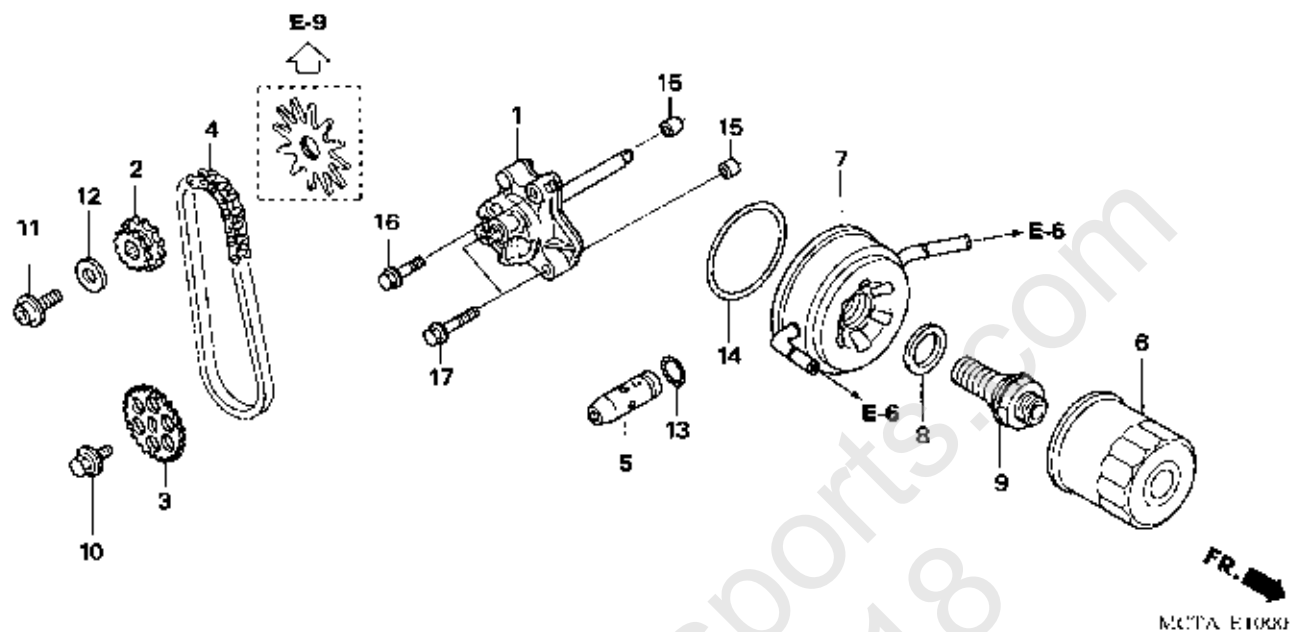
A6=FSC600A'06
B6=FSC600D'06

E-9

Engine
Serial Number

Ref	Description	Model	From	To	QTY	Part Number	H/C
1	ROTOR, PULSER	A6 B6	-----	-----	1	30291-MCT-000	6959613
2	GENERATOR ASSY., PULSE	A6 B6	-----	-----	1	30300-MCT-000	6959621
3	FLYWHEEL	A6 B6	-----	-----	1	31110-MEF-003	7369788
4	STATOR.....	A6 B6	-----	-----	1	31120-MEF-003	7054695
5	CLAMP, PULSER WIRE.....	A6 B6	-----	-----	1	32962-GS9-000	2757789
6	BOLT, FLANGE (12X45)	A6 B6	-----	-----	1	90023-MBT-010	6186134
7	WASHER (12.5X34X5).....	A6 B6	-----	-----	1	90402-MCL-000	6447007
8	BOLT, HEX. (5X10)	A6 B6	-----	-----	2	93301-05010-0H	2759306
9	BOLT, SOCKET (6X16)	A6 B6	-----	-----	2	96600-06016-00	2154698
10	BOLT, SOCKET (6X32)	A6 B6	-----	-----	3	96600-06032-00	3699360

OIL PUMP



MCTAE1000

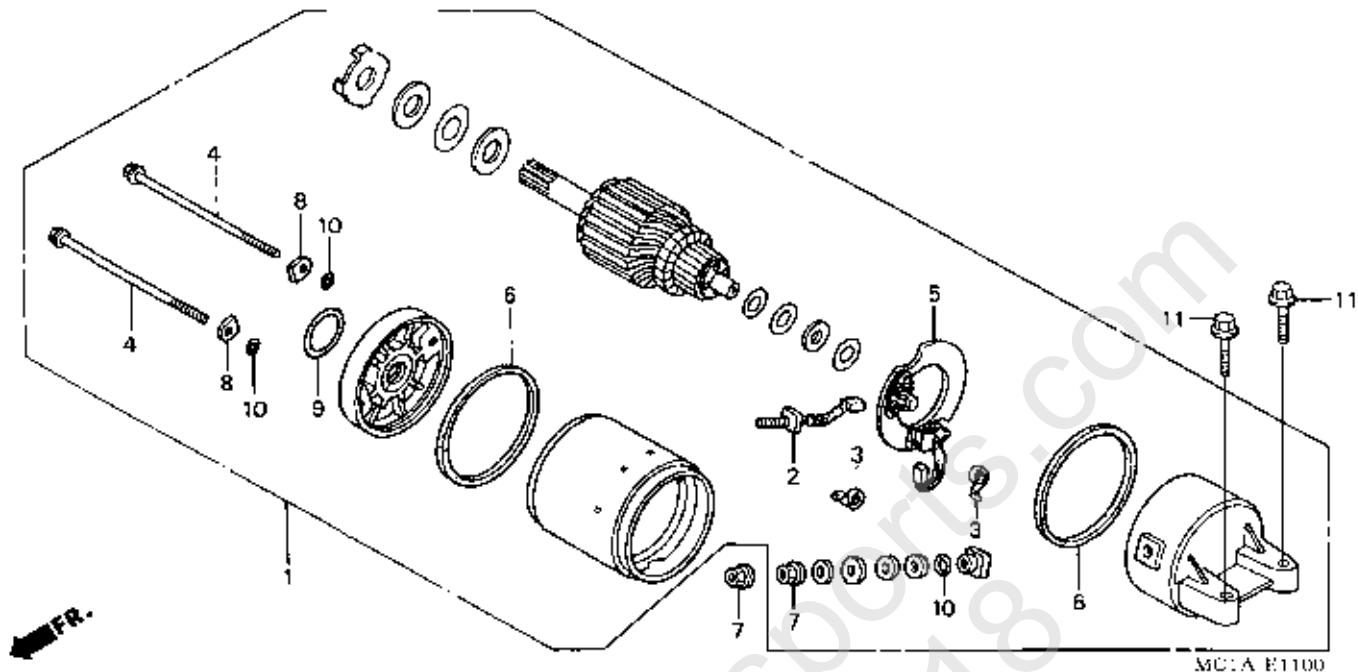
A6=FSC600A'06
B6=FSC600D'06

E-10

Engine
Serial Number

Ref	Description	Model	From	To	QTY	Part Number	H/C
1	PUMP ASSY., OIL	A6 B6	-----	-----	1	15100-MCT-010	7056906
2	SPROCKET, OIL PUMP DRIVE (16T).....	A6 B6	-----	-----	1	15131-MCT-000	6958417
3	SPROCKET, OIL PUMP DRIVEN (26T).....	A6 B6	-----	-----	1	15134-MV9-670	3694130
4	CHAIN, OIL PUMP (40L) (DAIDO)	A6 B6	-----	-----	1	15140-MCT-003	6958425
5	VALVE ASSY., RELIEF	A6 B6	-----	-----	1	15220-MCT-010	7056914
6	FILTER, OIL (TOYO ROKI)	A6 B6	-----	-----	1	15410-MCJ-003	7681315
7	COOLER, OIL.....	A6 B6	-----	-----	1	15700-MCT-013	7054612
8	WASHER, SPRING (24MM).....	A6 B6	-----	-----	1	23929-PX4-700	3940079
9	BOLT, OIL COOLER	A6 B6	-----	-----	1	90019-MCT-000	6962096
10	BOLT-WASHER (6X12)	A6 B6	-----	-----	1	90021-MM5-000	2551760
11	BOLT, SPECIAL (10MM)	A6 B6	-----	-----	1	90037-ME9-000	1373539
12	WASHER (10X25X4)	A6 B6	-----	-----	1	90405-MCT-000	6962252
13	O-RING (14.7X2.2) (ARAI).....	A6 B6	-----	-----	1	91313-MB0-003	1260868
	O-RING (14.8X2.2).....	A6 B6	-----	-----	1	91313-MG7-004	3353620
14	O-RING, OIL COOLER.....	A6 B6	-----	-----	1	91354-MCT-003	6962476
15	PIN A, DOWEL (8X14).....	A6 B6	-----	-----	2	94301-08140	0069310
16	BOLT, FLANGE (6X25)	A6 B6	-----	-----	1	95701-06025-00	2105831
17	BOLT, FLANGE (6X35)	A6 B6	-----	-----	2	95701-06035-00	2105864

STARTING MOTOR



MCTAE1100

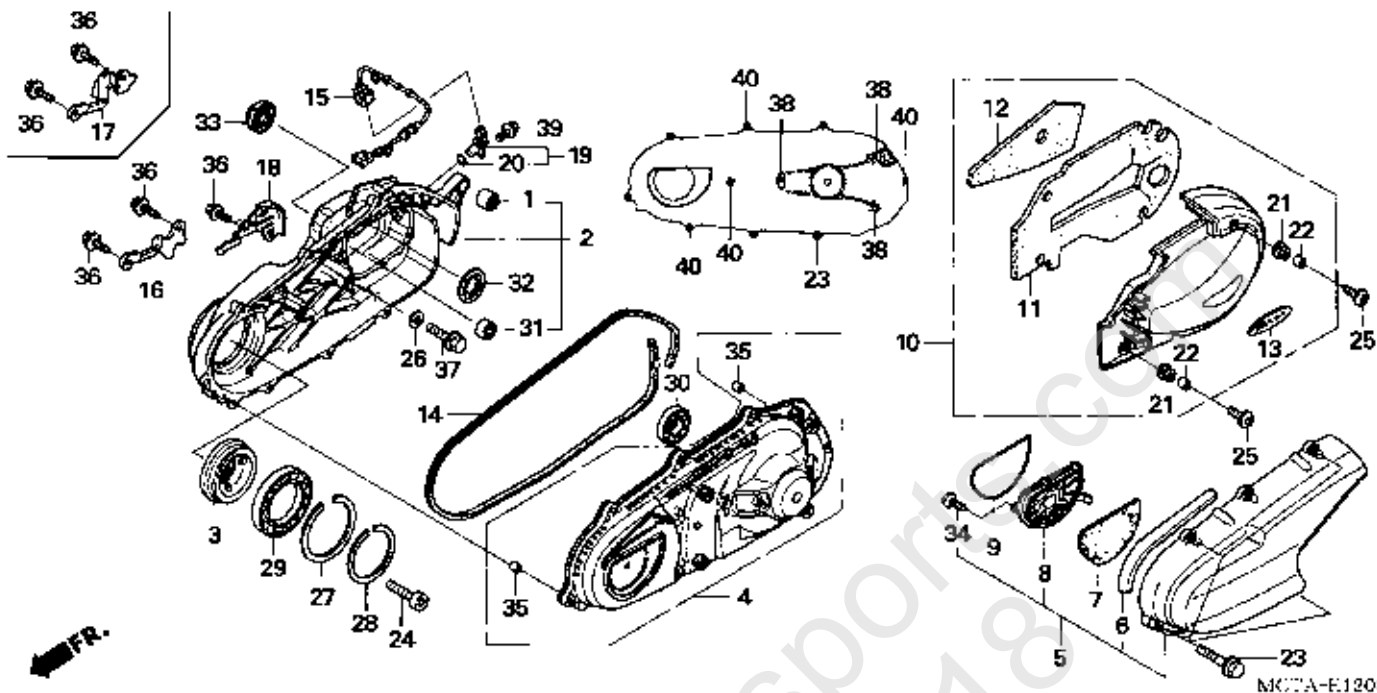
A6=FSC600A'06
B6=FSC600D'06

E-11

Engine
Serial Number

Ref	Description	Model	From	To	QTY	Part Number	H/C
1	MOTOR ASSY., STARTER (MITSUBA).....	A6 B6	-----	-----	1	31200-MCT-003	6959670
2	TERMINAL SET, BRUSH (USE FOR MITSUBA STARTER MOTOR SM-13)	A6 B6	-----	-----	1	31201-KS5-901	2541951
3	SPRING, CARBON BRUSH.....	A6 B6	-----	-----	2	31204-KS5-901	2541969
4	BOLT, SETTING.....	A6 B6	-----	-----	2	31205-MN4-008	2605087
5	HOLDER SET, BRUSH	A6 B6	-----	-----	1	31206-MN4-008	2605095
6	RING.....	A6 B6	-----	-----	2	31207-KS5-901	2541985
7	NUT-WASHER (6MM)	A6 B6	-----	-----	2	90071-MB0-000	1243534
8	WASHER, STEEL PLATE	A6 B6	-----	-----	2	90122-MN4-008	2605483
9	O-RING (24.4X3.1) (ARAI).....	A6 B6	-----	-----	1	91309-425-003	1113422
	O-RING (24.4X3.1).....	A6 B6	-----	-----	1	91312-MG7-003	2618221
10	O-RING.....	A6 B6	-----	-----	3	91320-MB0-000	1292184
11	BOLT, FLANGE (6X30)	A6 B6	-----	-----	2	95701-06030-00	2401222

SWINGARM



MCTAE1200

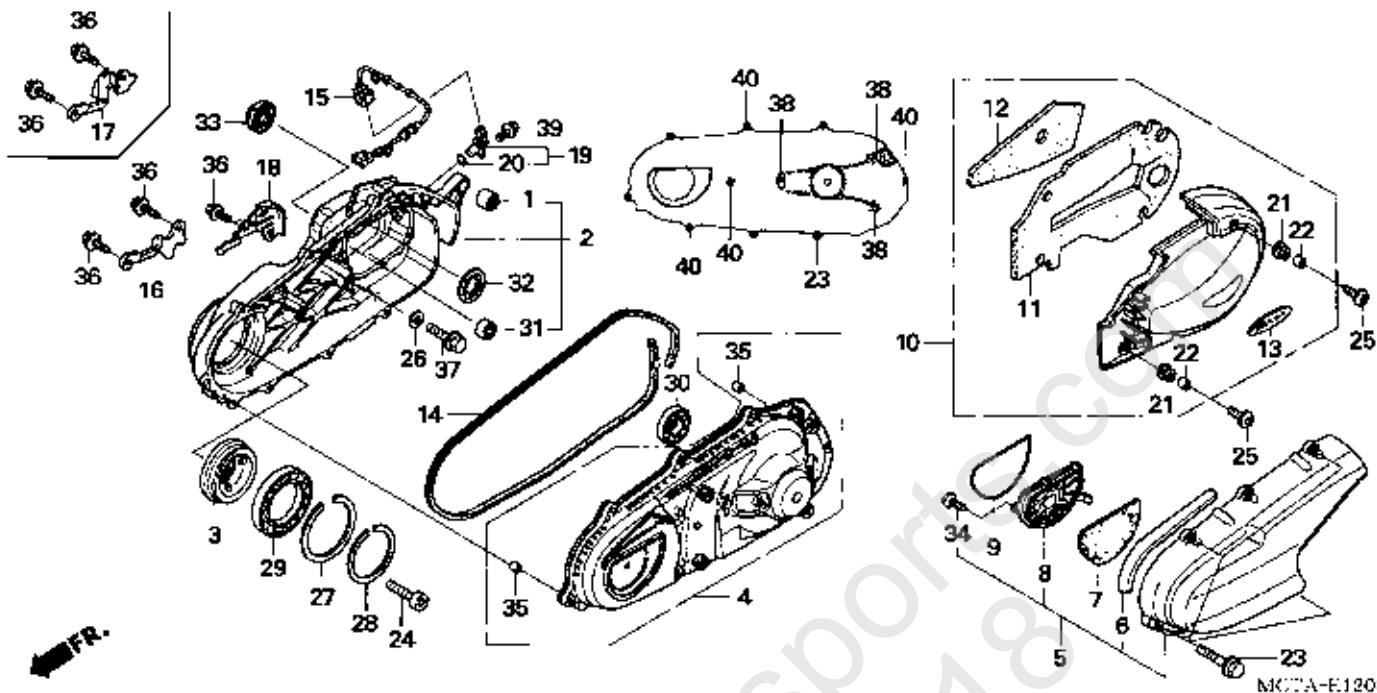
A6=FSC600A'06
B6=FSC600D'06

E-12

Engine
Serial Number

Ref	Description	Model	From	To	QTY	Part Number	H/C
1	BUSH, SHOCK ABSORBER	A6 B6	-----	-----	1	11203-KAB-000	3174166
2	CASE, SWINGARM	A6	-----	-----	1	11300-MCT-940	7396161
	CASE, SWINGARM	B6	-----	-----	1	11300-MCT-060	7396153
3	FLANGE, SWINGARM.....	A6 B6	-----	-----	1	11305-MCT-010	6957922
4	COVER, L.	A6 B6	-----	-----	1	11341-MCT-010	6957971
5	COVER ASSY., L. FR.	A6 B6	-----	-----	1	11350-MCT-020	8198475
6	MAT, L. FR. COVER.....	A6 B6	-----	-----	1	11352-MCT-310	8198483
7	ELEMENT.....	A6 B6	-----	-----	1	11356-MCT-000	6957997
8	COVER, ELEMENT	A6 B6	-----	-----	1	11357-MCT-000	6958003
9	GASKET, ELEMENT COVER	A6 B6	-----	-----	1	11358-MCT-000	6958011
10	COVER, L. RR.....	A6 B6	-----	-----	1	11360-MCT-010	8198491
11	MAT A, L. RR. COVER.....	A6 B6	-----	-----	1	11362-MCT-310	8198509
12	MAT B, L. RR. COVER.....	A6 B6	-----	-----	1	11363-MCT-310	8198517
13	EMBLEM, L. RR. COVER.....	A6 B6	-----	-----	1	11365-MCT-300	6958052
14	GASKET, L. COVER	A6 B6	-----	-----	1	11395-MCT-000	6958060
15	SUB-WIRE, SPEED SENSOR	B6	-----	-----	1	32104-MCT-000	6959712
16	CLAMP, SPEED SENSOR WIRE.....	B6	-----	-----	1	32111-MCT-000	6959746
17	CLAMP, SPEED SENSOR WIRE.....	A6	-----	-----	1	32111-MCT-910	7396369

SWINGARM



A6=FSC600A'06
B6=FSC600D'06

E-12

Engine
Serial Number

Ref	Description	Model	From	To	QTY	Part Number	H/C
18	PROTECTOR, SPEED SENSOR.....	A6 B6	-----	-----	1	32112-MCT-000	6959753
19	SENSOR ASSY., SPEED.....	A6 B6	-----	-----	1	37700-GET-731	6960017
20	O-RING.....	A6 B6	-----	-----	1	37701-GET-731	7057011
21	RUBBER A, RR. FENDER.....	A6 B6	-----	-----	4	80105-061-000	0186627
22	COLLAR A, RR. FENDER.....	A6 B6	-----	-----	4	80108-061-010	0186643
23	BOLT, FLANGE (6X40) (NSHF).....	A6 B6	-----	-----	5	90005-GHB-710	4938320
24	BOLT, SOCKET (8X22).....	A6 B6	-----	-----	6	90010-MCT-000	6962088
25	BOLT, SPECIAL (6X17).....	A6 B6	-----	-----	4	90085-MAJ-A20	4980694
26	WASHER (8MM).....	A6 B6	-----	-----	1	90474-333-000	0290981
27	CIRCLIP (INNER) (140).....	A6 B6	-----	-----	1	90601-MCT-000	6962294
28	CIRCLIP (OUTER) (110).....	A6 B6	-----	-----	1	90602-MCT-000	6962302
29	BEARING, RADIAL BALL (6822UU).....	A6 B6	-----	-----	1	91001-MCT-013	6962328
30	BEARING, RADIAL BALL (6008UU).....	A6 B6	-----	-----	1	91008-MCT-003	6962377
31	BEARING, NEEDLE (22X29X20).....	A6 B6	-----	-----	1	91012-MCT-003	6962385
32	OIL SEAL (40X65X6).....	A6 B6	-----	-----	1	91205-MCT-003	6962419
33	DUST SEAL (40X52X7).....	A6 B6	-----	-----	1	91251-MCT-003	6962443
34	SCREW, TAPPING (4X12).....	A6 B6	-----	-----	1	93913-14220	3699576
35	PIN A, DOWEL (10X16).....	A6 B6	-----	-----	2	94301-10160	0058206

SWINGARM

A6=FSC600A'06
B6=FSC600D'06

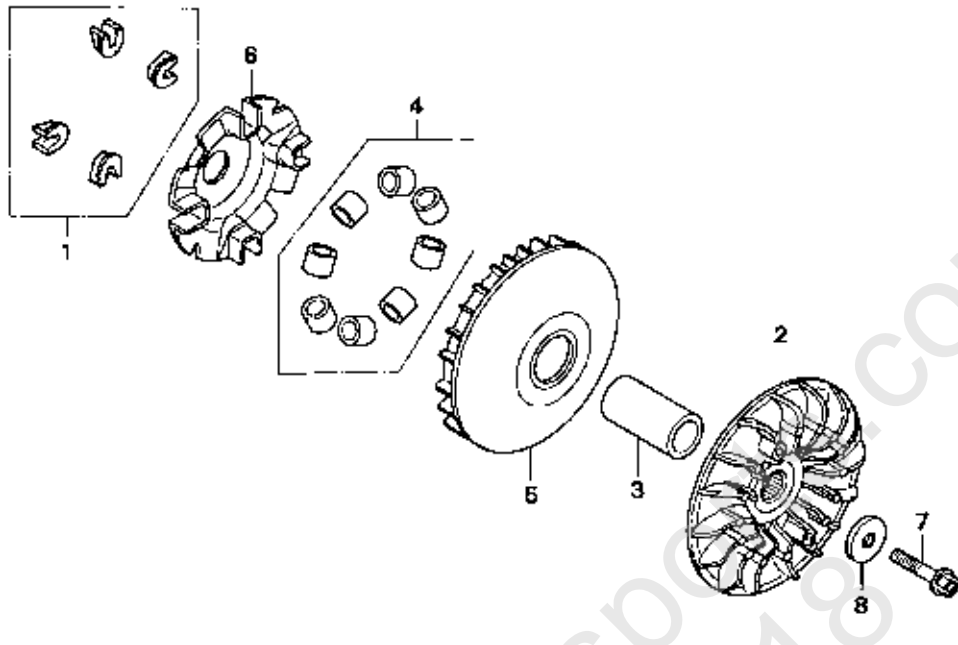
E-12

Engine
Serial Number

Ref	Description	Model	From	To	QTY	Part Number	H/C
36	BOLT, FLANGE (6X16)	A6 B6	-----	-----	4	95701-06016-00	2410892
37	BOLT, FLANGE (8X18)	A6 B6	-----	-----	1	95701-08018-00	2660694
38	BOLT, FLANGE (8X65)	A6 B6	-----	-----	3	95701-08065-00	2529113
39	BOLT, FLANGE (6X20)	A6 B6	-----	-----	1	96001-06020-00	2529154
40	BOLT, FLANGE (6X32)	A6 B6	-----	-----	4	96001-06032-00	2106029

World of Powersports.com
800-407-7218

DRIVE FACE



MCTA E1300

MCTAE1300

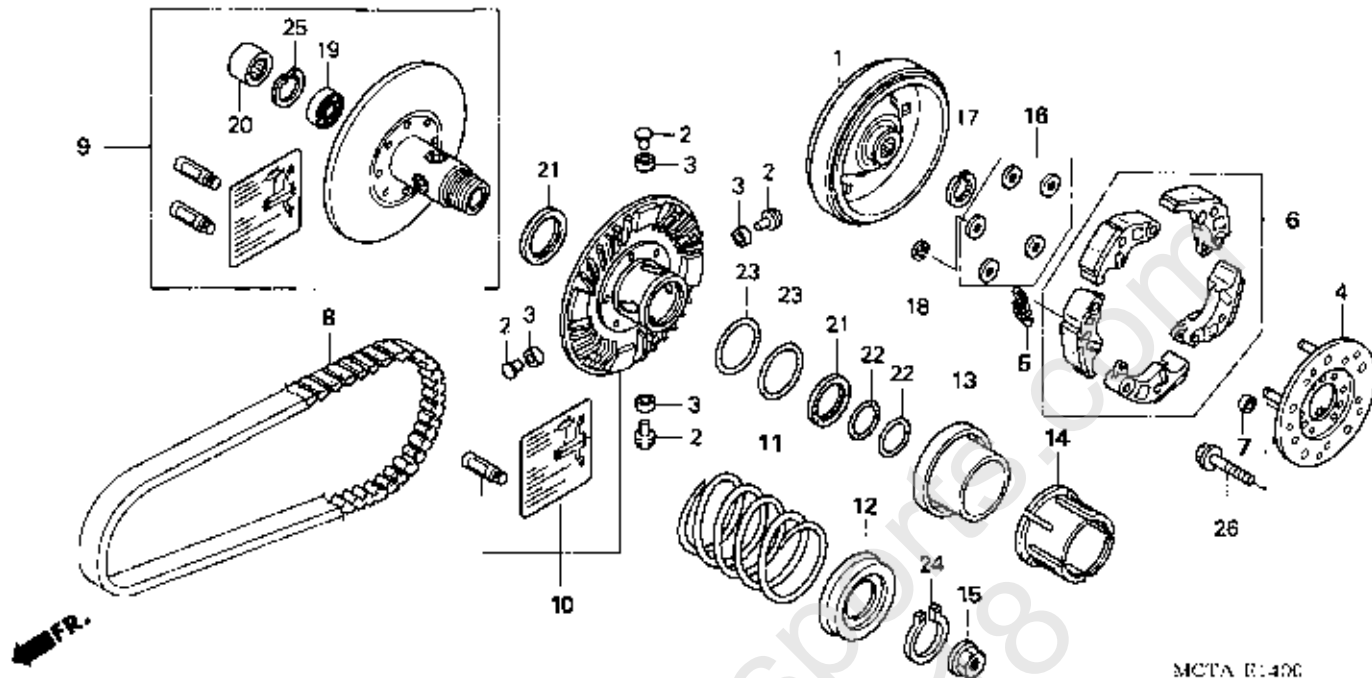
A6=FSC600A'06
B6=FSC600D'06

E-13

Engine
Serial Number

Ref	Description	Model	From	To	QTY	Part Number	H/C
1	PIECE SET, SLIDE.....	A6 B6	-----	-----	1	22011-MCT-305	6874390
2	FACE, DRIVE	A6 B6	-----	-----	1	22102-MCT-000	6874440
3	BOSS B, DRIVE FACE.....	A6 B6	-----	-----	1	22104-MCT-000	6874432
4	ROLLER SET, WEIGHT.....	A6 B6	-----	-----	1	22123-MCT-000	6874416
5	FACE B, MOVABLE DRIVE.....	A6 B6	-----	-----	1	22130-MCT-000	6874424
6	PLATE, RAMP	A6 B6	-----	-----	1	22131-MCT-010	7925860
7	BOLT, FLANGE (12X45)	A6 B6	-----	-----	1	90023-MBT-010	6186134
8	WASHER (12.5X38X5).....	A6 B6	-----	-----	1	90441-MCT-000	6874457

DRIVEN FACE



MCTA E-1406

MCTAE1400

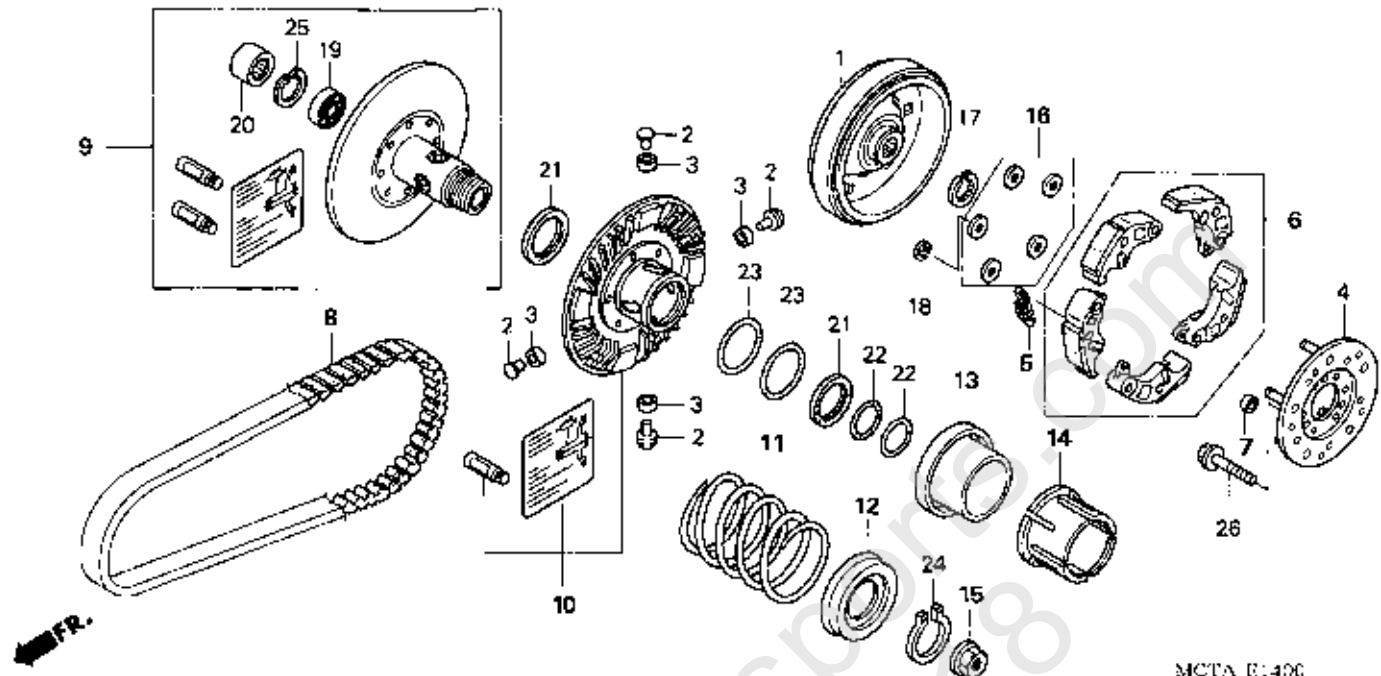
A6=FSC600A'06
B6=FSC600D'06

E-14

Engine
Serial Number

Ref	Description	Model	From	To	QTY	Part Number	H/C
1	CLUTCH (OUTER).....	A6 B6	-----	-----	1	22100-MCT-020	7819949
2	PIN, ROLLER GUIDE.....	A6 B6	-----	-----	4	22231-HE0-000	3058237
3	ROLLER, GUIDE.....	A6 B6	-----	-----	4	22232-HE0-000	3058245
4	PLATE, DRIVE.....	A6 B6	-----	-----	1	22350-MCT-000	6874499
5	SPRING, CLUTCH.....	A6 B6	-----	-----	5	22401-MCT-000	6874481
6	WEIGHT SET, CLUTCH.....	A6 B6	-----	-----	1	22535-MCT-315	6991111
7	RUBBER, CLUTCH DAMPER.....	A6 B6	-----	-----	5	22804-GB2-000	3171170
8	BELT, DRIVE.....	A6 B6	-----	-----	1	23100-MCT-003	6874465
9	FACE SET, DRIVEN.....	A6 B6	-----	-----	1	23205-MCT-305	6959449
10	FACE SET, MOVABLE DRIVEN.....	A6 B6	-----	-----	1	23221-MCT-315	7360571
11	SPRING, DRIVEN FACE.....	A6 B6	-----	-----	1	23233-MCT-000	6959464
12	SEAT, DRIVEN SPRING.....	A6 B6	-----	-----	1	23236-MCT-000	6959472
13	COLLAR, SEAL.....	A6 B6	-----	-----	1	23237-MCT-000	6959480
14	COLLAR, SPRING GUIDE.....	A6 B6	-----	-----	1	23238-MCT-000	6959498
15	NUT, HEX. (16MM).....	A6 B6	-----	-----	1	90381-HA0-000	1824432
16	WASHER SET, THRUST.....	A6 B6	-----	-----	1	90442-MCT-305	7934029
17	CIRCLIP (OUTER) (30).....	A6 B6	-----	-----	1	90603-MCT-003	6962310
18	CIRCLIP (7MM).....	A6 B6	-----	-----	5	90605-166-720	1478635

DRIVEN FACE



MCTA E-1406

MCTAE1400

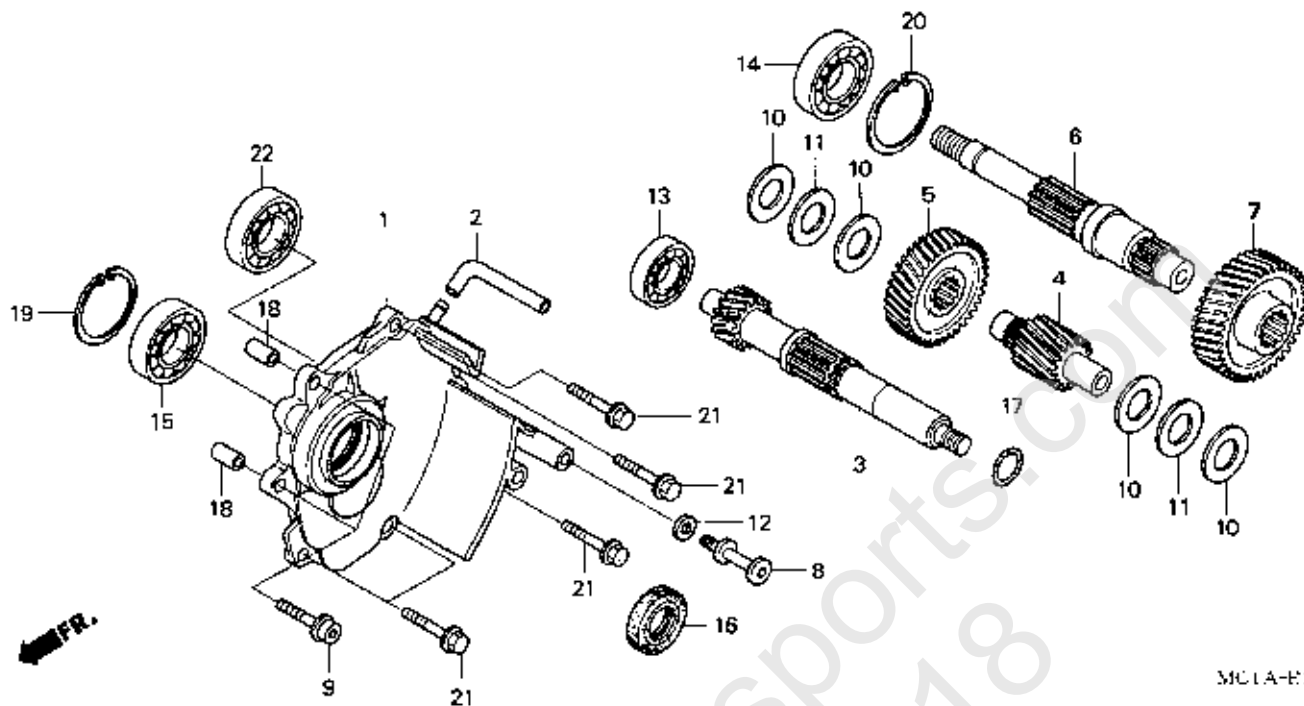
A6=FSC600A'06
B6=FSC600D'06

E-14

Engine
Serial Number

Ref	Description	Model	From	To	QTY	Part Number	H/C
19	BEARING, RADIAL BALL (6003U).....	A6 B6	-----	-----	1	91004-MCT-003	6962344
20	BEARING, NEEDLE (27X36X23).....	A6 B6	-----	-----	1	91101-MCT-003	6962393
21	SEAL, DRIVEN FACE (48X56X4)	A6 B6	-----	-----	2	91211-MCT-003	6962435
22	O-RING (36.5X1.0).....	A6 B6	-----	-----	2	91353-MCT-003	6962468
23	O-RING (54.8X1.9).....	A6 B6	-----	-----	2	91387-SM4-J61	6962484
24	CIRCLIP (OUTER) (45MM)	A6 B6	-----	-----	1	94510-45000	0912105
25	CIRCLIP (INNER) (35MM)	A6 B6	-----	-----	1	94520-35000	0336057
26	BOLT, FLANGE (8X16)	A6 B6	-----	-----	6	95701-08016-00	2298396

TRANSMISSION



MCTA-E1500

MCTAE1500

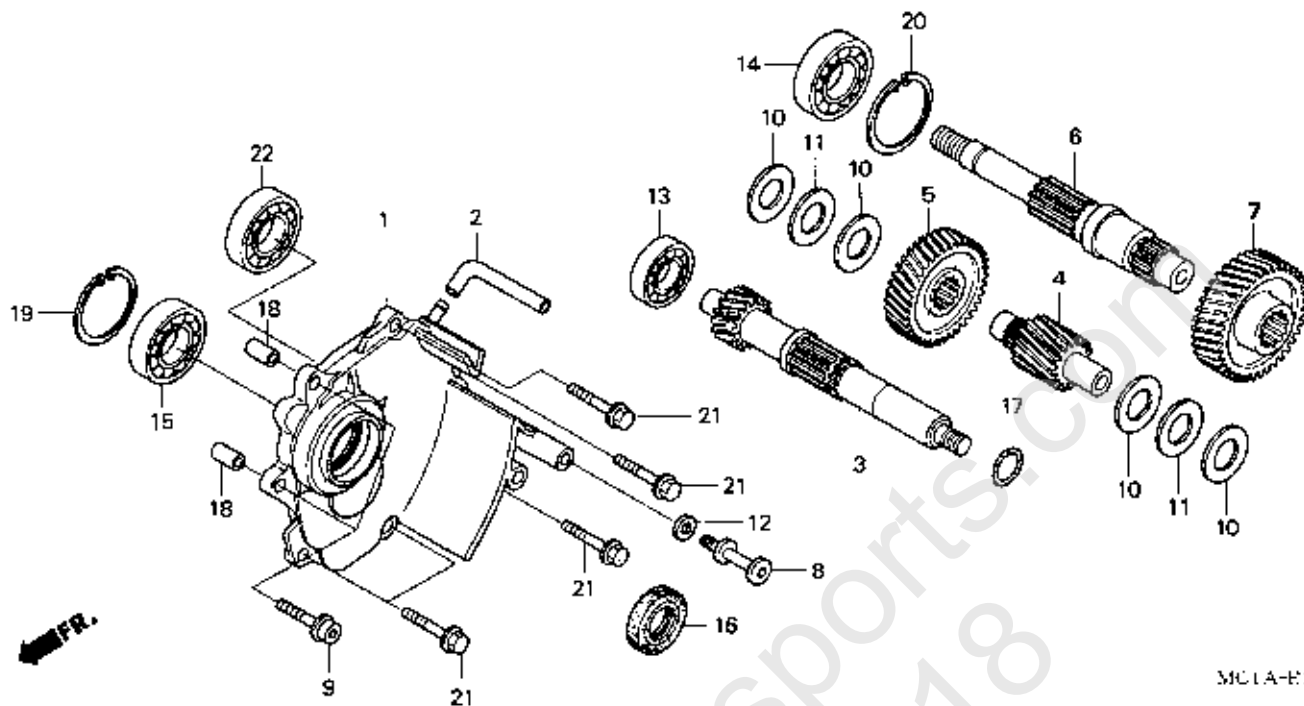
A6=FSC600A'06
B6=FSC600D'06

E-15

Engine
Serial Number

Ref	Description	Model	From	To	QTY	Part Number	H/C
1	COVER, TRANSMISSION	A6 B6	-----	-----	1	21300-MCT-000	6959373
2	TUBE, BREATHER.....	A6 B6	-----	-----	1	21381-MCT-000	6959381
3	SHAFT, DRIVE (16T)	A6 B6	-----	-----	1	23411-MCT-000	6959506
4	COUNTERSHAFT (15T).....	A6 B6	-----	-----	1	23421-MCT-000	6959514
5	GEAR, COUNTER (38T)	A6 B6	-----	-----	1	23422-MCT-000	6959522
6	SHAFT, FINAL	A6 B6	-----	-----	1	23431-MCT-000	6959530
7	GEAR, FINAL (38T)	A6 B6	-----	-----	1	23432-MCT-000	6959548
8	BOLT, SPECIAL (8X22)	A6 B6	-----	-----	1	90051-MCT-000	6962104
9	BOLT, FLANGE SOCKET (8X35)	A6 B6	-----	-----	2	90130-MBB-000	5365416
10	WASHER, THRUST (22MM)	A6 B6	-----	-----	4	90401-MCT-000	6962245
11	WASHER, SIDE (22MM)	A6 B6	-----	-----	2	90406-MCT-000	6962260
12	WASHER (8MM).....	A6 B6	-----	-----	1	90474-333-000	0290981
13	BEARING, RADIAL BALL (6304)	A6 B6	-----	-----	1	91001-GF6-004	4056982
	BEARING, RADIAL BALL (6304) (TOYO) ..	A6 B6	-----	-----	1	91001-035-008	0460774
14	BEARING, RADIAL BALL (62/32UU)	A6 B6	-----	-----	1	91005-MCT-003	6962351
15	BEARING, RADIAL BALL (6206)	A6 B6	-----	-----	1	91007-MCT-003	6962369
16	OIL SEAL (40X55X7) (ARAI)	A6 B6	-----	-----	1	91205-MM5-003	2552107
17	O-RING (26X2.4) (NOK).....	A6 B6	-----	-----	1	91326-PL5-003	2611697

TRANSMISSION



MCTA-E1500

MCTAE1500

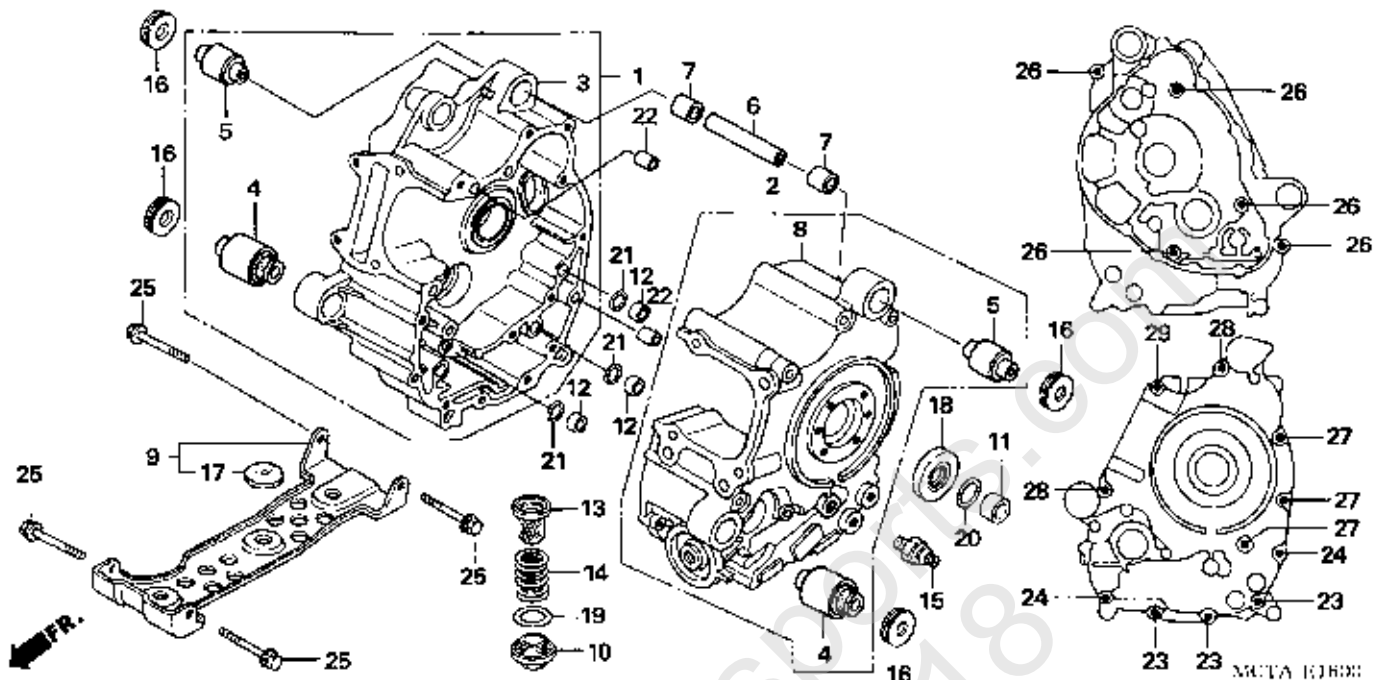
A6=FSC600A'06
B6=FSC600D'06

E-15

Engine
Serial Number

Ref	Description	Model	From	To	QTY	Part Number	H/C
18	PIN A, DOWEL (10X16)	A6 B6	-----	-----	2	94301-10160	0058206
19	CIRCLIP (INNER) (62MM)	A6 B6	-----	-----	1	94520-62000	0906594
20	CIRCLIP (INNER) (65MM)	A6 B6	-----	-----	1	94520-65000	6962534
21	BOLT, FLANGE (8X40)	A6 B6	-----	-----	5	95701-08040-00	2298404
22	BEARING, RADIAL BALL (6305)	A6 B6	-----	-----	1	96100-63050-00	0674408

CRANKCASE



MCTAE1600

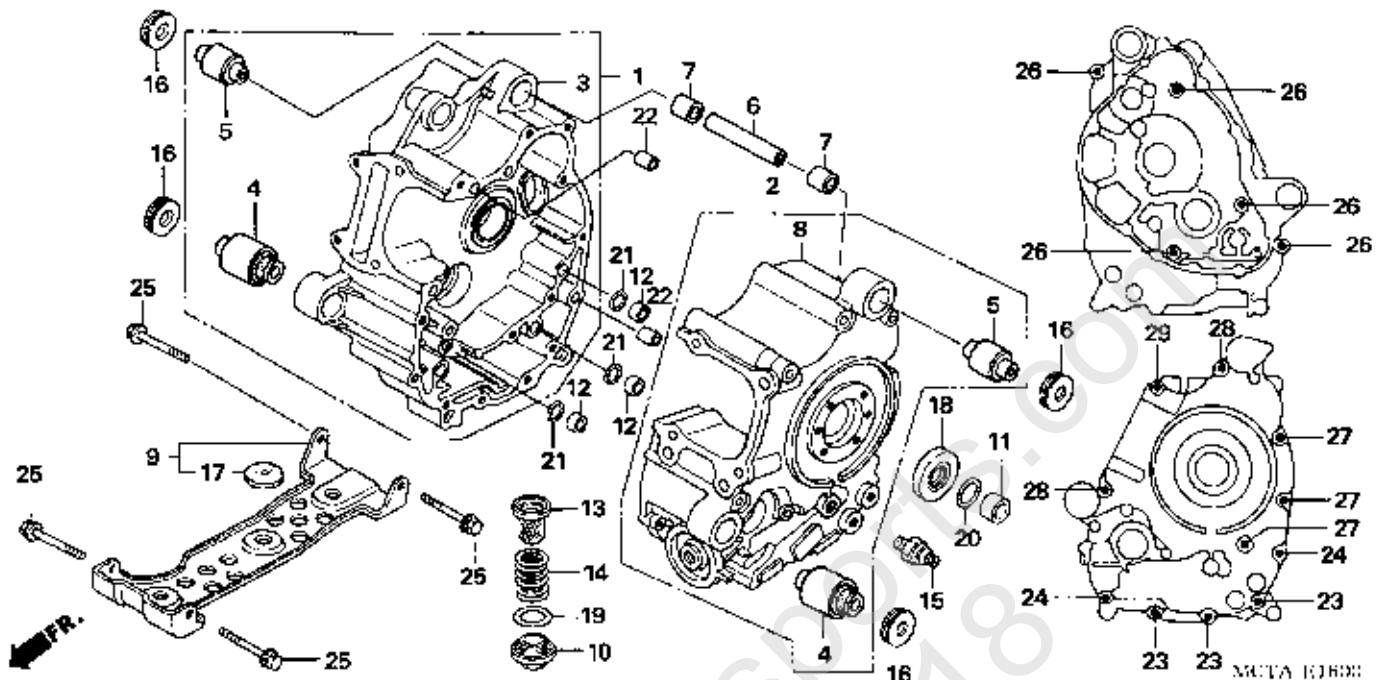
A6=FSC600A'06
B6=FSC600D'06

E-16

Engine
Serial Number

Ref	Description	Model	From	To	QTY	Part Number	H/C
1	CRANKCASE SET, R.	A6 B6	-----	-----	1	11010-MCT-941	7396070
2	CRANKCASE SET, L.	A6 B6	-----	-----	1	11011-MCT-941	7396088
3	CRANKCASE, R.	A6 B6	-----	-----	1	11100-MCT-010	7054539
4	RUBBER A, MOUNT	A6 B6	-----	-----	2	11110-MCT-941	7396096
5	RUBBER B, MOUNT	A6 B6	-----	-----	2	11120-MCT-942	7396104
6	COLLAR.....	A6 B6	-----	-----	1	11124-MCT-940	7396112
7	TUBE, COLLAR	A6 B6	-----	-----	2	11125-MCT-940	7396120
8	CRANKCASE, L.	A6 B6	-----	-----	1	11200-MCT-010	7054547
9	PLATE, SKID	A6 B6	-----	-----	1	11410-MCT-000	6958078
10	CAP, TAPPET ADJUSTING HOLE	A6 B6	-----	-----	1	12361-KK0-000	1592807
11	COLLAR, L. CRANKCASE SIDE	A6 B6	-----	-----	1	13312-MCT-000	6958250
12	COLLAR, O-RING	A6 B6	-----	-----	3	15155-300-000	0190363
13	SCREEN, OIL FILTER.....	A6 B6	-----	-----	1	15421-107-000	0214858
14	SPRING, OIL FILTER SCREEN.....	A6 B6	-----	-----	1	15426-107-000	0214866
15	SWITCH ASSY., OIL PRESSURE (DENSO)	A6 B6	-----	-----	1	35500-MJ4-024	3544608
16	RUBBER C, MOUNT	A6 B6	-----	-----	4	50203-MCT-680	7206386
17	RUBBER C, BATTERY DISTANCE	A6 B6	-----	-----	1	83618-307-000	0197368

CRANKCASE



MCTAE1600

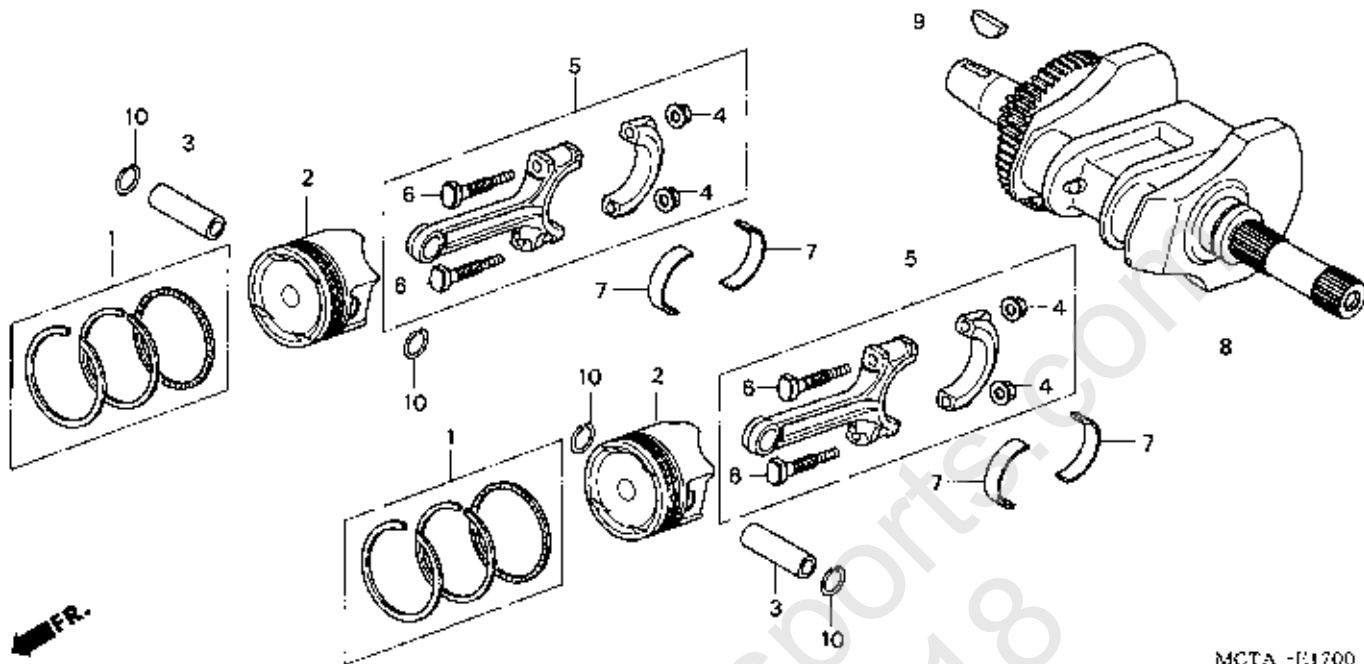
A6=FSC600A'06
B6=FSC600D'06

E-16

Engine
Serial Number

Ref	Description	Model	From	To	QTY	Part Number	H/C
18	OIL SEAL (39.8X64X7).....	A6 B6	-----	-----	1	91201-MCT-003	6962401
19	O-RING (35.5X3) (NOK).....	A6 B6	-----	-----	1	91301-428-003	1229392
20	O-RING (22.5X2.7).....	A6 B6	-----	-----	1	91302-PC9-003	1767169
21	O-RING (14.8X2.4) (ARAI).....	A6 B6	-----	-----	3	91303-KF0-003	1521087
	O-RING (14.8X2.4) (NOK).....	A6 B6	-----	-----	3	91356-MA6-005	1377704
22	PIN A, DOWEL (10X16).....	A6 B6	-----	-----	2	94301-10160	0058206
23	BOLT, FLANGE (6X60).....	A6 B6	-----	-----	3	95701-06060-00	2791119
24	BOLT, FLANGE (6X85).....	A6 B6	-----	-----	2	95701-06085-00	2545317
25	BOLT, FLANGE (8X30).....	A6 B6	-----	-----	4	95701-08030-00	2552560
26	BOLT, FLANGE (8X85).....	A6 B6	-----	-----	5	95701-08085-00	3488319
27	BOLT, FLANGE (8X110).....	A6 B6	-----	-----	3	95701-08110-00	4210555
28	BOLT, FLANGE (8X130).....	A6 B6	-----	-----	2	95701-08130-00	6962591
29	BOLT, FLANGE (8X140).....	A6 B6	-----	-----	1	95701-08140-00	5264155

CRANKSHAFT • PISTON



MCTA -E1700

MCTAE1700

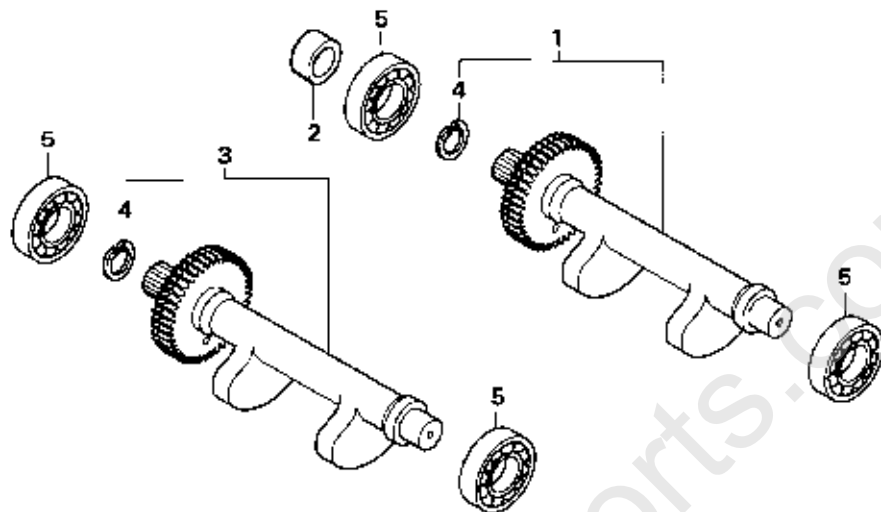
A6=FSC600A'06
B6=FSC600D'06

E-17

Engine
Serial Number

Ref	Description	Model	From	To	QTY	Part Number	H/C
1	RING SET, PISTON (STD).....	A6 B6	-----	-----	2	13011-MCT-305	6958144
	RING SET, PISTON (OS 0.25).....	A6 B6	-----	-----	(2)	13021-MCT-305	6958151
	RING SET, PISTON (OS 0.50).....	A6 B6	-----	-----	(2)	13031-MCT-305	6958169
2	PISTON (STD)	A6 B6	-----	-----	2	13101-MCT-000	6958177
	PISTON (OS 0.25)	A6 B6	-----	-----	(2)	13102-MCT-305	6958185
	PISTON (OS 0.50)	A6 B6	-----	-----	(2)	13103-MCT-305	6958193
3	PIN, PISTON	A6 B6	-----	-----	2	13111-MBG-000	5738737
4	NUT, CONNECTING ROD	A6 B6	-----	-----	4	13205-ME2-000	1269067
5	ROD ASSY., CONNECTING	A6 B6	-----	-----	2	13210-MCT-000	6958201
6	BOLT, CONNECTING ROD	A6 B6	-----	-----	4	13213-ME2-000	1269083
7	BEARING A, CONNECTING ROD (BROWN)	A6 B6	-----	-----	4	13214-MCT-003	6958219
	BEARING B, CONNECTING ROD (GREEN)	A6 B6	-----	-----	4	13215-MCT-003	6958227
	BEARING C, CONNECTING ROD (YELLOW)	A6 B6	-----	-----	4	13216-MCT-003	6958235
8	CRANKSHAFT	A6 B6	-----	-----	1	13300-MCT-010	6958243
9	KEY, SPECIAL WOODRUFF (25X18)	A6 B6	-----	-----	1	90741-ZE2-000	2027159
10	CLIP, PISTON PIN (17MM)	A6 B6	-----	-----	4	94601-17000	0398537

BALANCER



MCTA-E1800

MCTAE1800

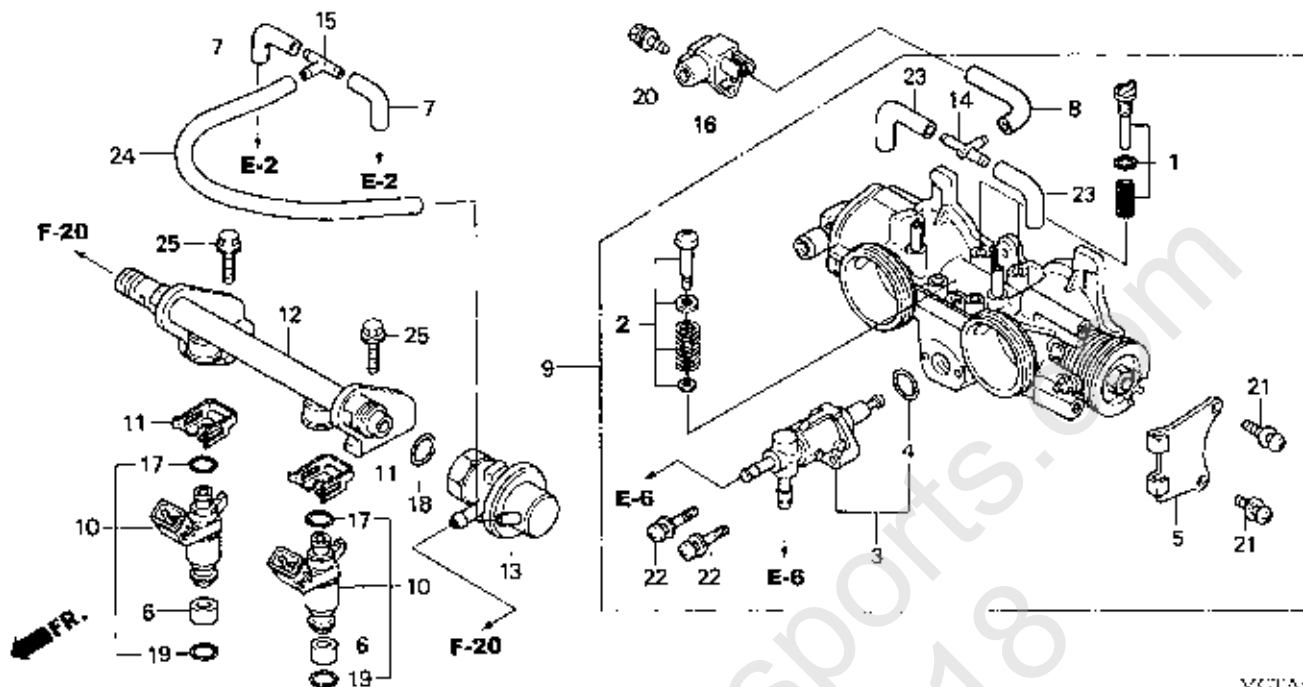
A6=FSC600A'06
B6=FSC600D'06

E-18

Engine
Serial Number

Ref	Description	Model	From	To	QTY	Part Number	H/C
1	SHAFT ASSY., A BALANCER (43T)	A6 B6	-----	-----	1	13410-MCT-010	7054588
2	COLLAR, BALANCER SHAFT	A6 B6	-----	-----	1	13415-MCT-000	6958276
3	SHAFT ASSY., BALANCER (43T)	A6 B6	-----	-----	1	13420-MCT-010	7054596
4	CIRCLIP (OUTER) (32MM)	A6 B6	-----	-----	2	94510-32100	1592054
5	BEARING, RADIAL BALL (6204)	A6 B6	-----	-----	4	96100-62040-00	0674390

THROTTLE BODY



MCTA-B1900
MCTAE1900

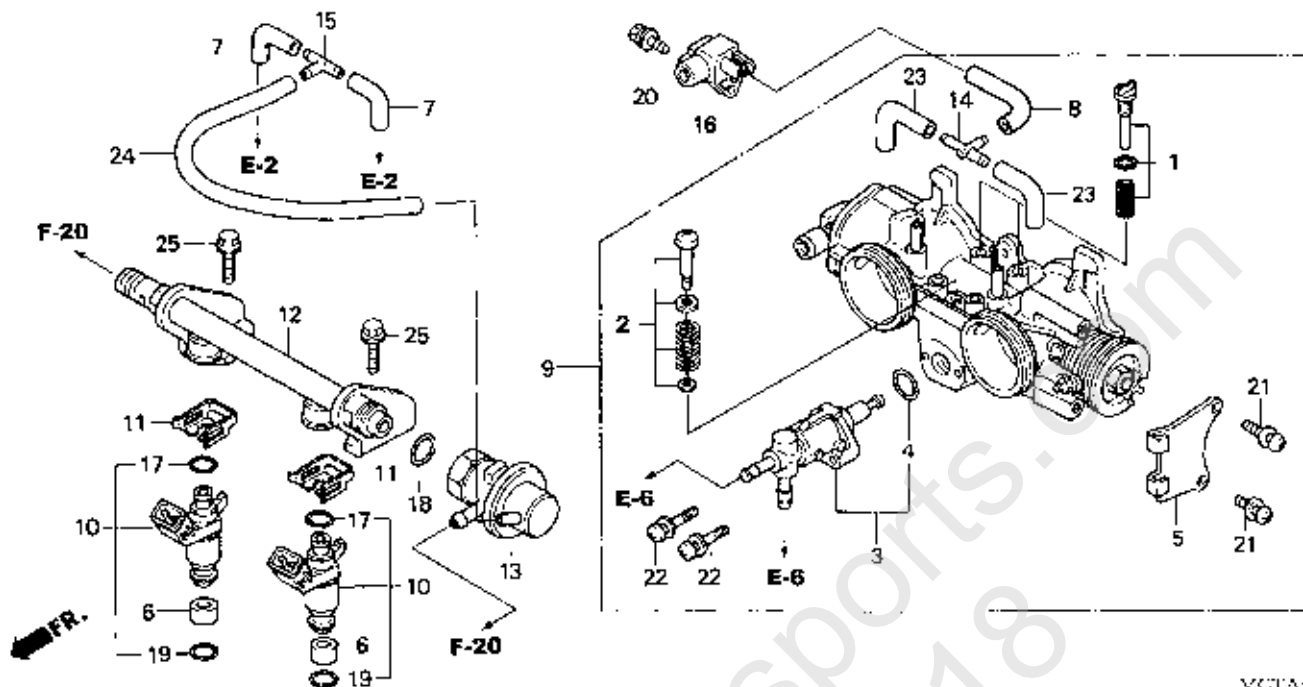
A6=FSC600A'06
B6=FSC600D'06

E-19

Engine
Serial Number

Ref	Description	Model	From	To	QTY	Part Number	H/C
1	SCREW SET	A6 B6	-----	-----	2	16016-MCA-013	6653935
2	SCREW SET, STOP.....	A6 B6	-----	-----	1	16029-MCT-003	6958466
3	WAX ASSY.	A6 B6	-----	-----	1	16046-MCT-003	6958482
4	O-RING.....	A6 B6	-----	-----	1	16075-MCH-003	6693741
5	STAY, WIRE.....	A6 B6	-----	-----	1	16119-MCT-003	6958490
6	TUBE	A6 B6	-----	-----	2	16193-MCT-000	6958524
7	TUBE	A6 B6	-----	-----	2	16195-MCT-000	6958532
8	TUBE	A6 B6	-----	-----	1	16198-MCT-003	6958540
9	BODY ASSY., THROTTLE (GQ80B A)	A6 B6	-----	-----	1	16400-MCT-681	6958573
10	INJECTOR ASSY., FUEL.....	A6 B6	-----	-----	2	16450-MCA-013	7325442
11	CLIP, INJECTOR	A6 B6	-----	-----	2	16451-PLC-000	6450951
12	PIPE, FUEL	A6 B6	-----	-----	1	16610-MCT-003	6958581
13	REGULATOR ASSY., PRESSURE	A6 B6	-----	-----	1	16740-MCT-013	7371487
14	JOINT, THREE-WAY	A6 B6	-----	-----	1	17201-MCT-003	6958664
15	JOINT, VACUUM TUBE (A)	A6 B6	-----	-----	1	17201-MG9-000	1523992
16	SENSOR, MAP.....	A6 B6	-----	-----	1	37830-MCF-003	6395339
17	O-RING (7.47X3.6).....	A6 B6	-----	-----	2	91301-PLC-000	6579874
18	O-RING (7.8X1.9).....	A6 B6	-----	-----	1	91302-MCA-000	6622427

THROTTLE BODY



MCTA-E1900
MCTAE1900

A6=FSC600A'06
B6=FSC600D'06

E-19

Engine
Serial Number

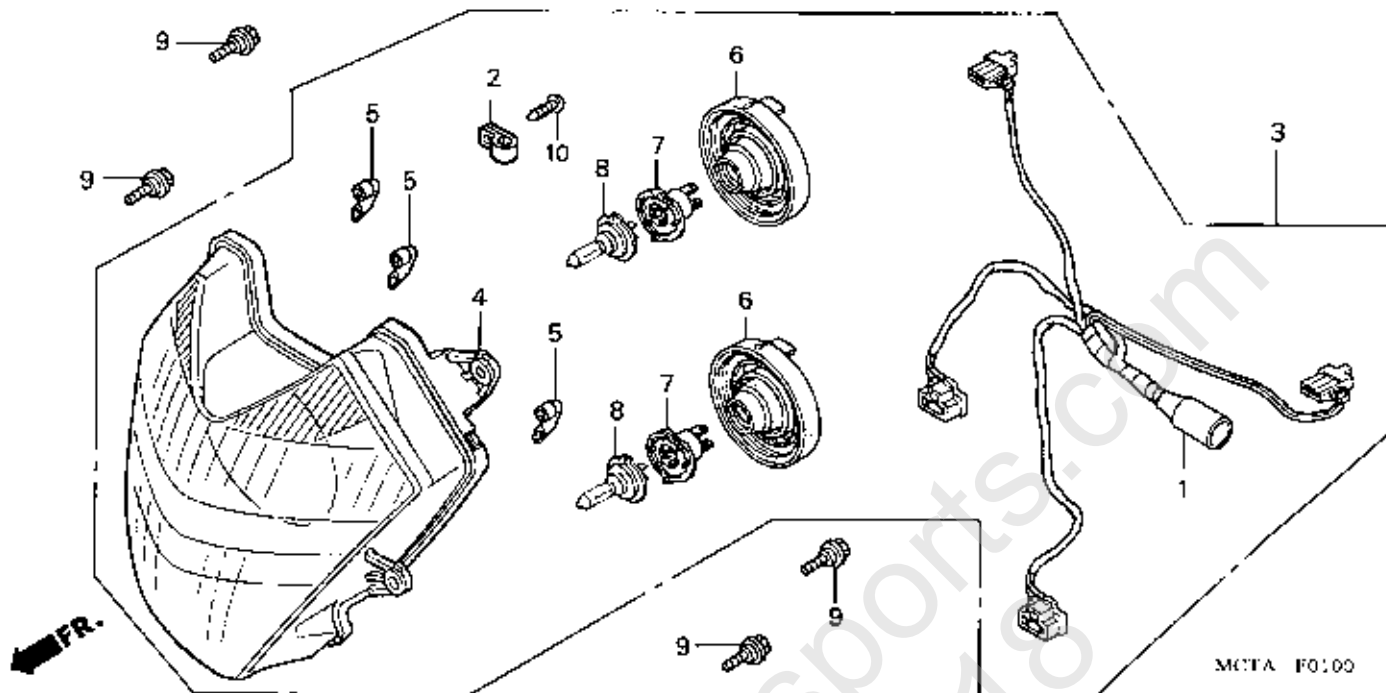
Ref	Description	Model	From	To	QTY	Part Number	H/C
19	O-RING (7.85X3.53).....	A6 B6	-----	-----	2	91302-PLC-000	6494843
20	BOLT-WASHER (4X16)	A6 B6	-----	-----	1	93401-04016-08	6962492
21	SCREW-WASHER (5X12)	A6 B6	-----	-----	2	93892-05012-00	0691808
	SCREW-WASHER (5X12)	A6 B6	-----	-----	2	93892-05012-10	1545037
22	SCREW-WASHER (5X22)	A6 B6	-----	-----	2	93892-05022-00	6622476
23	BULK HOSE, VACUUM (3.5X1000) (3.5X40)	A6 B6	-----	-----	2	95005-35001-20M	5137153
24	BULK HOSE, VACUUM (3.5X1000) (3.5X210)	A6 B6	-----	-----	1	95005-35001-20M	5137153
25	BOLT, FLANGE (6X14)	A6 B6	-----	-----	2	96001-06014-00	2154672

FRAME SECTION

Chapter Table of Contents

Page Title	Grid	Page
HEADLIGHT	1-D1	2-2
SPEEDOMETER.....	1-D1	2-3
SWITCH • CABLE.....	1-D2	2-4
FRONT BRAKE MASTER CYLINDER (FSC600A).....	1-D2	2-5
FRONT BRAKE MASTER CYLINDER (FSC600D).....	1-D3	2-7
REAR BRAKE MASTER	1-D4	2-9
REAR BRAKE PIPE (FSC600A).....	1-D5	2-11
REAR BRAKE PIPE (FSC600D).....	1-D6	2-13
PARKING BRAKE.....	1-D7	2-15
HANDLEBAR • HANDLE COVER.....	1-D8	2-16
STEERING STEM.....	1-D9	2-18
FRONT FENDER (FSC600A).....	1-D9	2-19
FRONT FENDER (FSC600D).....	1-D10	2-20
FRONT COVER	1-D10	2-21
INNER BOX.....	1-D12	2-24
CENTER COVER	1-D13	2-26
BODY COVER.....	1-D14	2-28
LUGGAGE BOX	1-D15	2-30
FRONT FORK.....	1-D16	2-32
FRONT BRAKE CALIPER.....	1-E1	2-34
FRONT WHEEL	1-E2	2-36
REAR BRAKE CALIPER.....	1-E3	2-38
PARKING BRAKE CALIPER.....	1-E3	2-39
REAR WHEEL.....	1-E4	2-40
SEAT.....	1-E5	2-42
FUEL TANK.....	1-E6	2-44
BATTERY	1-E7	2-46
AIR CLEANER.....	1-E8	2-48
AIR INJECTION VALVE	1-E9	2-50
EXHAUST MUFFLER.....	1-E9	2-51
STAND	1-E10	2-53
REAR SHOCK ABSORBER	1-E11	2-55
TURN SIGNAL	1-E12	2-56
TAILLIGHT • REAR FENDER.....	1-E12	2-57
WIRE HARNESS.....	1-E13	2-59
FRAME	1-E14	2-61
RADIATOR	1-E15	2-63
TOOLS	1-F1	2-66
EVAP CANISTER.....	1-F1	2-67
LABELS.....	1-F2	2-69
MARKS	1-F3	2-70

HEADLIGHT



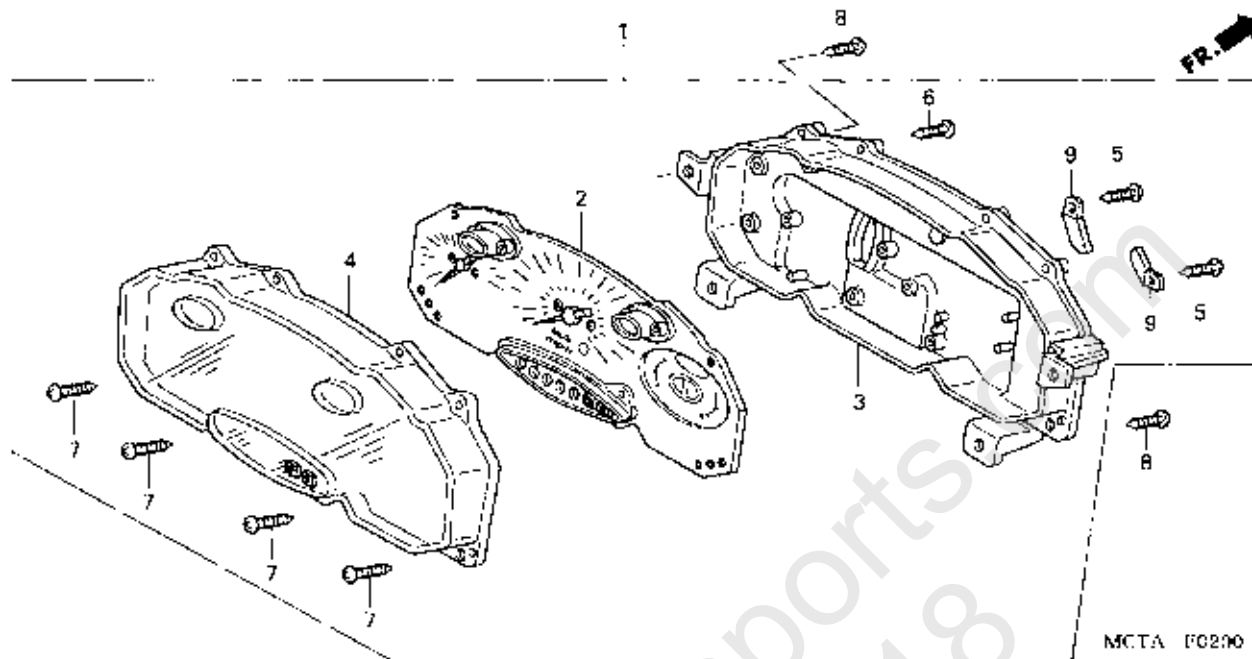
A6=FSC600A'06
B6=FSC600D'06

F-1

Frame
Serial Number

Ref	Description	Model	From	To	QTY	Part Number	H/C
1	SUB-WIRE, HEADLIGHT & TURN SIGNAL	A6 B6	-----	-----	1	32102-MCT-003	6959704
2	CLAMP, WIRE	A6 B6	-----	-----	1	32920-MN5-003	2820710
3	HEADLIGHT ASSY. (12V/55W)	A6 B6	-----	-----	1	33100-MCT-003	6959795
4	HEADLIGHT UNIT	A6 B6	-----	-----	1	33102-MCT-003	6959803
5	PIPE, CLIP	A6 B6	-----	-----	3	33113-MAT-611	5214291
6	COVER, RUBBER	A6 B6	-----	-----	2	33126-SS0-003	4696969
7	SOCKET, HEADLIGHT	A6 B6	-----	-----	2	33130-MAT-611	5214309
8	BULB, HEADLIGHT (12V55W) (H7).....	A6 B6	-----	-----	2	34901-MAT-611	5214457
9	BOLT, FR. FENDER FIXING	A6 B6	-----	-----	4	90106-MN9-000	5366844
10	SCREW, TAPPING (4X16).....	A6 B6	-----	-----	1	93903-34420	1177617

SPEEDOMETER



MCTAF0200

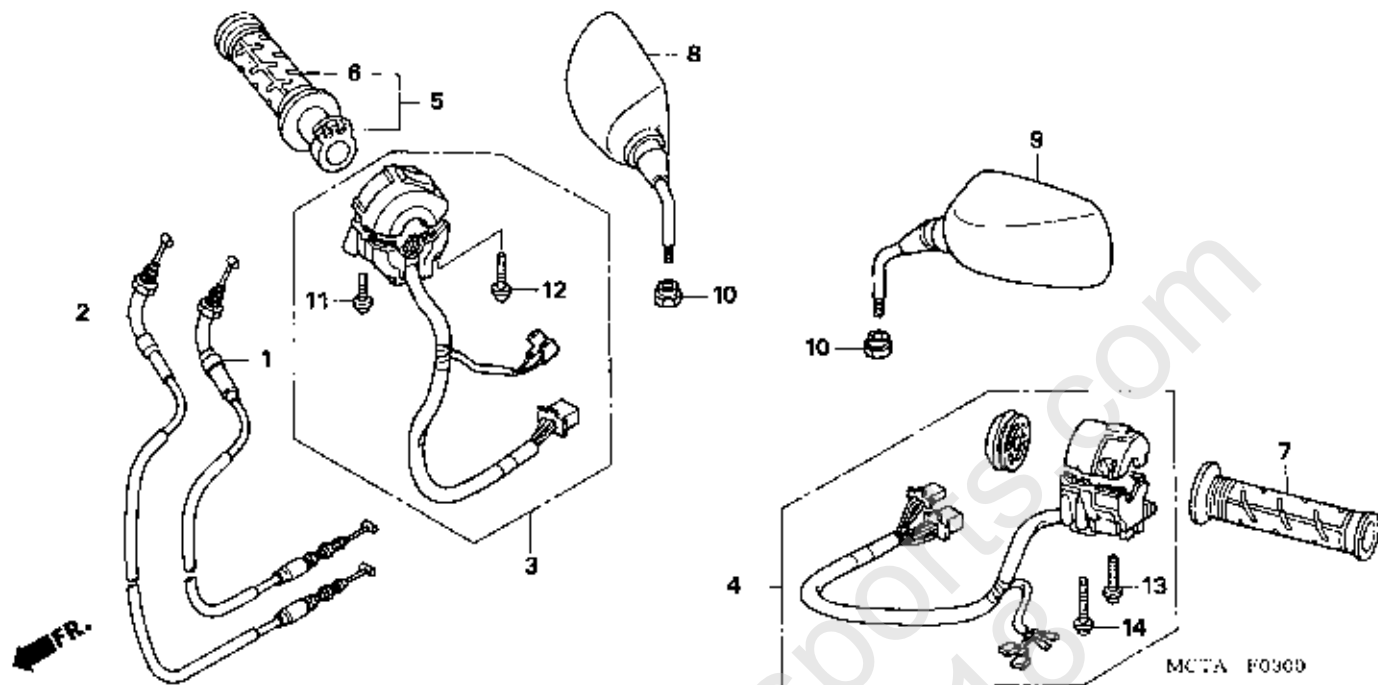
A6=FSC600A'06
B6=FSC600D'06

F-2

Frame
Serial Number

Ref	Description	Model	From	To	QTY	Part Number	H/C
1	METER ASSY., COMBINATION (MPH/ KPH).....	A6	-----	-----	1	37100-MCT-L11	7996515
	METER ASSY., COMBINATION (MPH/ KPH).....	B6	-----	-----	1	37100-MCT-L01	7996507
2	METER, COMBINATION (MPH/KPH)	A6	-----	-----	1	37110-MCT-L11	8199663
	METER, COMBINATION (MPH/KPH)	B6	-----	-----	1	37110-MCT-L01	8199655
3	CASE (LOWER)	A6 B6	-----	-----	1	37211-MCT-691	6959993
4	LENS ASSY.....	A6 B6	-----	-----	1	37212-MCT-691	6960009
5	SCREW, TAPPING (4X12).....	A6 B6	-----	-----	2	93901-24320	0811836
6	SCREW, TAPPING (4X12).....	A6 B6	-----	-----	13	93903-22420	4485777
7	SCREW, TAPPING (4X16).....	A6 B6	-----	-----	8	93903-24420	0995944
8	SCREW, TAPPING (5X16).....	A6 B6	-----	-----	4	93903-25310	0940692
9	CLIP, WIRE (4X50).....	A6 B6	-----	-----	2	94591-45000	0481150

SWITCH • CABLE



MCTAF0300

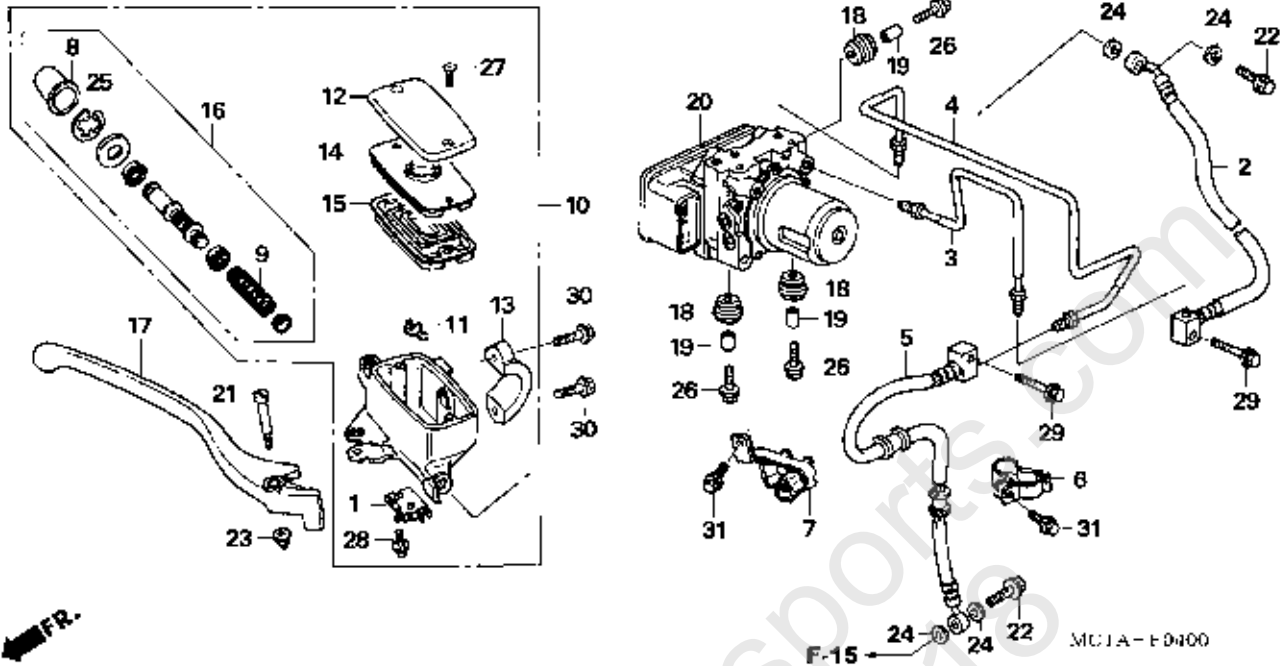
A6=FSC600A'06
B6=FSC600D'06

F-3

Frame
Serial Number

Ref	Description	Model	From	To	QTY	Part Number	H/C
1	CABLE A, THROTTLE	A6 B6	-----	-----	1	17910-MCT-771	7925670
2	CABLE B, THROTTLE	A6 B6	-----	-----	1	17920-MCT-771	7925688
3	SWITCH SET, STARTER STOP	A6 B6	-----	-----	1	35013-MCT-682	7950363
4	SWITCH SET, TURN SIGNAL	A6 B6	-----	-----	1	35020-MCT-680	6959894
5	GRIP, THROTTLE	A6 B6	-----	-----	1	53140-KPB-000	6853105
6	GRIP, R. HANDLE	A6 B6	-----	-----	1	53165-MY9-890	5215371
7	GRIP, L. HANDLE	A6 B6	-----	-----	1	53166-MY9-890	5215389
8	MIRROR, R.	A6 B6	-----	-----	1	88210-MCT-013	7055163
9	MIRROR, L.	A6 B6	-----	-----	1	88220-MCT-013	7055171
10	NUT, LOCK	A6 B6	-----	-----	2	90314-MB6-000	1755354
11	SCREW-WASHER (5X20)	A6 B6	-----	-----	1	93892-05020-07	1078351
12	SCREW-WASHER (5X25)	A6 B6	-----	-----	1	93892-05025-07	1113539
13	SCREW-WASHER (5X35)	A6 B6	-----	-----	1	93892-05035-07	0692681
14	SCREW-WASHER (5X45)	A6 B6	-----	-----	1	93892-05045-07	0692699

FRONT BRAKE MASTER CYLINDER (FSC600A)



MCTAF0400

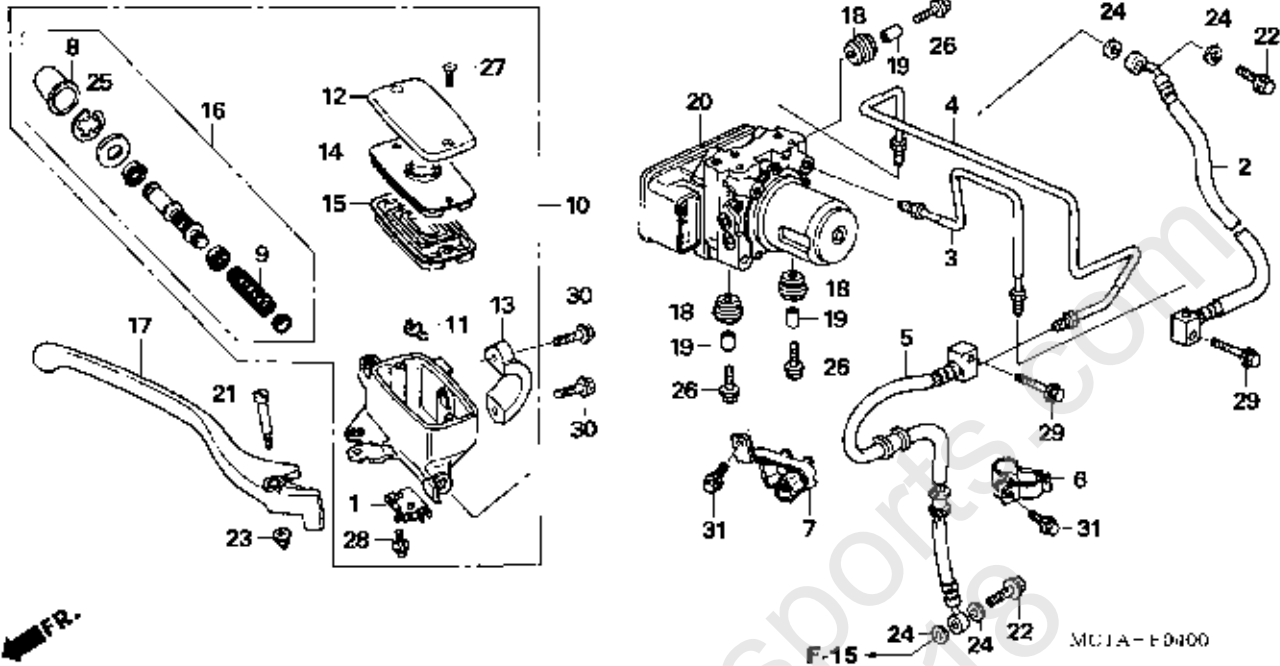
A6=FSC600A'06
B6=FSC600D'06

F-4

Frame
Serial Number

Ref	Description	Model	From	To	QTY	Part Number	H/C
1	SWITCH ASSY., FR. STOP	A6	-----	-----	1	35340-MM5-600	2542421
2	HOSE A, FR. BRAKE	A6	-----	-----	1	45125-MCT-911	7396633
3	PIPE B, FR. BRAKE	A6	-----	-----	1	45126-MCT-910	7396641
4	PIPE C, FR. BRAKE	A6	-----	-----	1	45127-MCT-910	7396658
5	HOSE D, FR. BRAKE	A6	-----	-----	1	45128-MCT-911	7396666
6	CLAMP, BRAKE HOSE	A6	-----	-----	1	45130-MCT-D10	7928468
7	CLAMP, BRAKE HOSE	A6	-----	-----	1	45135-MCT-910	7396690
8	BOOT	A6	-----	-----	1	45504-410-003	1211820
9	SPRING	A6	-----	-----	1	45506-KA3-731	1554310
	SPRING	A6	-----	-----	1	45506-KA3-831	5667282
10	MASTER CYLINDER SUB-ASSY., FR. BRAKE	A6	-----	-----	1	45510-MCT-006	6960470
11	PROTECTOR	A6	-----	-----	1	45512-MA6-006	1235688
12	CAP, MASTER CYLINDER (NISSIN)	A6	-----	-----	1	45513-MM5-016	7088354
13	HOLDER, MASTER CYLINDER	A6	-----	-----	1	45517-166-006	1082338
14	PLATE, DIAPHRAGM (NISSIN)	A6	-----	-----	1	45518-MM5-006	2550325
15	DIAPHRAGM (NISSIN)	A6	-----	-----	1	45520-MM5-006	2550333
16	MASTER CYLINDER SET	A6	-----	-----	1	45530-MN9-305	2899870

FRONT BRAKE MASTER CYLINDER (FSC600A)



MCTAF0400

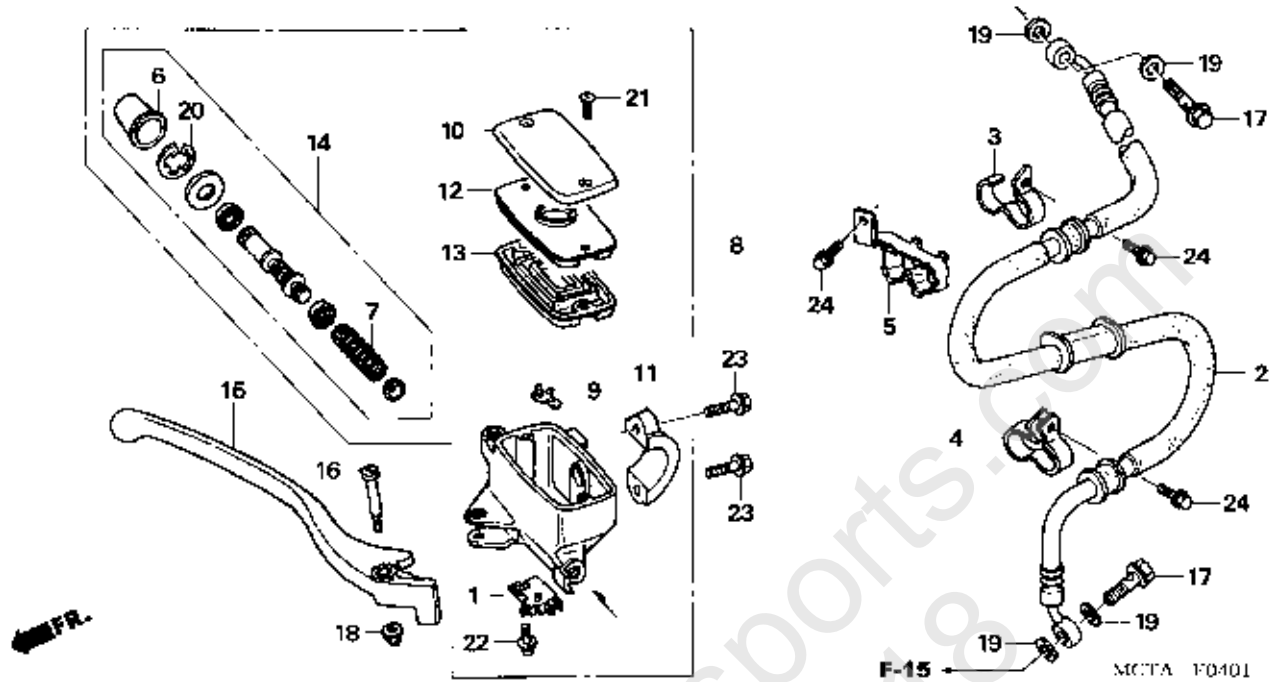
A6=FSC600A'06
B6=FSC600D'06

F-4

Frame
Serial Number

Ref	Description	Model	From	To	QTY	Part Number	H/C
17	LEVER, R. HANDLEBAR	A6	-----	-----	1	53175-ML5-006	2827947
18	RUBBER, MOUNT	A6	-----	-----	3	57101-SDA-003	7140338
19	COLLAR	A6	-----	-----	3	57103-SDA-003	7140353
20	MODULATOR ASSY.	A6	-----	-----	1	57110-MCT-912	7655921
21	BOLT, R. HANDLEBAR PIVOT	A6	-----	-----	1	90114-MA5-671	0952416
22	BOLT, OIL (10X22).....	A6	-----	-----	2	90145-MS9-612	5369418
23	NUT, CAP (6MM)	A6	-----	-----	1	90201-415-000	0670729
24	WASHER, OIL BOLT	A6	-----	-----	4	90545-300-000	0189902
25	CIRCLIP	A6	-----	-----	1	90651-MA5-671	1251404
26	BOLT-WASHER (6X25)	A6	-----	-----	3	93404-06025-00	3473428
27	SCREW, FLAT (4X12)	A6	-----	-----	2	93600-04012-0G	1218601
	SCREW, FLAT (4X12)	A6	-----	-----	2	93600-04012-1G	1237346
28	SCREW-WASHER (4X12)	A6	-----	-----	1	93893-04012-07	1374008
	SCREW-WASHER (4X12)	A6	-----	-----	1	93893-04012-17	1237353
29	BOLT, FLANGE (6X40)	A6	-----	-----	2	95701-06040-00	2410942
30	BOLT, FLANGE (6X22)	A6	-----	-----	2	96001-06022-07	2105971
31	BOLT, FLANGE (6X12)	A6	-----	-----	2	96300-06012-00	1829878

FRONT BRAKE MASTER CYLINDER (FSC600D)



MCTAF0401

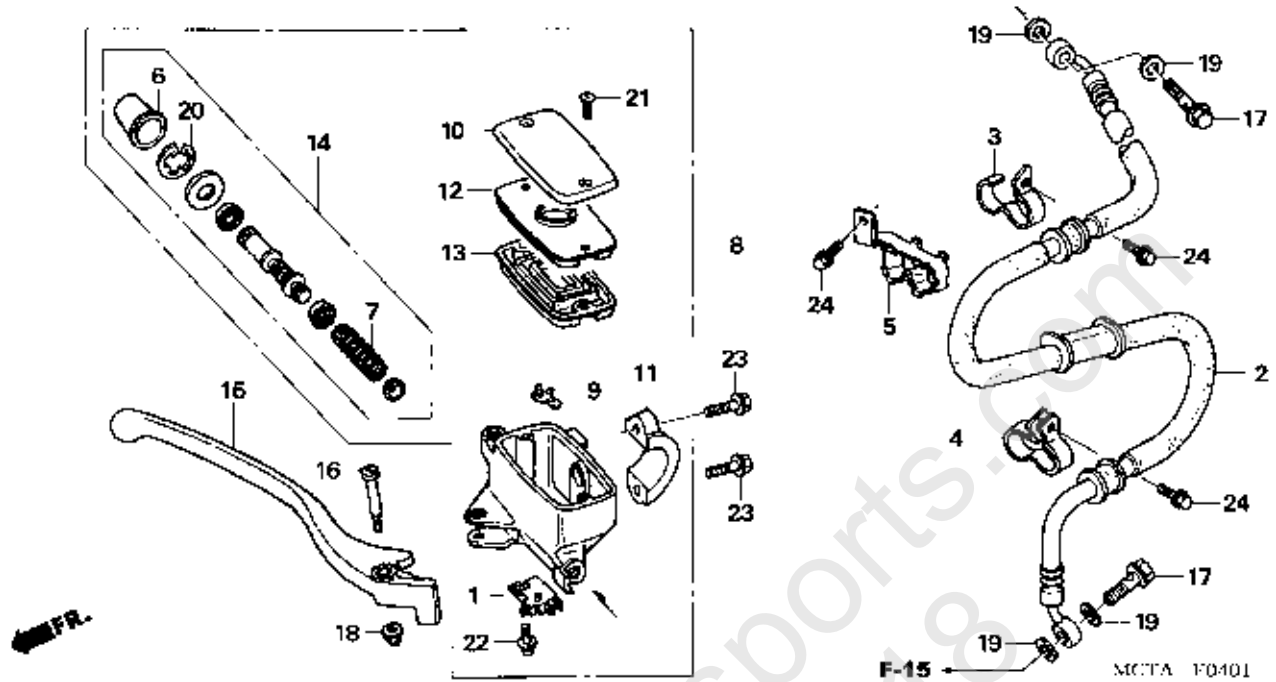
A6=FSC600A'06
B6=FSC600D'06

F-4-1

Frame
Serial Number

Ref	Description	Model	From	To	QTY	Part Number	H/C
1	SWITCH ASSY., FR. STOP	B6	-----	-----	1	35340-MM5-600	2542421
2	HOSE, FR. BRAKE.....	B6	-----	-----	1	45125-MCT-003	6960447
3	CLIP A, BRAKE HOSE.....	B6	-----	-----	1	45127-KFG-000	6682587
4	CLAMP, BRAKE HOSE	B6	-----	-----	1	45131-MCT-D00	7928476
5	CLAMP A, BRAKE HOSE.....	B6	-----	-----	1	45135-KPB-000	6682611
6	BOOT	B6	-----	-----	1	45504-410-003	1211820
7	SPRING	B6	-----	-----	1	45506-KA3-731	1554310
	SPRING	B6	-----	-----	1	45506-KA3-831	5667282
8	MASTER CYLINDER SUB-ASSY., FR. BRAKE	B6	-----	-----	1	45510-MCT-006	6960470
9	PROTECTOR.....	B6	-----	-----	1	45512-MA6-006	1235688
10	CAP, MASTER CYLINDER (NISSIN).....	B6	-----	-----	1	45513-MM5-016	7088354
11	HOLDER, MASTER CYLINDER.....	B6	-----	-----	1	45517-166-006	1082338
12	PLATE, DIAPHRAGM (NISSIN).....	B6	-----	-----	1	45518-MM5-006	2550325
13	DIAPHRAGM (NISSIN).....	B6	-----	-----	1	45520-MM5-006	2550333
14	MASTER CYLINDER SET	B6	-----	-----	1	45530-MM9-305	2899870
15	LEVER, R. HANDLEBAR	B6	-----	-----	1	53175-ML5-006	2827947
16	BOLT, R. HANDLEBAR PIVOT	B6	-----	-----	1	90114-MA5-671	0952416

FRONT BRAKE MASTER CYLINDER (FSC600D)



MCTAF0401

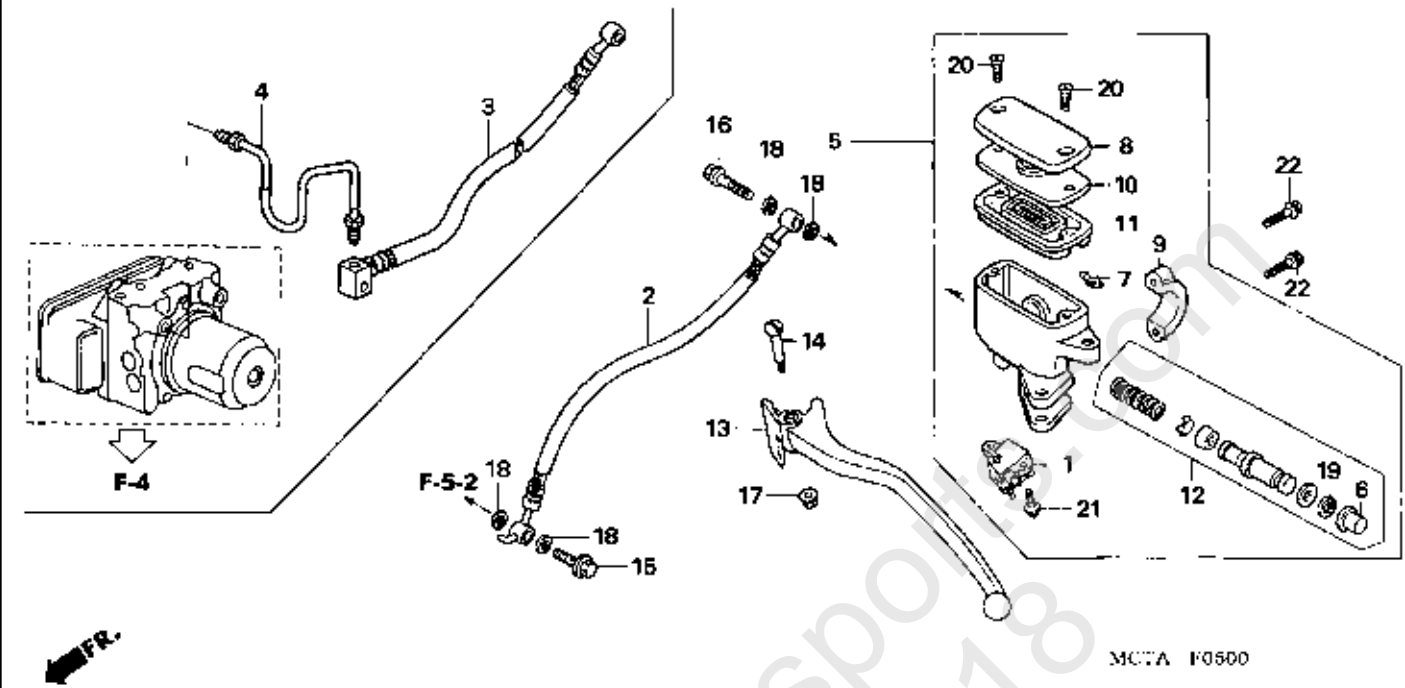
A6=FSC600A'06
B6=FSC600D'06

F-4-1

Frame
Serial Number

Ref	Description	Model	From	To	QTY	Part Number	H/C
17	BOLT, OIL (10X22).....	B6	-----	-----	2	90145-MS9-612	5369418
18	NUT, CAP (6MM)	B6	-----	-----	1	90201-415-000	0670729
19	WASHER, OIL BOLT	B6	-----	-----	4	90545-300-000	0189902
20	CIRCLIP	B6	-----	-----	1	90651-MA5-671	1251404
21	SCREW, FLAT (4X12)	B6	-----	-----	2	93600-04012-0G	1218601
	SCREW, FLAT (4X12)	B6	-----	-----	2	93600-04012-1G	1237346
22	SCREW-WASHER (4X12)	B6	-----	-----	1	93893-04012-07	1374008
	SCREW-WASHER (4X12)	B6	-----	-----	1	93893-04012-17	1237353
23	BOLT, FLANGE (6X22)	B6	-----	-----	2	96001-06022-07	2105971
24	BOLT, FLANGE (6X12)	B6	-----	-----	3	96300-06012-00	1829878

REAR BRAKE MASTER



MCTAF0500

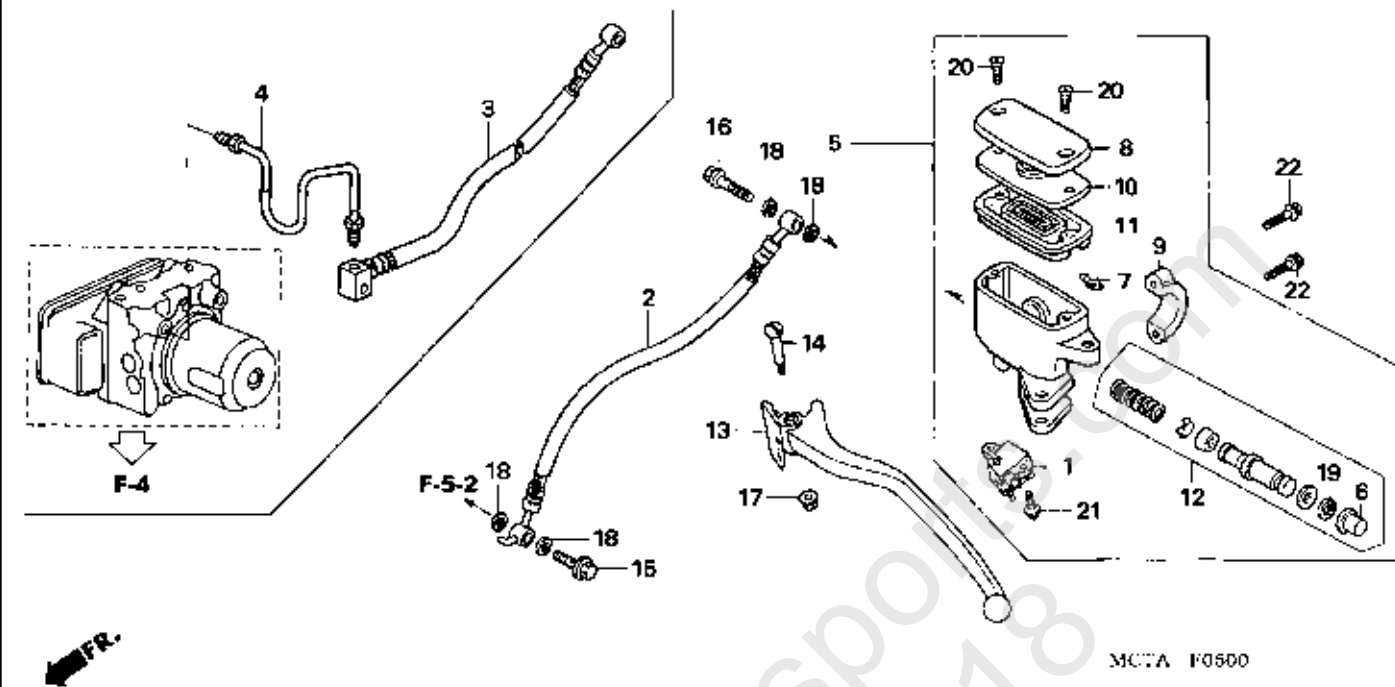
A6=FSC600A'06
B6=FSC600D'06

F-5

Frame
Serial Number

Ref	Description	Model	From	To	QTY	Part Number	H/C
1	SWITCH ASSY., FR. STOP	A6 B6	-----	-----	1	35340-KFG-000	6681993
2	HOSE A, RR. BRAKE.....	B6	-----	-----	1	43311-MCT-003	6960231
3	MAIN HOSE, RR. BRAKE	A6	-----	-----	1	43311-MCT-911	7396534
4	PIPE B, RR. BRAKE.....	A6	-----	-----	1	43312-MCT-910	7396542
5	MASTER CYLINDER SUB-ASSY., RR.	A6 B6	-----	-----	1	43510-MCT-006	6960355
6	BOOT	A6 B6	-----	-----	1	45504-410-003	1211820
7	PROTECTOR.....	A6 B6	-----	-----	1	45512-MA6-006	1235688
8	CAP, MASTER CYLINDER (NISSIN).....	A6 B6	-----	-----	1	45513-MM5-016	7088354
9	HOLDER, MASTER CYLINDER.....	A6 B6	-----	-----	1	45517-166-006	1082338
10	PLATE, DIAPHRAGM (NISSIN).....	A6 B6	-----	-----	1	45518-MM5-006	2550325
11	DIAPHRAGM (NISSIN).....	A6 B6	-----	-----	1	45520-MM5-006	2550333
12	MASTER CYLINDER SET	A6 B6	-----	-----	1	45530-471-831	1544543
13	LEVER, L. HANDLE	A6 B6	-----	-----	1	53178-MCT-006	6874549
14	BOLT, R. HANDLEBAR PIVOT	A6 B6	-----	-----	1	90114-MA5-671	0952416
15	BOLT, OIL (10X34).....	B6	-----	-----	1	90145-MR8-014	5646567
16	BOLT, OIL (10X22).....	A6 B6	-----	-----	1	90145-MS9-612	5369418
17	NUT, CAP (6MM)	A6 B6	-----	-----	1	90201-415-000	0670729
18	WASHER, OIL BOLT	A6	-----	-----	2	90545-300-000	0189902

REAR BRAKE MASTER



MCTAF0500

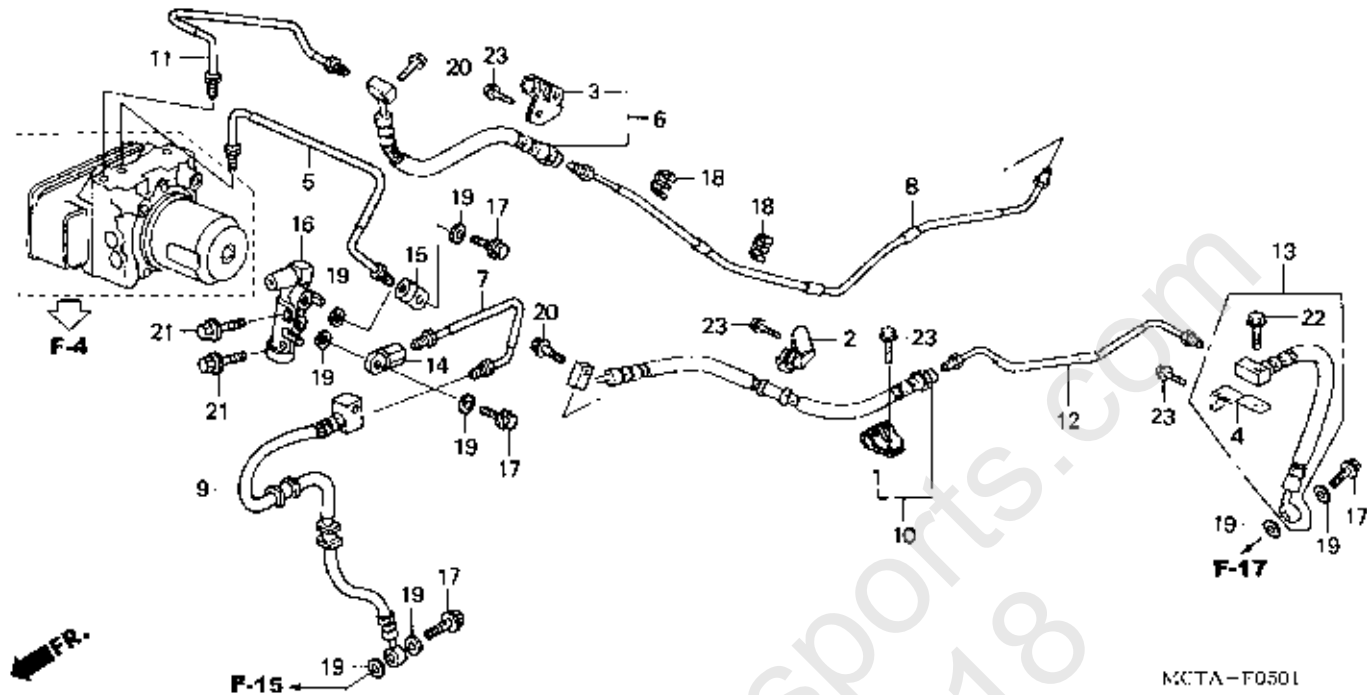
A6=FSC600A'06
B6=FSC600D'06

F-5

Frame
Serial Number

Ref	Description	Model	From	To	QTY	Part Number	H/C
18	WASHER, OIL BOLT	B6	-----	-----	4	90545-300-000	0189902
19	CIRCLIP	A6 B6	-----	-----	1	90651-MA5-671	1251404
20	SCREW, FLAT (4X12)	A6 B6	-----	-----	2	93600-04012-0G	1218601
	SCREW, FLAT (4X12)	A6 B6	-----	-----	2	93600-04012-1G	1237346
21	SCREW-WASHER (4X12)	A6 B6	-----	-----	2	93893-04012-07	1374008
	SCREW-WASHER (4X12)	A6 B6	-----	-----	2	93893-04012-17	1237353
22	BOLT, FLANGE (6X22)	A6 B6	-----	-----	2	96001-06022-07	2105971

REAR BRAKE PIPE (FSC600A)



MCTA-F050L

MCTAF0501

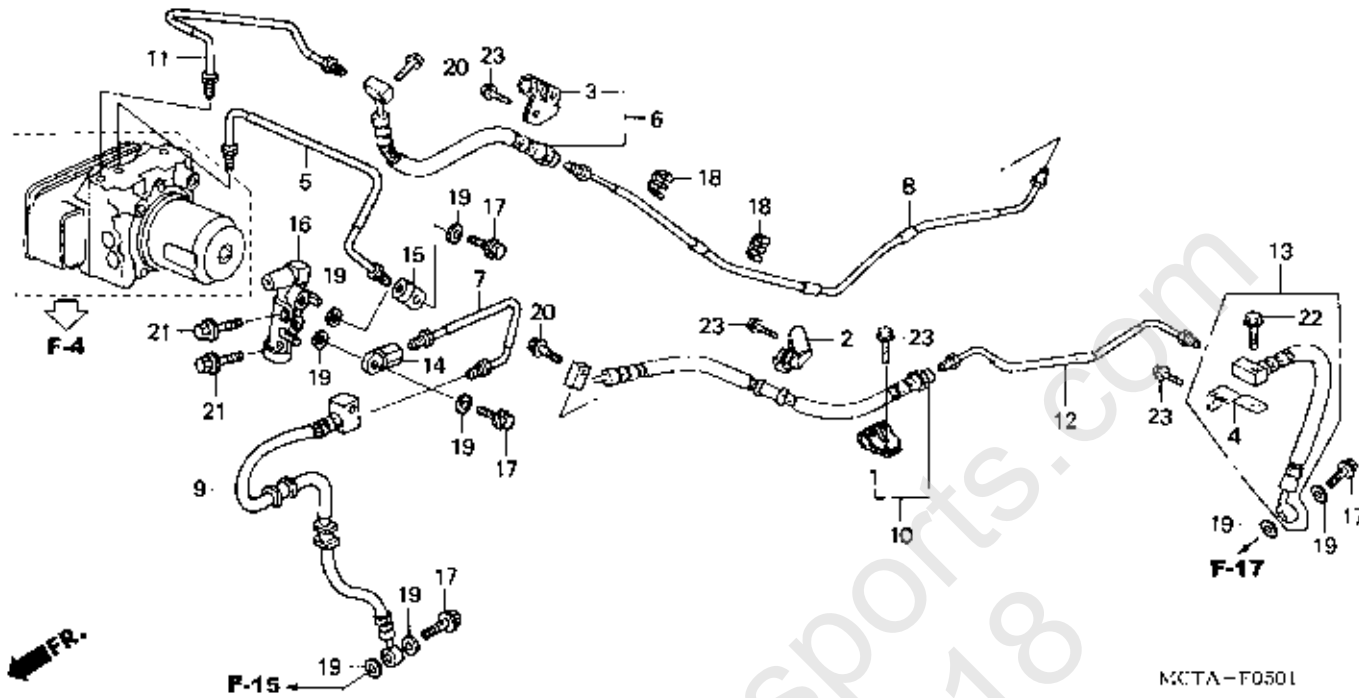
A6=FSC600A'06
B6=FSC600D'06

F-5-1

Frame
Serial Number

Ref	Description	Model	From	To	QTY	Part Number	H/C
1	CLAMP B, RR. BRAKE HOSE	A6	-----	-----	1	43157-MCT-000	6960140
2	CLIP, RR. BRAKE HOSE	A6	-----	-----	1	43158-MCT-000	6960157
3	CLAMP, RR. BRAKE HOSE	A6	-----	-----	1	43159-KFG-000	6682306
4	STAY, RR. BRAKE HOSE	A6	-----	-----	1	43159-MCT-000	6960165
5	PIPE C, RR. BRAKE	A6	-----	-----	1	43313-MCT-910	7396559
6	HOSE D, RR. BRAKE	A6	-----	-----	1	43314-MCT-003	6960264
7	PIPE D, RR. BRAKE	A6	-----	-----	1	43314-MCT-910	7396567
8	PIPE E, RR. BRAKE	A6	-----	-----	1	43315-MCT-000	6960272
9	HOSE E, RR. BRAKE	A6	-----	-----	1	43315-MCT-911	7396575
10	HOSE F, RR. BRAKE	A6	-----	-----	1	43316-MCT-003	6960280
11	PIPE F, RR. BRAKE	A6	-----	-----	1	43316-MCT-910	7396583
12	PIPE G, RR. BRAKE	A6	-----	-----	1	43317-MCT-000	6960298
13	HOSE H, RR. BRAKE	A6	-----	-----	1	43318-MCT-003	6960306
14	JOINT, RR. MASTER CYLINDER PIPE	A6	-----	-----	1	43321-MBG-003	5741210
15	JOINT, MASTER CYLINDER PIPE (A)	A6	-----	-----	1	43321-MY4-003	3819224
16	VALVE ASSY., DELAY	A6	-----	-----	1	46300-MCT-912	8136996
17	BOLT, OIL (10X22)	A6	-----	-----	4	90145-MS9-612	5369418
18	CLAMP, PIPE	A6	-----	-----	2	90505-MCT-000	6962278

REAR BRAKE PIPE (FSC600A)



MCTAF0501

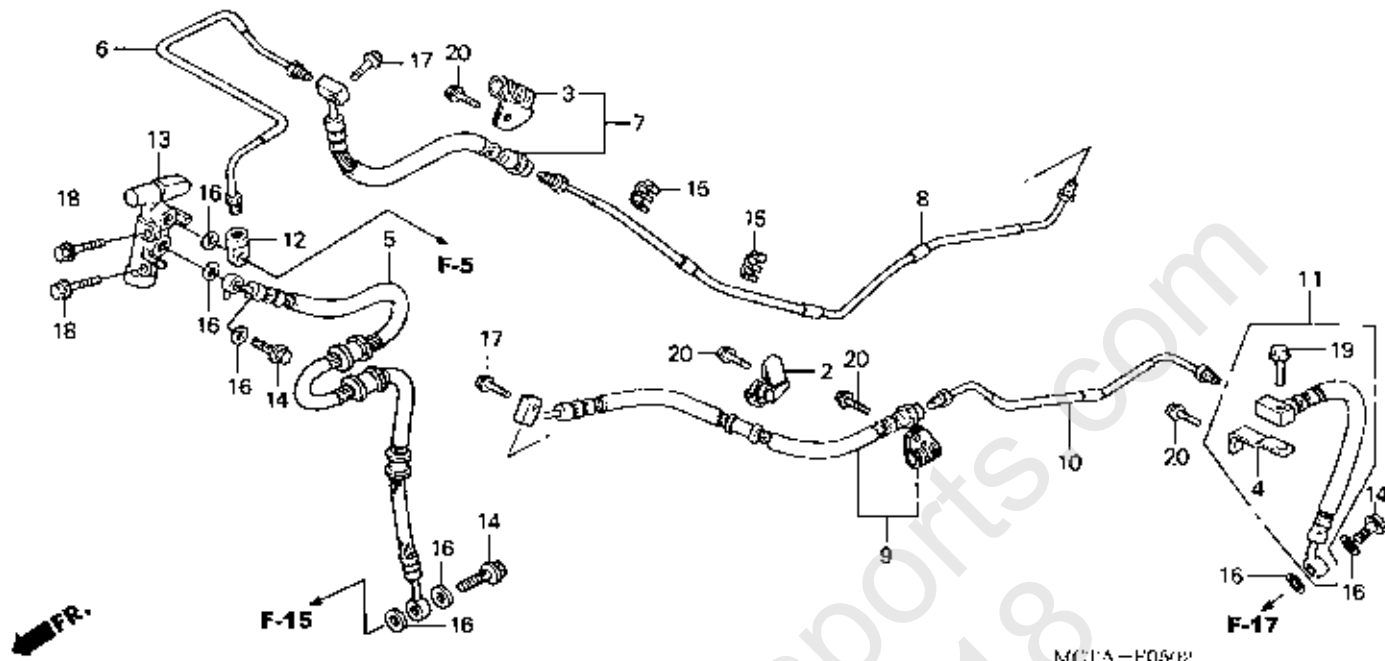
A6=FSC600A'06
B6=FSC600D'06

F-5-1

Frame
Serial Number

Ref	Description	Model	From	To	QTY	Part Number	H/C
19	WASHER, OIL BOLT	A6	-----	-----	8	90545-300-000	0189902
20	BOLT, FLANGE (6X22)	A6	-----	-----	2	95701-06022-00	2105823
21	BOLT, FLANGE (6X28)	A6	-----	-----	2	95701-06028-08	2488500
22	BOLT, FLANGE (6X22)	A6	-----	-----	1	95701-06022-07	2410926
	BOLT, FLANGE (6X22)	A6	-----	-----	1	95801-06022-07	2902559
23	BOLT, FLANGE (6X12)	A6	-----	-----	4	96300-06012-07	2006054

REAR BRAKE PIPE (FSC600D)



MCTAF0502

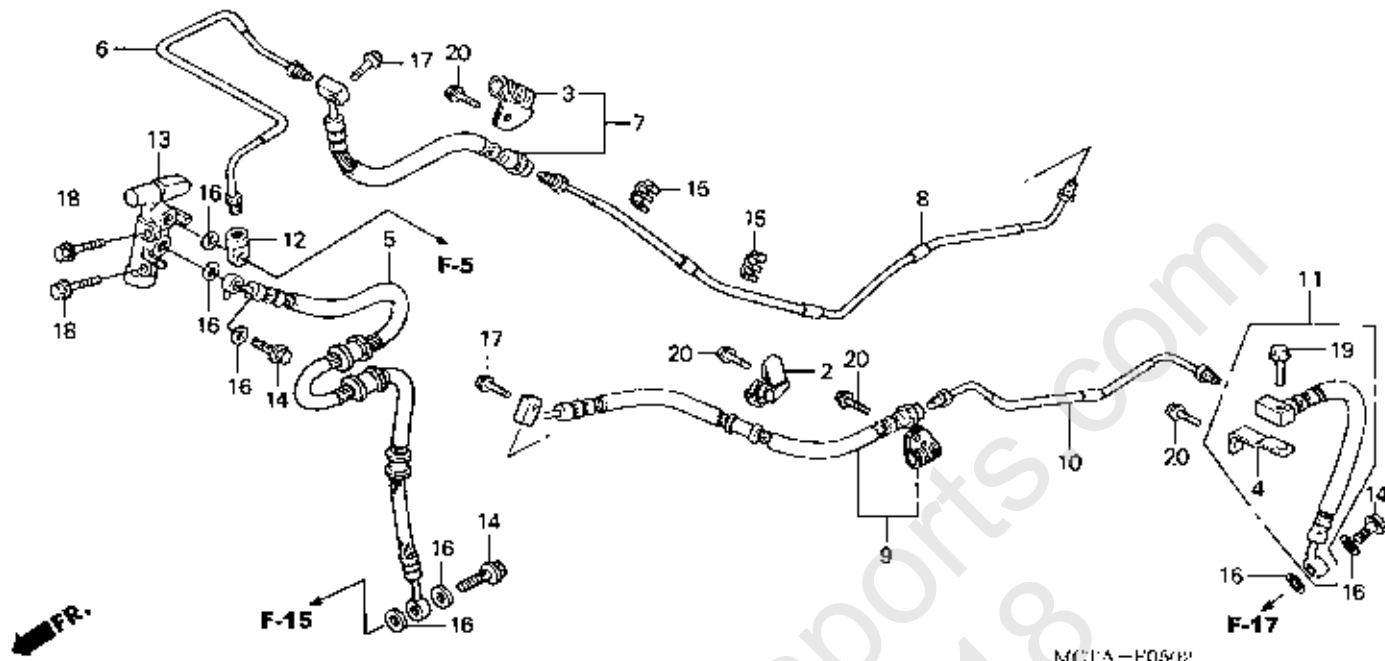
A6=FSC600A'06
B6=FSC600D'06

F-5-2

Frame
Serial Number

Ref	Description	Model	From	To	QTY	Part Number	H/C
1	CLAMP B, RR. BRAKE HOSE	B6	-----	-----	1	43157-MCT-000	6960140
2	CLIP, RR. BRAKE HOSE	B6	-----	-----	1	43158-MCT-000	6960157
3	CLAMP, RR. BRAKE HOSE.....	B6	-----	-----	1	43159-KFG-000	6682306
4	STAY, RR. BRAKE HOSE	B6	-----	-----	1	43159-MCT-000	6960165
5	HOSE B, RR. BRAKE.....	B6	-----	-----	1	43312-MCT-003	6960249
6	PIPE C, RR. BRAKE.....	B6	-----	-----	1	43313-MCT-000	6960256
7	HOSE D, RR. BRAKE.....	B6	-----	-----	1	43314-MCT-003	6960264
8	PIPE E, RR. BRAKE.....	B6	-----	-----	1	43315-MCT-000	6960272
9	HOSE F, RR. BRAKE.....	B6	-----	-----	1	43316-MCT-003	6960280
10	PIPE G, RR. BRAKE	B6	-----	-----	1	43317-MCT-000	6960298
11	HOSE H, RR. BRAKE.....	B6	-----	-----	1	43318-MCT-003	6960306
12	JOINT, MASTER CYLINDER PIPE (A)	B6	-----	-----	1	43321-MY4-003	3819224
13	VALVE ASSY., DELAY.....	B6	-----	-----	1	46300-MCT-016	8200073
14	BOLT, OIL (10X22).....	B6	-----	-----	3	90145-MS9-612	5369418
15	CLAMP, PIPE	B6	-----	-----	2	90505-MCT-000	6962278
16	WASHER, OIL BOLT	B6	-----	-----	7	90545-300-000	0189902
17	BOLT, FLANGE (6X22)	B6	-----	-----	2	95701-06022-00	2105823
18	BOLT, FLANGE (6X28)	B6	-----	-----	2	95701-06028-08	2488500

REAR BRAKE PIPE (FSC600D)



MCTAF0502

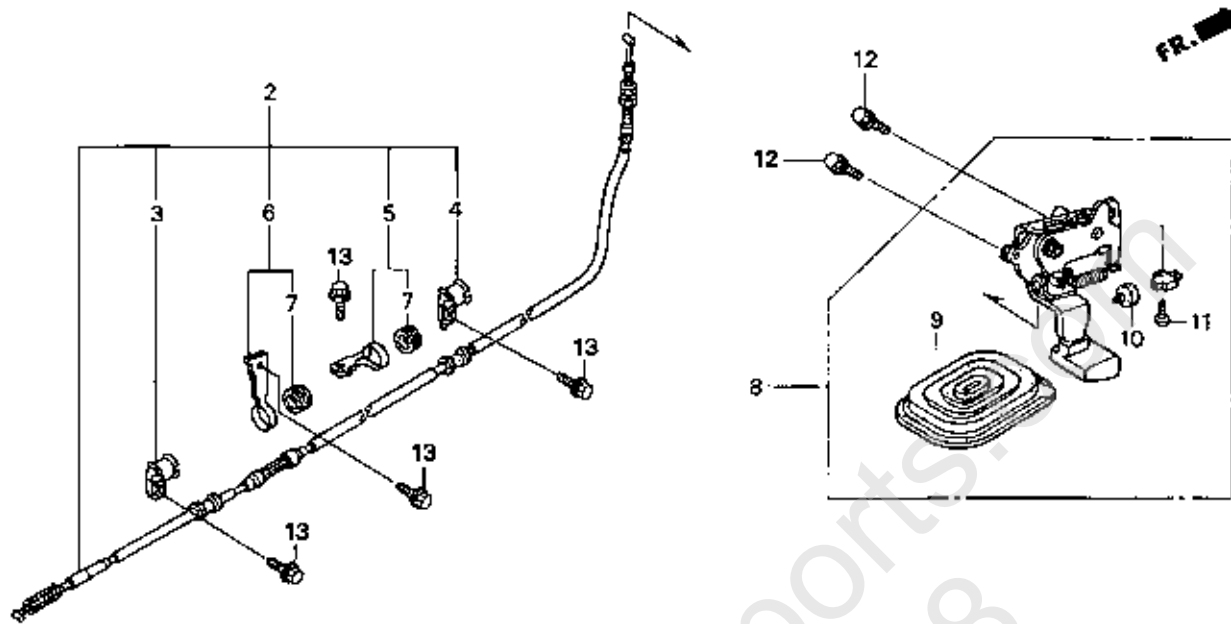
A6=FSC600A'06
B6=FSC600D'06

F-5-2

Frame
Serial Number

Ref	Description	Model	From	To	QTY	Part Number	H/C
19	BOLT, FLANGE (6X22)	B6	-----	-----	1	95701-06022-07	2410926
	BOLT, FLANGE (6X22)	B6	-----	-----	1	95801-06022-07	2902559
20	BOLT, FLANGE (6X12)	B6	-----	-----	4	96300-06012-07	2006054

PARKING BRAKE



MCTA F0503

MCTAF0503

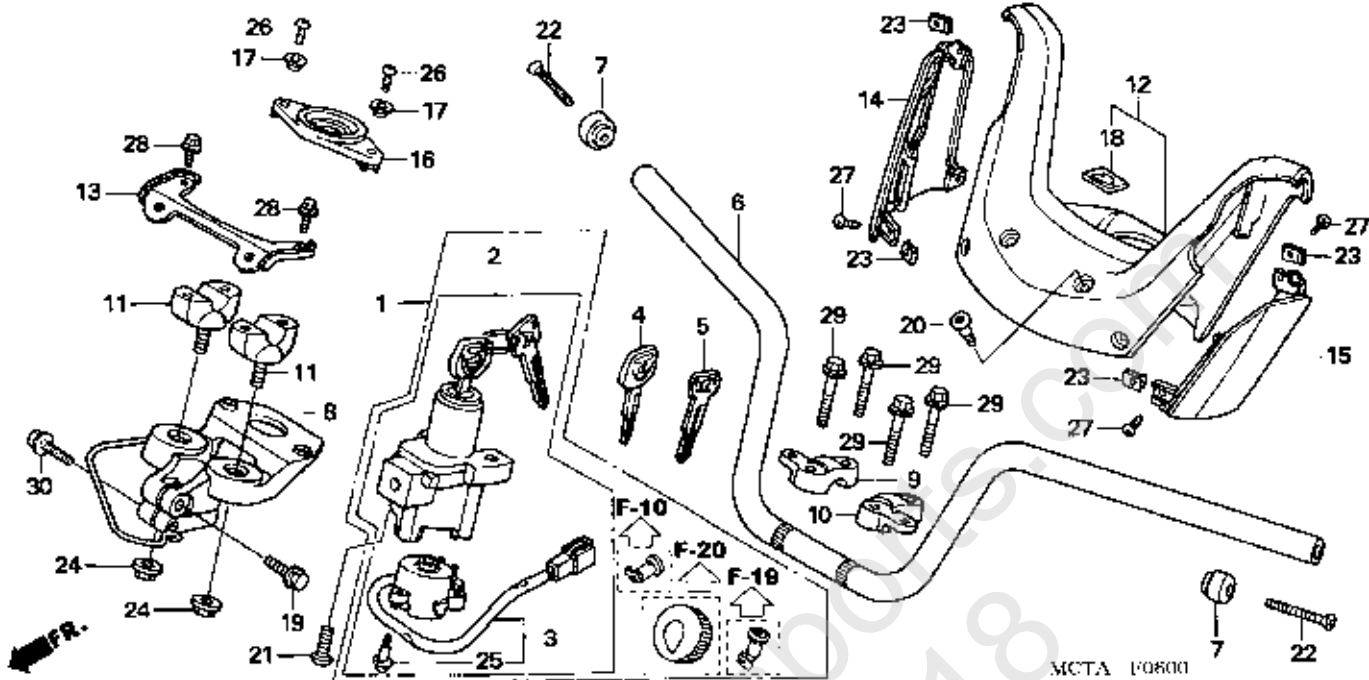
A6=FSC600A'06
B6=FSC600D'06

F-5-3

Frame
Serial Number

Ref	Description	Model	From	To	QTY	Part Number	H/C
1	SWITCH ASSY., CLUTCH	A6	-----	-----	1	35330-MK5-003	2898849
2	CABLE, PARKING BRAKE.....	A6	-----	-----	1	43450-MCT-000	6960314
3	CLAMP, RR. BRAKE CABLE	A6	-----	-----	1	43455-MCT-000	6960322
4	CLAMP B, RR. BRAKE CABLE	A6	-----	-----	1	43456-KPB-000	6682470
5	GUIDE ASSY., BRAKE CABLE	A6	-----	-----	1	43460-MCT-000	6960330
6	GUIDE ASSY., BRAKE CABLE	A6	-----	-----	1	43470-MCT-000	6960348
7	GUIDE, CABLE (INNER)	A6	-----	-----	2	45466-329-000	0293324
8	LEVER, HAND BRAKE.....	A6	-----	-----	1	47105-MCT-003	6960496
9	BOOT, BRAKE LEVER.....	A6	-----	-----	1	47160-MCT-000	6960504
10	RUBBER, STAND STOPPER	A6	-----	-----	1	50505-GA7-730	1488139
11	SCREW, TAPPING (3X10).....	A6	-----	-----	1	93901-22210	1258516
12	BOLT, FLANGE (8X14)	A6	-----	-----	2	95701-08014-00	2529105
13	BOLT, FLANGE (6X12)	A6	-----	-----	4	96300-06012-07	2006054

HANDLEBAR • HANDLE COVER



MCTAF0600

A6=FSC600A'06
B6=FSC600D'06

F-6

Frame
Serial Number

Ref	Description	Model	From	To	QTY	Part Number	H/C
1	LOCK SET	A6 B6	-----	-----	1	35010-MCT-681	7958580
2	SWITCH ASSY., COMBINATION & LOCK	A6 B6	-----	-----	1	35100-MCT-681	7054745
3	BASE, CONTACT.....	A6 B6	-----	-----	1	35101-MCT-691	6959910
4	KEY, BLANK (TYPE1)	A6 B6	-----	-----	(1)	35121-MAS-G01	5729884
5	KEY, BLANK (TYPE1)	A6 B6	-----	-----	(1)	35125-MAS-G01	6077150
6	HANDLEBAR	A6 B6	-----	-----	1	53100-MEF-000	7121072
7	WEIGHT, HANDLE.....	A6 B6	-----	-----	2	53104-KY6-010	6417778
8	POST, HANDLE	A6 B6	-----	-----	1	53110-MCT-720	7661929
9	HOLDER, R. HANDLE (UPPER)	A6 B6	-----	-----	1	53111-HC3-000	2487056
10	HOLDER, L. HANDLE (UPPER)	A6 B6	-----	-----	1	53121-HC3-000	2487064
11	HOLDER, HANDLE (LOWER)	A6 B6	-----	-----	2	53130-HB3-770	2434355
12	COVER, HANDLE	A6 B6	-----	-----	1	53250-MCT-691	7623135
13	STAY, HANDLE COVER	A6 B6	-----	-----	1	53255-KPB-000	6683205
14	COVER, R. HANDLE (LOWER).....	A6 B6	-----	-----	1	53261-MCT-000	6961106
15	COVER, L. HANDLE (LOWER)	A6 B6	-----	-----	1	53271-MCT-000	6961114
16	COVER, COMBINATION & LOCK SWITCH	A6 B6	-----	-----	1	53281-MCT-680	7054976
17	COLLAR, HEADLIGHT SETTING	A6 B6	-----	-----	2	61304-397-830	2042547
18	EMBLEM, PRODUCT.....	A6 B6	-----	-----	1	86150-KPG-901	7580889

HANDLEBAR • HANDLE COVER

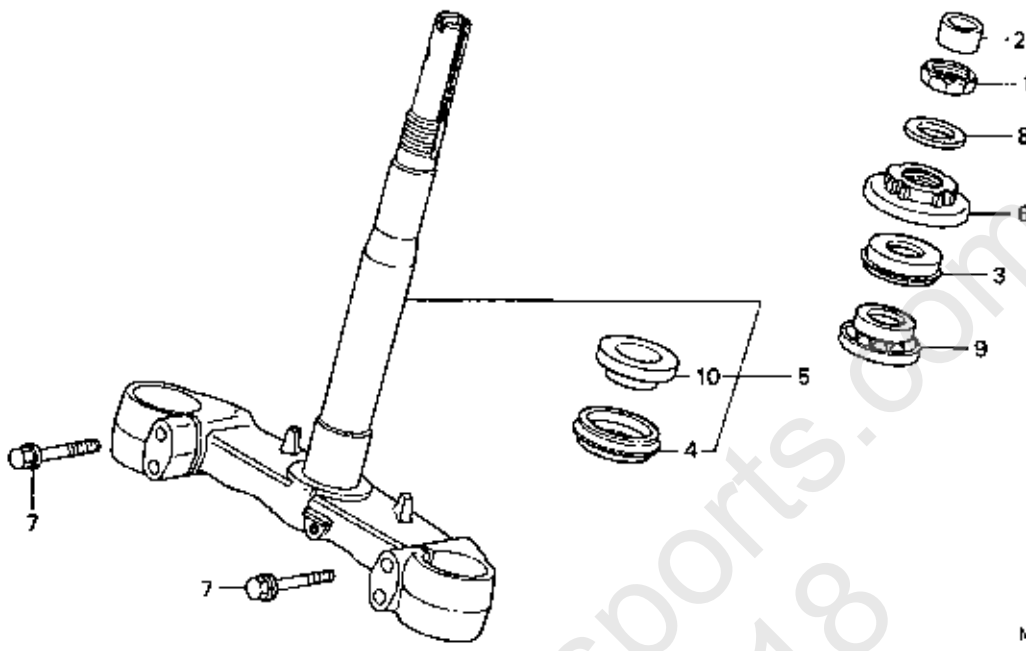
A6=FSC600A'06
B6=FSC600D'06

F-6

Frame
Serial Number

Ref	Description	Model	From	To	QTY	Part Number	H/C
19	BOLT, FLANGE (12X35)	A6 B6	-----	-----	1	90102-MCT-000	6962120
20	SCREW, SPECIAL (6MM)	A6 B6	-----	-----	2	90106-KCZ-000	4774329
21	BOLT, ONE-WAY (8MM)	A6 B6	-----	-----	2	90107-MBG-000	5742648
22	SCREW, OVAL (6X35).....	A6 B6	-----	-----	2	90107-MCT-771	8108870
23	NUT, SPRING (4MM).....	A6 B6	-----	-----	4	90302-KPB-000	6684450
24	NUT, AXLE (10MM)	A6 B6	-----	-----	2	90304-GA6-003	1023969
25	SCREW, TAPPING (3X16).....	A6 B6	-----	-----	3	91059-KY2-711	3226867
26	SCREW, PAN (5X12).....	A6 B6	-----	-----	2	93500-05012-0A	0173567
27	SCREW, TAPPING (4X12).....	A6 B6	-----	-----	4	93903-34380	0737999
28	BOLT, FLANGE (6X10)	A6 B6	-----	-----	2	95701-06010-00	2410876
29	BOLT, FLANGE (8X35)	A6 B6	-----	-----	4	95701-08035-08	2563260
30	BOLT, FLANGE (10X35)	A6 B6	-----	-----	1	95701-10035-08	2514784

STEERING STEM



MCTA-F0700

MCTAF0700

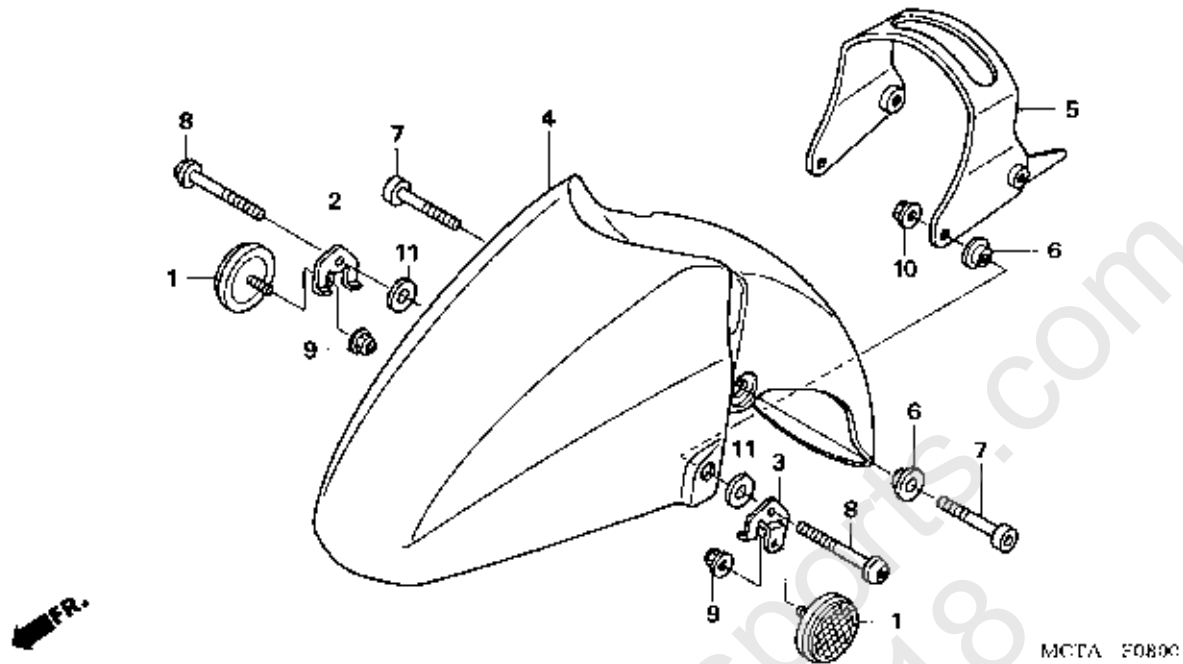
A6=FSC600A'06
B6=FSC600D'06

F-7

Frame
Serial Number

Ref	Description	Model	From	To	QTY	Part Number	H/C
1	NUT, STEERING STEM LOCK	A6 B6	-----	-----	1	50306-GN5-900	3449949
2	TUBE, HANDLE POST.....	A6 B6	-----	-----	1	53113-MCT-010	7057110
3	DUST SEAL, STEERING HEAD	A6 B6	-----	-----	1	53213-MB4-771	1546951
4	DUST SEAL, STEERING HEAD (ARAI).....	A6 B6	-----	-----	1	53214-MR7-003	3450889
5	STEM SUB-ASSY., STEERING.....	A6 B6	-----	-----	1	53219-MCT-000	6961080
6	THREAD, STEERING HEAD (UPPER)	A6 B6	-----	-----	1	53220-422-000	0693101
7	BOLT, FLANGE (10X45)	A6 B6	-----	-----	4	90101-HE0-670	3383874
8	WASHER, LOCK NUT	A6 B6	-----	-----	1	90506-MCT-000	6962286
9	BEARING, HEAD PIPE (UPPER).....	A6 B6	-----	-----	1	91015-KT8-005	2492825
10	BEARING, HEAD PIPE	A6 B6	-----	-----	1	91016-MR7-003	3453792

FRONT FENDER (FSC600A)



MCTAF0800

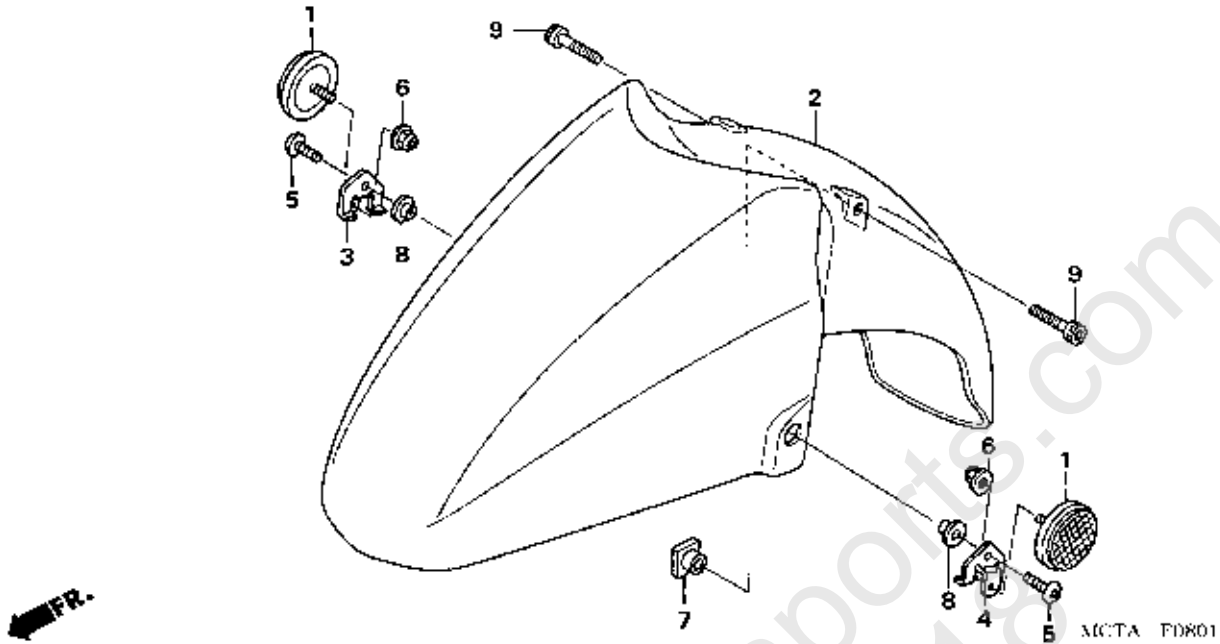
A6=FSC600A'06
B6=FSC600D'06

F-8

Frame
Serial Number

Ref	Description	Model	From	To	QTY	Part Number	H/C
1	REFLECTOR, FR. REFLEX.....	A6	-----	-----	2	33742-HB9-641	2387421
2	STAY, R. FR. REFLECTOR.....	A6	-----	-----	1	61101-MCT-650	7396864
3	STAY, L. FR. REFLECTOR.....	A6	-----	-----	1	61102-MCT-650	7396872
4	FENDER, FR. *PB358M* (DELTA BLUE METALLIC).....	A6	-----	-----	1	61103-MCT-940ZM	8200438
5	BRACKET, FR. FENDER.....	A6	-----	-----	1	61104-MCT-940	7396880
6	COLLAR, RR. GARNISH.....	A6	-----	-----	4	80151-KGB-610	7392061
7	BOLT, SOCKET (8X40).....	A6	-----	-----	2	90106-MCT-940	7397177
8	SCREW, SPECIAL (8X52).....	A6	-----	-----	2	90107-MCT-941	7397185
9	NUT, U (6MM).....	A6	-----	-----	2	90301-MG3-000	1553908
10	NUT, FLANGE (8MM).....	A6	-----	-----	2	94050-08070	3062049
11	WASHER, FLAT (8MM).....	A6	-----	-----	2	94101-08700	0313262

FRONT FENDER (FSC600D)



MCTAF0801

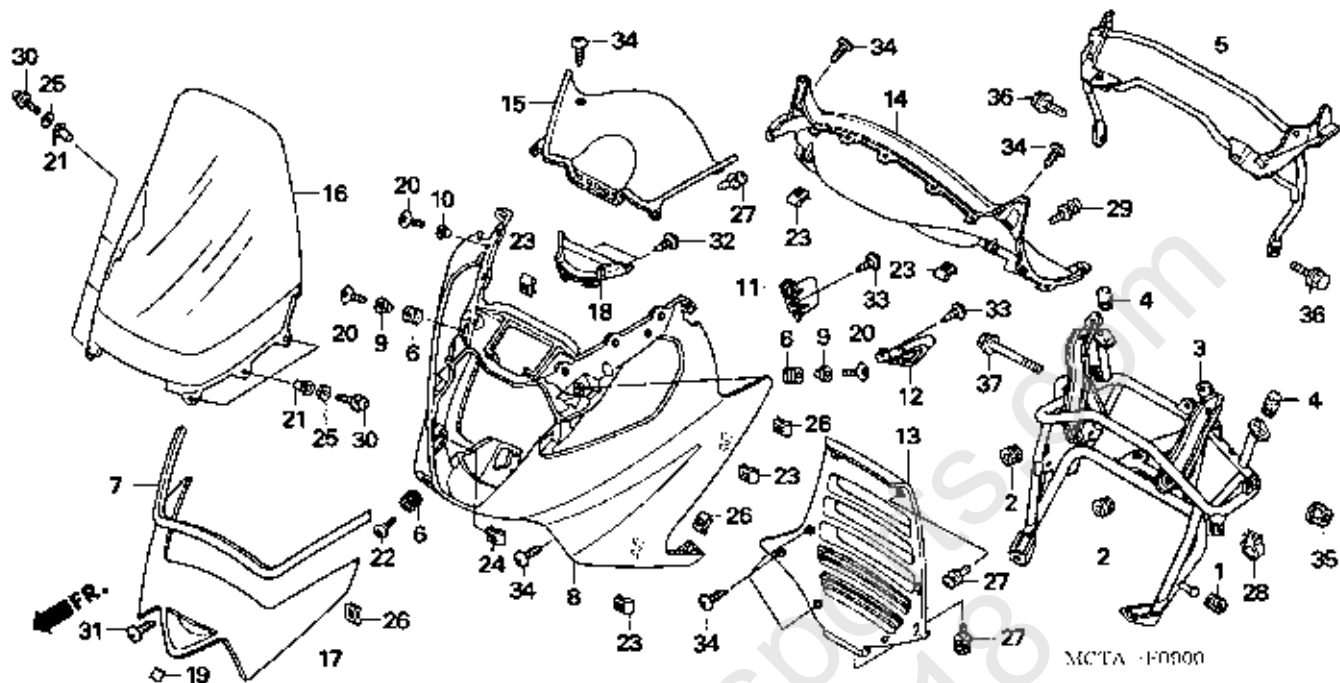
A6=FSC600A'06
B6=FSC600D'06

F-8-1

Frame
Serial Number

Ref	Description	Model	From	To	QTY	Part Number	H/C
1	REFLECTOR, FR. REFLEX.....	B6	-----	-----	2	33742-HB9-641	2387421
2	FENDER, FR. *PB358M* (DELTA BLUE METALLIC).....	B6	-----	-----	1	61100-MCT-000ZQ	8200412
3	STAY, R. FR. REFLECTOR.....	B6	-----	-----	1	61101-MCT-680	6961155
4	STAY, L. FR. REFLECTOR	B6	-----	-----	1	61102-MCT-680	7057128
5	SCREW, PAN (6X14).....	B6	-----	-----	2	90118-MR1-000	2866127
6	NUT, U (6MM)	B6	-----	-----	2	90301-MG3-000	1553908
7	NUT, SPECIAL (6X7).....	B6	-----	-----	2	90303-HA0-680	2380475
8	COLLAR, GEARSHIFT LEVER SETTING ..	B6	-----	-----	2	90522-170-700	0941138
9	BOLT, SOCKET (6X22)	B6	-----	-----	2	96600-06022-00	2322758

FRONT COVER



MCTAF0900

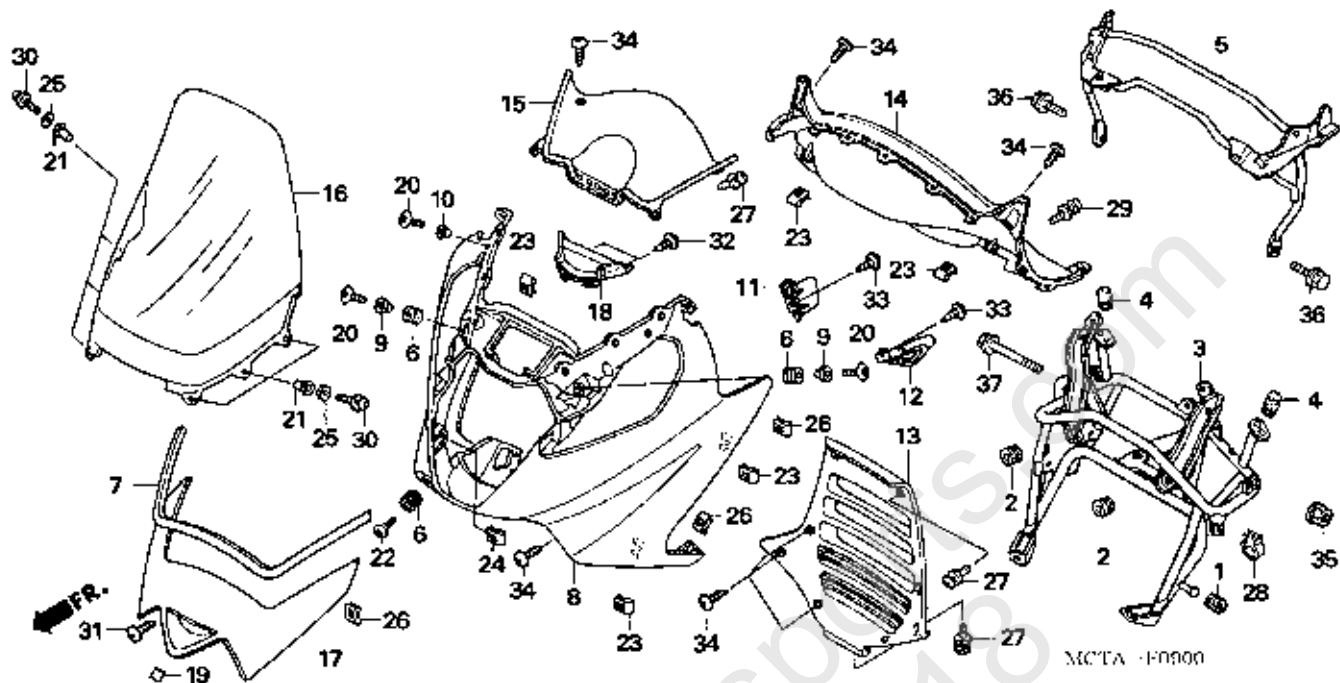
A6=FSC600A'06
B6=FSC600D'06

F-9

Frame
Serial Number

Ref	Description	Model	From	To	QTY	Part Number	H/C
1	RUBBER, FILLER NECK STOPPER	A6 B6	-----	-----	1	19038-ME9-000	1368083
2	RUBBER, RADIATOR SETTING	A6 B6	-----	-----	2	19051-KA4-000	1042266
3	STAY, FR. COVER.....	A6	-----	-----	1	50310-MCT-940	7396740
	STAY, FR. COVER.....	B6	-----	-----	1	50310-MEF-000	6960587
4	RUBBER B, BATTERY HOLDER.....	A6 B6	-----	-----	2	50348-HA7-670	2165504
5	STAY, FR. COVER B	A6 B6	-----	-----	1	50410-MCT-000	6960678
6	RUBBER, HEADLIGHT MOUNTING	A6 B6	-----	-----	4	61315-958-680	1222736
7	MOLDING, WINDSCREEN	A6 B6	-----	-----	1	64105-MCT-010	7057136
8	COVER, FR. *PB358M* (DELTA BLUE METALLIC).....	A6 B6	-----	-----	1	64301-MCT-020ZS	8200511
9	COLLAR, FR. COVER	A6 B6	-----	-----	2	64303-MCT-000	7057151
10	COLLAR, FR. COVER	A6 B6	-----	-----	2	64304-MCT-940	7396930
11	DUCT, R. FR. COVER.....	A6 B6	-----	-----	1	64313-MCT-000	6961247
12	DUCT, L. FR. COVER	A6 B6	-----	-----	1	64323-MCT-000	6961296
13	COVER, FR. (LOWER).....	A6 B6	-----	-----	1	64351-MCT-000	6961346
14	PANEL, METER.....	A6 B6	-----	-----	1	64361-MCT-000	6961353
15	COVER, METER	A6 B6	-----	-----	1	64371-MCT-000	6961387
16	WINDSCREEN.....	A6 B6	-----	-----	1	67101-MCT-680	6961536

FRONT COVER



MCTAF0900

A6=FSC600A'06
B6=FSC600D'06

F-9

Frame
Serial Number

Ref	Description	Model	From	To	QTY	Part Number	H/C
17	GARNISH, SCREEN *PB358M* (DELTA BLUE METALLIC)	A6 B6	-----	-----	1	67111-MCT-030ZS	8200669
18	DUCT, GARNISH	A6 B6	-----	-----	1	67112-MCT-000	6961569
19	RUBBER, GARNISH	A6 B6	-----	-----	1	67113-MCT-940	7397029
20	BOLT, SPECIAL (6X22)	A6 B6	-----	-----	4	90085-KFB-000	5974480
21	NUT, COWL SETTING (5MM)	A6 B6	-----	-----	6	90111-KW3-003	2909141
22	BOLT, COWL SETTING.....	A6 B6	-----	-----	2	90112-MCT-000	7057250
23	NUT, SPRING (4MM)	A6 B6	-----	-----	8	90302-SA4-003	1169861
24	NUT, SPRING (6MM)	A6 B6	-----	-----	4	90320-747-000	3527025
25	WASHER, THRUST (5MM)	A6 B6	-----	-----	6	90504-964-000	4057360
26	NUT, CLIP (5MM).....	A6 B6	-----	-----	6	90677-KAN-961	5750450
27	CLIP, TRIM.....	A6 B6	-----	-----	6	90683-GAZ-003	4529715
28	CLIP, CABLE (20MM).....	A6 B6	-----	-----	1	90690-GHB-661	2847325
29	SCREW-WASHER (5X16)	A6 B6	-----	-----	2	93891-05016-07	0487017
30	SCREW-WASHER (5X20)	A6 B6	-----	-----	6	93891-05020-08	0709261
31	SCREW, TAPPING (4X20).....	A6 B6	-----	-----	2	93903-24580	1642487
32	SCREW, TAPPING (4X12).....	A6 B6	-----	-----	2	93903-34310	0563999
33	SCREW, TAPPING (4X12).....	A6 B6	-----	-----	4	93903-34380	0737999

FRONT COVER

A6=FSC600A'06
B6=FSC600D'06

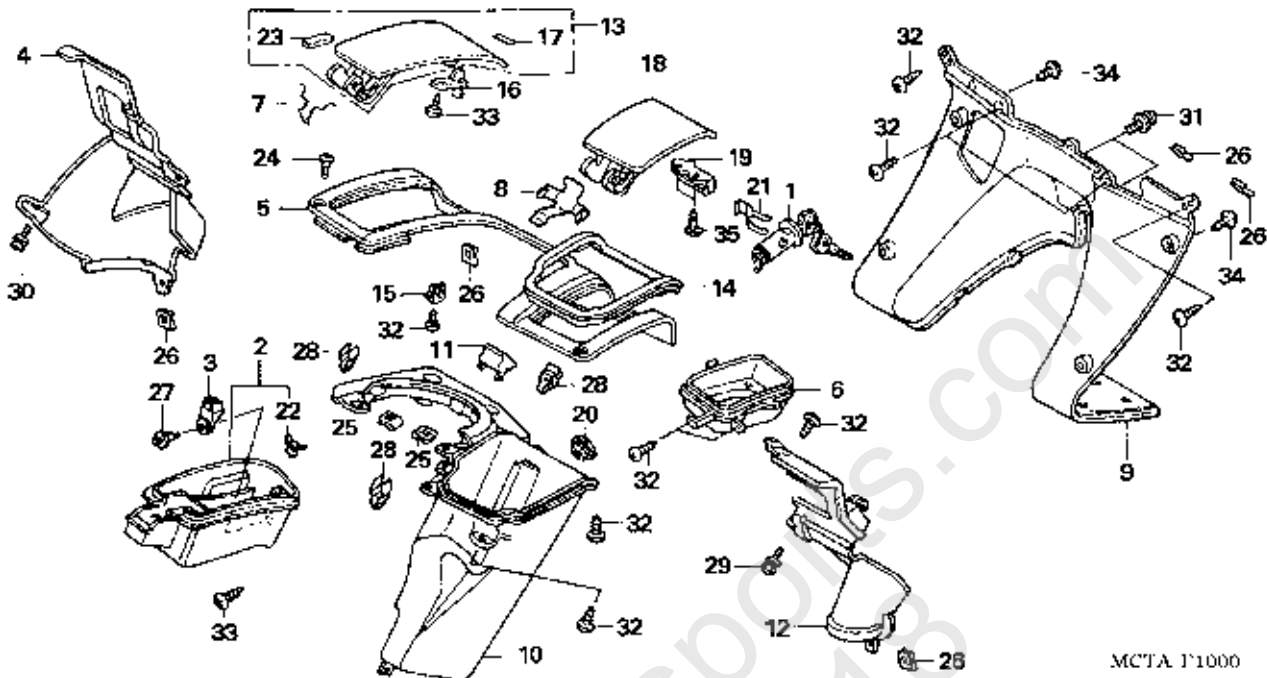
F-9

Frame
Serial Number

Ref	Description	Model	From	To	QTY	Part Number	H/C
34	SCREW, TAPPING (4X16).....	A6 B6	-----	-----	12	93903-34480	1478965
35	NUT, FLANGE (8MM).....	A6 B6	-----	-----	1	94050-08000	0481143
36	BOLT, FLANGE (6X12)	A6 B6	-----	-----	4	95701-06012-00	2105799
37	BOLT, FLANGE (8X40)	A6 B6	-----	-----	2	95801-08040-00	2545408

World of Powersports.com
800-407-7218

INNER BOX



A6=FSC600A'06
B6=FSC600D'06

F-10

Frame
Serial Number

MCTA 11000

MCTAF1000

Ref	Description	Model	From	To	QTY	Part Number	H/C
1	LOCK ASSY., LID.....	A6 B6	-----	-----	1	64228-MCT-000	6961171
2	POCKET ASSY., R. (INNER).....	A6 B6	-----	-----	1	64250-MCT-020	7396906
3	GUIDE, POCKET LID STRIKER	A6 B6	-----	-----	1	64253-MCT-640	7396914
4	COVER, R. FR. AIR DUCT.....	A6 B6	-----	-----	1	64306-MCT-000	6961213
5	COVER (INNER) *PB358M* (DELTA BLUE METALLIC).....	A6 B6	-----	-----	1	64311-MCT-680ZG	8200537
6	COVER, BRAKE LEVER	A6 B6	-----	-----	1	64314-MCT-000	6961254
7	SPRING, R. POCKET LID	A6 B6	-----	-----	1	64318-MCT-831	7057177
8	SPRING, L. POCKET LID.....	A6 B6	-----	-----	1	64319-MCT-831	7057185
9	COVER, FLOOR (UPPER).....	A6 B6	-----	-----	1	64331-MCT-000	6961320
10	PANEL, RR. METER	A6 B6	-----	-----	1	64366-MCT-000	6961361
11	CAP, SWITCH	A6 B6	-----	-----	1	64367-MCT-000	6961379
12	COVER, L. FR. AIR DUCT.....	A6 B6	-----	-----	1	64406-MCT-020	7396955
13	LID SET, R. POCKET *PB358M* (DELTA BLUE METALLIC)	A6 B6	-----	-----	1	64460-MCT-692ZL	8200545
14	SEAL, POCKET LID.....	A6 B6	-----	-----	1	64463-MCT-000	6961445
15	HOLDER, DAMPER.....	A6 B6	-----	-----	1	64464-MCT-000	6961452
16	STRIKER, POCKET LID.....	A6 B6	-----	-----	1	64466-MCT-640	7396997

INNER BOX

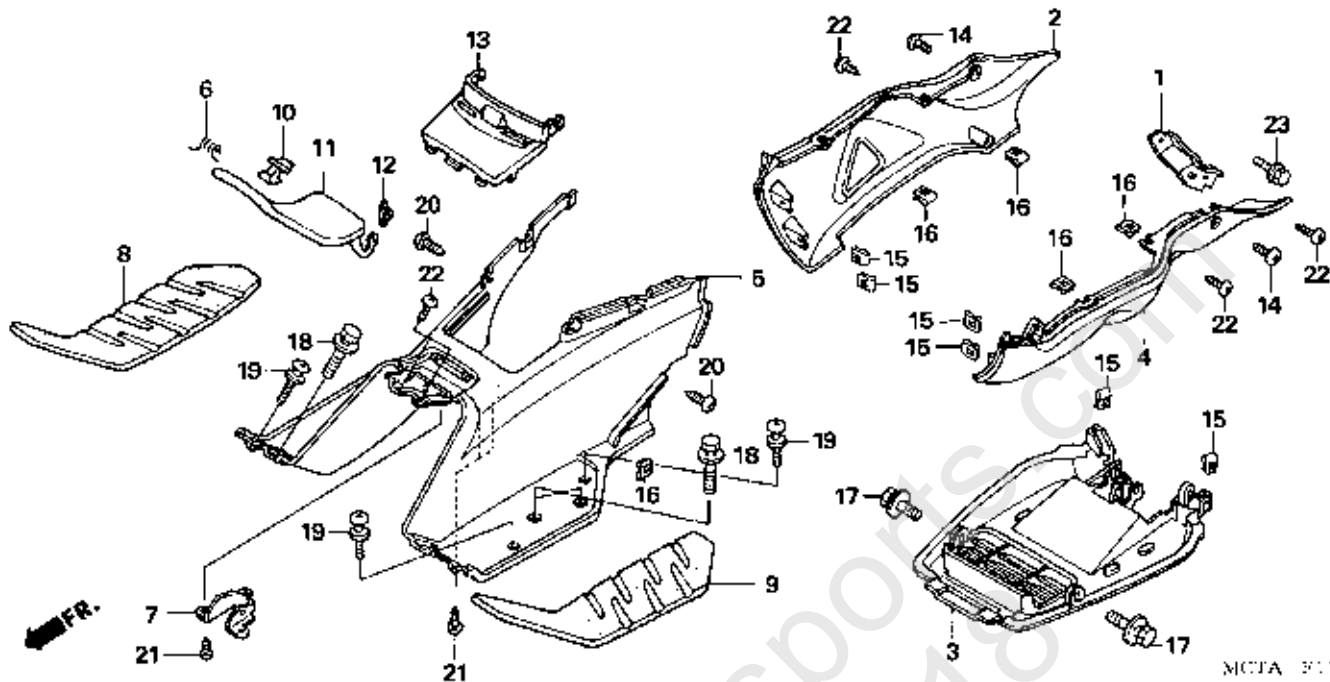
A6=FSC600A'06
B6=FSC600D'06

F-10

Frame
Serial Number

Ref	Description	Model	From	To	QTY	Part Number	H/C
17	MARK, PUSH (TYPE1).....	A6 B6	-----	-----	1	64467-MCT-690ZA	6961486
18	LID, L. POCKET *PB358M* (DELTA BLUE METALLIC).....	A6 B6	-----	-----	1	64471-MCT-692ZL	8200552
19	HOOK, LOCK.....	A6 B6	-----	-----	1	64472-MCT-000	6961510
20	GROMMET B, SIDE PANEL.....	A6 B6	-----	-----	1	70529-657-670	0619601
21	SPRING, LOCK KEY SETTING.....	A6 B6	-----	-----	1	75581-MCT-000	6961593
22	LATCH, TICKET BOX.....	A6 B6	-----	-----	1	77235-KPB-000	6683809
23	RUBBER, FR. PANEL COWL (B).....	A6 B6	-----	-----	4	83507-KV3-830	6961924
24	SCREW, SPECIAL (5X16).....	A6 B6	-----	-----	2	90109-KW3-000	2909133
25	NUT, SPRING (4MM).....	A6 B6	-----	-----	2	90302-KPB-000	6684450
26	NUT, SPRING (4MM).....	A6 B6	-----	-----	5	90302-SA4-003	1169861
27	CLIP, AIR IN. DUCT PUSH.....	A6 B6	-----	-----	1	90601-PV3-003	6684484
28	CLIP, SNAP FITTING.....	A6 B6	-----	-----	3	90666-S84-A01	5454822
29	BOLT-WASHER (6X16).....	A6 B6	-----	-----	1	93404-06016-00	2801876
30	SCREW-WASHER (5X12).....	A6 B6	-----	-----	1	93894-05012-00	1715770
31	SCREW-WASHER (6X14).....	A6 B6	-----	-----	2	93894-06014-07	6009070
32	SCREW, TAPPING (4X12).....	A6 B6	-----	-----	17	93903-34310	0563999
33	SCREW, TAPPING (4X12).....	A6 B6	-----	-----	2	93903-34380	0737999
34	SCREW, TAPPING (4X16).....	A6 B6	-----	-----	4	93903-34480	1478965
35	SCREW, TAPPING (5X16).....	A6 B6	-----	-----	2	93913-15410	4860615

CENTER COVER



MCTAF 1100

MCTAF1100

A6=FSC600A'06
B6=FSC600D'06

F-11

Frame
Serial Number

Ref	Description	Model	From	To	QTY	Part Number	H/C
1	STAY, L. SKIRT	A6 B6	-----	-----	1	50365-MCT-000	6960660
2	SKIRT, R. FLOOR *NH295M* (SPARKLING SILVER METALLIC).....	A6 B6	-----	-----	1	50611-MCT-681ZH	7950421
3	COVER (LOWER)	A6 B6	-----	-----	1	50621-MCT-020	7057060
4	SKIRT, L. FLOOR *NH295M* (SPARKLING SILVER METALLIC).....	A6 B6	-----	-----	1	50661-MCT-000ZH	7928849
5	STEP, FLOOR	A6 B6	-----	-----	1	64320-MCT-000	6961262
6	SPRING, FUEL LID	A6 B6	-----	-----	1	64321-MCT-000	6961270
7	PLATE, FUEL LID SET.....	A6 B6	-----	-----	1	64322-MCT-000	6961288
8	FLOOR MAT, R.	A6 B6	-----	-----	1	64325-MCT-000	6961304
9	FLOOR MAT, L.	A6 B6	-----	-----	1	64326-MCT-000	6961312
10	OPENER, FUEL LID.....	A6 B6	-----	-----	1	64340-MCT-003	6961338
11	LID, FUEL.....	A6 B6	-----	-----	1	64451-MCT-010	7396963
12	DAMPER, LID.....	A6 B6	-----	-----	1	64462-MCT-000	6961437
13	LID, PLUG MAINTENANCE	A6 B6	-----	-----	1	64465-MCT-010	7057193
14	SCREW, PAN (5X20).....	A6 B6	-----	-----	2	90103-MBG-000	5742598
15	NUT, SPRING (4MM).....	A6 B6	-----	-----	6	90302-SA4-003	1169861
16	NUT, CLIP (5MM).....	A6 B6	-----	-----	6	90677-KAN-961	5750450

CENTER COVER

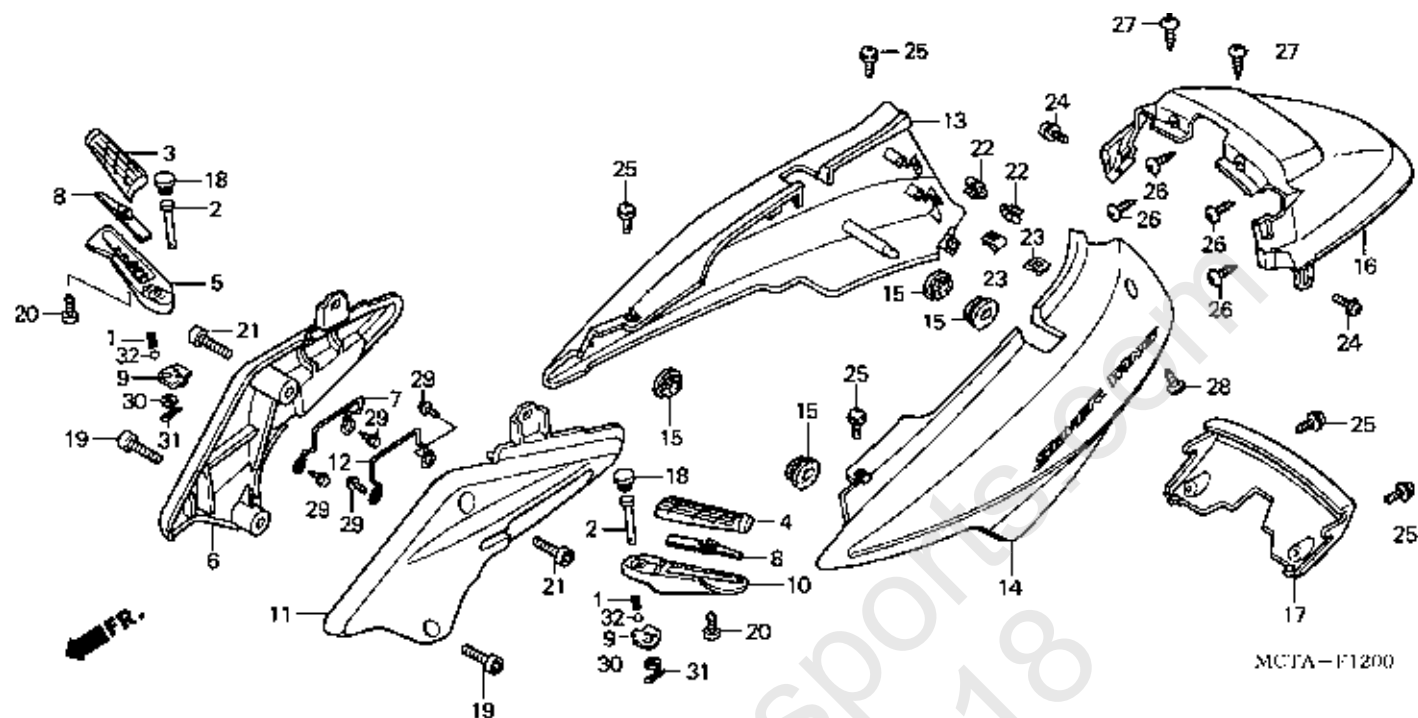
A6=FSC600A'06
B6=FSC600D'06

F-11

Frame
Serial Number

Ref	Description	Model	From	To	QTY	Part Number	H/C
17	BOLT-WASHER (6X12)	A6 B6	-----	-----	2	93404-06012-00	2871085
18	BOLT-WASHER (6X20)	A6 B6	-----	-----	6	93404-06020-00	2576361
19	SCREW-WASHER (5X16)	A6 B6	-----	-----	6	93891-05016-00	0751636
20	SCREW, TAPPING (4X10).....	A6 B6	-----	-----	2	93901-34280	0870592
21	SCREW, TAPPING (4X10).....	A6 B6	-----	-----	5	93903-34210	0265009
22	SCREW, TAPPING (4X16).....	A6 B6	-----	-----	5	93903-34480	1478965
23	BOLT, FLANGE (6X12)	A6 B6	-----	-----	1	96001-06012-00	2105930

BODY COVER



MCTA-F1200

MCTAF1200

A6=FSC600A'06
B6=FSC600D'06

F-12

Frame
Serial Number

Ref	Description	Model	From	To	QTY	Part Number	H/C
1	SPRING, KICK STARTER STOPPER	A6 B6	-----	-----	2	28333-300-000	0193763
2	PIN, STEP BAR JOINT.....	A6 B6	-----	-----	2	50603-MCT-000	6960728
3	RUBBER, R. PILLION STEP	A6 B6	-----	-----	1	50617-MCT-000	6960769
4	RUBBER, L. PILLION STEP.....	A6 B6	-----	-----	1	50618-MCT-000	6960777
5	ARM, R. PILLION STEP *NH471M* (MAT EXTREME SILVER METALLIC).....	A6 B6	-----	-----	1	50652-MCT-000ZB	6960801
6	HOLDER, R. PILLION STEP *NH471M* (MAT EXTREME SILVER METALLIC)....	A6 B6	-----	-----	1	50663-MCT-770ZC	7928856
7	GUIDE, R. FLOOR.....	A6 B6	-----	-----	1	50664-MCT-000	6960843
8	PLATE, FOOT	A6 B6	-----	-----	2	50723-MCT-000	6960850
9	PLATE, PILLION STEP CLICK.....	A6 B6	-----	-----	2	50724-MCT-000	6960868
10	ARM, L. PILLION STEP *NH471M* (MAT EXTREME SILVER METALLIC).....	A6 B6	-----	-----	1	50752-MCT-000ZB	6960876
11	HOLDER, L. PILLION STEP *NH471M* (MAT EXTREME SILVER METALLIC)....	A6 B6	-----	-----	1	50763-MCT-000ZA	6960884
12	GUIDE, L. FLOOR	A6 B6	-----	-----	1	50764-MCT-000	6960892
13	COVER SET, R. BODY *PB358M* (WL) (DELTA BLUE METALLIC).....	A6 B6	-----	-----	1	83400-MCT-691ZS	8201816
14	COVER SET, L. BODY *PB358M* (WL) (DELTA BLUE METALLIC).....	A6 B6	-----	-----	1	83500-MCT-691ZS	8201857

BODY COVER

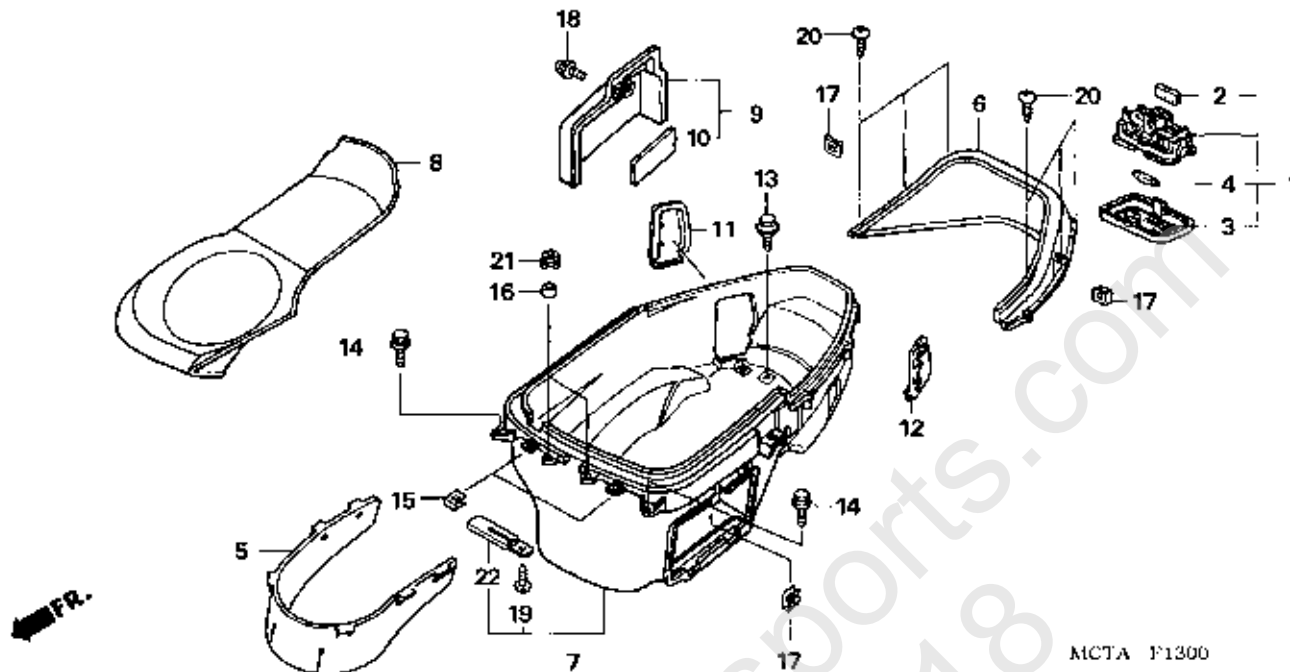
A6=FSC600A'06
B6=FSC600D'06

F-12

Frame
Serial Number

Ref	Description	Model	From	To	QTY	Part Number	H/C
15	GROMMET, AIR CLEANER HOUSING	A6 B6	-----	-----	4	83551-GE2-000	1406164
16	COVER SET, RR. BODY (TYPE1) (WL)	A6 B6	-----	-----	1	83600-MCT-L20ZA	8201899
17	COVER, RR. (LOWER) *PB358M* (DELTA BLUE METALLIC)	A6 B6	-----	-----	1	83611-MCT-000ZW	8201915
18	RUBBER, NUMBER PLATE BRACKET CUSHION	A6 B6	-----	-----	2	84702-MF2-670	1766773
19	BOLT, SOCKET (10X45)	A6 B6	-----	-----	2	90104-MCT-000	6962138
20	BOLT, TORX (5X14).....	A6 B6	-----	-----	2	90131-MY3-781	4048369
21	BOLT, SOCKET (10X45)	A6 B6	-----	-----	2	90181-MCT-000	6962229
22	CLIP, SNAP FITTING.....	A6 B6	-----	-----	4	90666-S84-A01	5454822
23	NUT, CLIP (5MM).....	A6 B6	-----	-----	2	90677-KAN-961	5750450
24	SCREW-WASHER (5X12)	A6 B6	-----	-----	2	93891-05012-08	0485938
25	SCREW-WASHER (5X16)	A6 B6	-----	-----	6	93891-05016-07	0487017
26	SCREW, TAPPING (4X12).....	A6 B6	-----	-----	4	93903-24310	0572404
27	SCREW, TAPPING (4X12).....	A6 B6	-----	-----	2	93903-34380	0737999
28	SCREW, TAPPING (4X16).....	A6 B6	-----	-----	1	93903-34480	1478965
29	SCREW, TAPPING (5X16).....	A6 B6	-----	-----	4	93904-35380	1172204
30	WASHER, PLAIN (8MM)	A6 B6	-----	-----	2	94102-08800	0562215
31	PIN, COTTER (2.0X12)	A6 B6	-----	-----	2	94201-20120	0109579
32	BALL, STEEL (#8) (1/4)	A6 B6	-----	-----	2	96211-08000	0079905

LUGGAGE BOX



MCTAF1300

A6=FSC600A'06
B6=FSC600D'06

F-13

Frame
Serial Number

Ref	Description	Model	From	To	QTY	Part Number	H/C
1	LIGHT ASSY., LUGGAGE BOX.....	A6 B6	-----	-----	1	34260-MCT-690	6959852
2	RUBBER, SEAL	A6 B6	-----	-----	1	34261-MCT-690	6959860
3	LENS	A6 B6	-----	-----	1	34262-SM4-003	4096897
4	BULB (12V3.4W) (DAIICHI)	A6 B6	-----	-----	1	34295-SA5-003	1784719
5	SPLASH GUARD	A6 B6	-----	-----	1	80104-MCT-000	6961791
6	BOX, LUGGAGE (UPPER).....	A6 B6	-----	-----	1	81251-MCT-030	7397078
7	BOX, LUGGAGE (LOWER)	A6 B6	-----	-----	1	81261-MEF-000	7055148
8	MAT, LUGGAGE BOX	A6 B6	-----	-----	1	81271-MCT-000	6961833
9	COVER ASSY., BATTERY.....	A6 B6	-----	-----	1	81290-MCT-000	6961841
10	CUSHION, BATTERY COVER.....	A6 B6	-----	-----	1	81292-MCT-000	6961858
11	LID, R. BULB MAINTENANCE.....	A6 B6	-----	-----	1	81296-MCT-770	7933799
12	LID, L. BULB MAINTENANCE	A6 B6	-----	-----	1	81297-MCT-000	6961874
13	BOLT, FLANGE (6MM).....	A6 B6	-----	-----	1	90111-162-000	0811141
14	BOLT, FLANGE (8X18)	A6 B6	-----	-----	2	90186-GBC-000	6962237
15	NUT, CLIP (6MM).....	A6 B6	-----	-----	2	90305-GEE-710	6684476
16	COLLAR, BODY COVER	A6 B6	-----	-----	2	90312-GF0-000	1937770
17	NUT, CLIP (5MM).....	A6 B6	-----	-----	3	90677-KAN-961	5750450
18	SCREW-WASHER (5X14)	A6 B6	-----	-----	1	93894-05014-07	3739125

LUGGAGE BOX

A6=FSC600A'06
B6=FSC600D'06

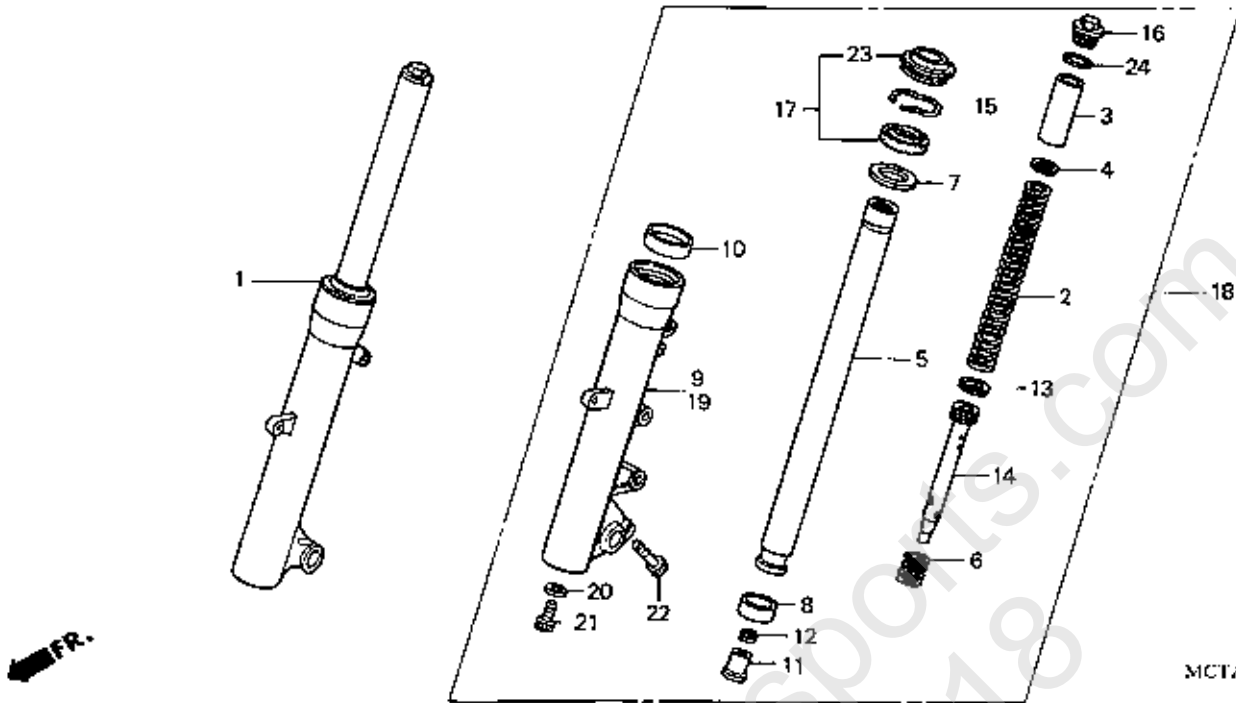
F-13

Frame
Serial Number

Ref	Description	Model	From	To	QTY	Part Number	H/C
19	SCREW, TAPPING (4X12).....	A6 B6	-----	-----	2	93903-34380	0737999
20	SCREW, TAPPING (4X16).....	A6 B6	-----	-----	6	93903-34480	1478965
21	NUT, FLANGE (6MM).....	A6 B6	-----	-----	2	94050-06000	0471623
22	CLIP (2X50)	A6 B6	-----	-----	2	94591-25000	0649822

World of Powersports.com
800-407-7218

FRONT FORK



MCTAF1400

A6=FSC600A'06
B6=FSC600D'06

F-14

Frame
Serial Number

Ref	Description	Model	From	To	QTY	Part Number	H/C
1	FORK ASSY., R. FR. *NH295M* (SPARKLING SILVER METALLIC)	A6	-----	-----	1	51400-MCT-911ZA	7928971
	FORK ASSY., R. FR.	B6	-----	-----	1	51400-MCT-003	7928963
2	SPRING, FR. FORK	A6 B6	-----	-----	2	51401-MCT-003	6960918
3	SPACER, SPRING	A6 B6	-----	-----	2	51402-MCT-003	6960926
4	WASHER	A6 B6	-----	-----	2	51404-MBA-003	5391149
5	PIPE, FR. FORK	A6 B6	-----	-----	2	51410-MCT-003	6960934
6	SPRING, FR. REBOUND	A6 B6	-----	-----	2	51411-MBA-003	5391164
7	WASHER	A6 B6	-----	-----	2	51412-KA4-004	1027192
8	BUSH, SLIDER	A6 B6	-----	-----	2	51415-MCT-003	6960942
9	CASE, R. (LOWER)	A6	-----	-----	1	51421-MCT-911ZB	7458722
	CASE, R. (LOWER)	B6	-----	-----	1	51421-MCT-003	7929037
10	BUSH, GUIDE	A6 B6	-----	-----	2	51424-MCT-003	6960967
11	PIECE, OIL LOCK	A6 B6	-----	-----	2	51431-MCT-003	7057086
12	SPRING, OIL LOCK	A6 B6	-----	-----	2	51433-MCT-003	7057094
13	RING, PISTON	A6 B6	-----	-----	2	51437-MCT-003	7057102
14	PIPE, SEAT	A6 B6	-----	-----	2	51440-MCT-003	6960991
15	RING, SNAP	A6 B6	-----	-----	2	51447-KA4-004	1027275

FRONT FORK

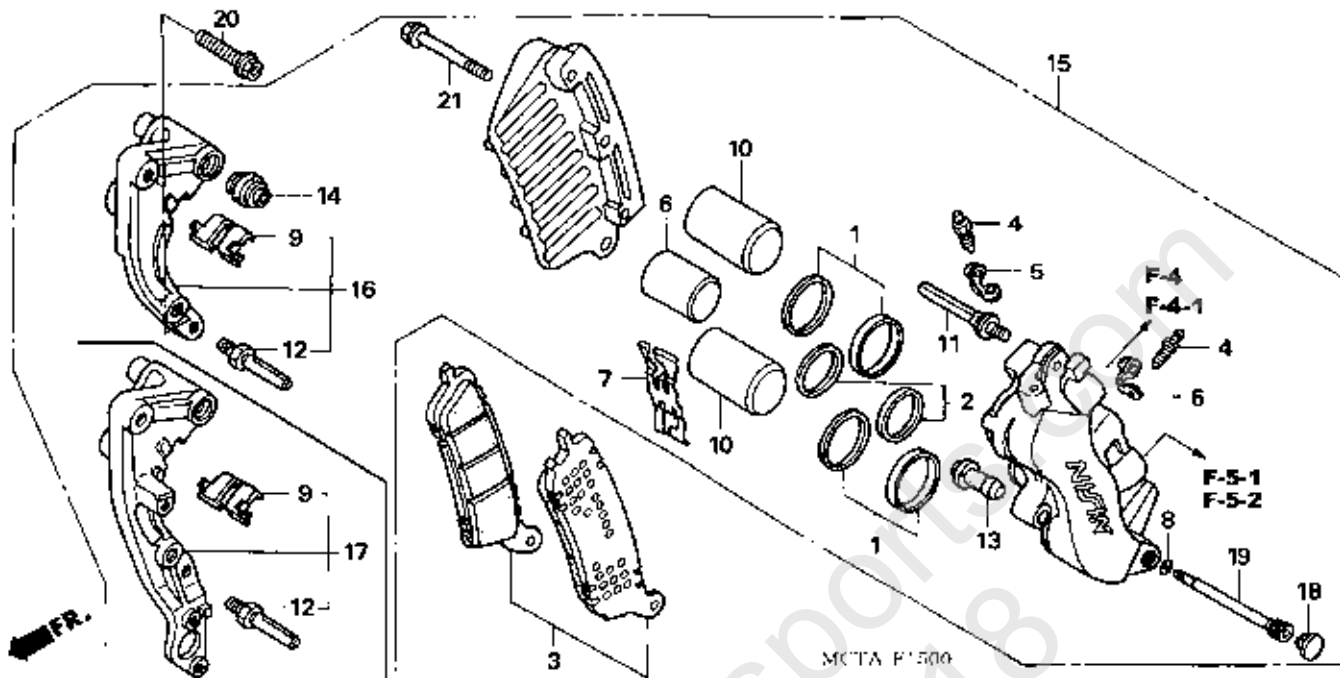
A6=FSC600A'06
B6=FSC600D'06

F-14

Frame
Serial Number

Ref	Description	Model	From	To	QTY	Part Number	H/C
16	BOLT, FR. FORK	A6 B6	-----	-----	2	51450-MCT-003	6961007
17	SEAL SET, FR. FORK	A6 B6	-----	-----	2	51490-MCT-003	7054901
18	FORK ASSY., L. FR. *NH295M* (SPARKLING SILVER METALLIC)	A6	-----	-----	1	51500-MCT-911ZA	7929052
	FORK ASSY., L. FR.	B6	-----	-----	1	51500-MCT-003	7929045
19	CASE, L. (LOWER)	A6	-----	-----	1	51521-MCT-911ZB	7458730
	CASE, L. (LOWER)	B6	-----	-----	1	51521-MCT-003	7929060
20	WASHER, OIL BOLT (KAYABA)	A6 B6	-----	-----	2	52442-KA3-731	1595149
21	BOLT, SOCKET (10X25)	A6 B6	-----	-----	2	90116-KK0-004	1595156
22	BOLT, SOCKET (8X25)	A6 B6	-----	-----	2	90120-MBB-000	5365358
23	DUST SEAL	A6 B6	-----	-----	2	91254-MCK-A01	6358204
24	O-RING (31.7X3.5).....	A6 B6	-----	-----	2	91356-KT1-671	2306330

FRONT BRAKE CALIPER



MCTAF1500

A6=FSC600A'06
B6=FSC600D'06

F-15

Frame
Serial Number

Ref	Description	Model	From	To	QTY	Part Number	H/C
1	SEAL SET, PISTON	A6 B6	-----	-----	2	06431-MA3-405	4124277
2	SEAL SET, PISTON	A6 B6	-----	-----	1	06451-MZ2-405	4179362
3	PAD SET	A6	-----	-----	1	06455-MCT-006	7396062
	PAD SET	B6	-----	-----	1	06455-MCT-691	6874572
4	SCREW, BLEEDER	A6 B6	-----	-----	2	43352-568-003	0505735
5	CAP, BLEEDER	A6 B6	-----	-----	2	43353-461-771	0954230
6	PISTON (22 A)	A6 B6	-----	-----	1	45107-MCT-006	6826333
7	SPRING, PAD.....	A6 B6	-----	-----	1	45108-MCT-006	6960413
8	O-RING (2.5X1.5).....	A6 B6	-----	-----	1	45111-MAJ-G41	4979928
9	RETAINER, BRACKET.....	A6	-----	-----	1	45112-MCT-911	7396625
	RETAINER, BRACKET.....	B6	-----	-----	1	45112-MZ2-006	4181145
10	PISTON (27 A)	A6 B6	-----	-----	2	45117-MCT-006	6960439
11	BOLT A, PIN (NISSIN)	A6 B6	-----	-----	1	45131-ML7-921	2918712
12	PIN, BOLT	A6 B6	-----	-----	1	45131-166-016	1046267
13	BUSH, PIN	A6 B6	-----	-----	1	45132-166-016	1046275
14	BOOT B	A6 B6	-----	-----	1	45133-MA3-006	1012012
15	CALIPER SUB-ASSY., L. FR.	A6	-----	-----	1	45150-MCT-911	7396708
	CALIPER SUB-ASSY., L. FR.	B6	-----	-----	1	45150-MCT-016	6960454

FRONT BRAKE CALIPER

A6=FSC600A'06
B6=FSC600D'06

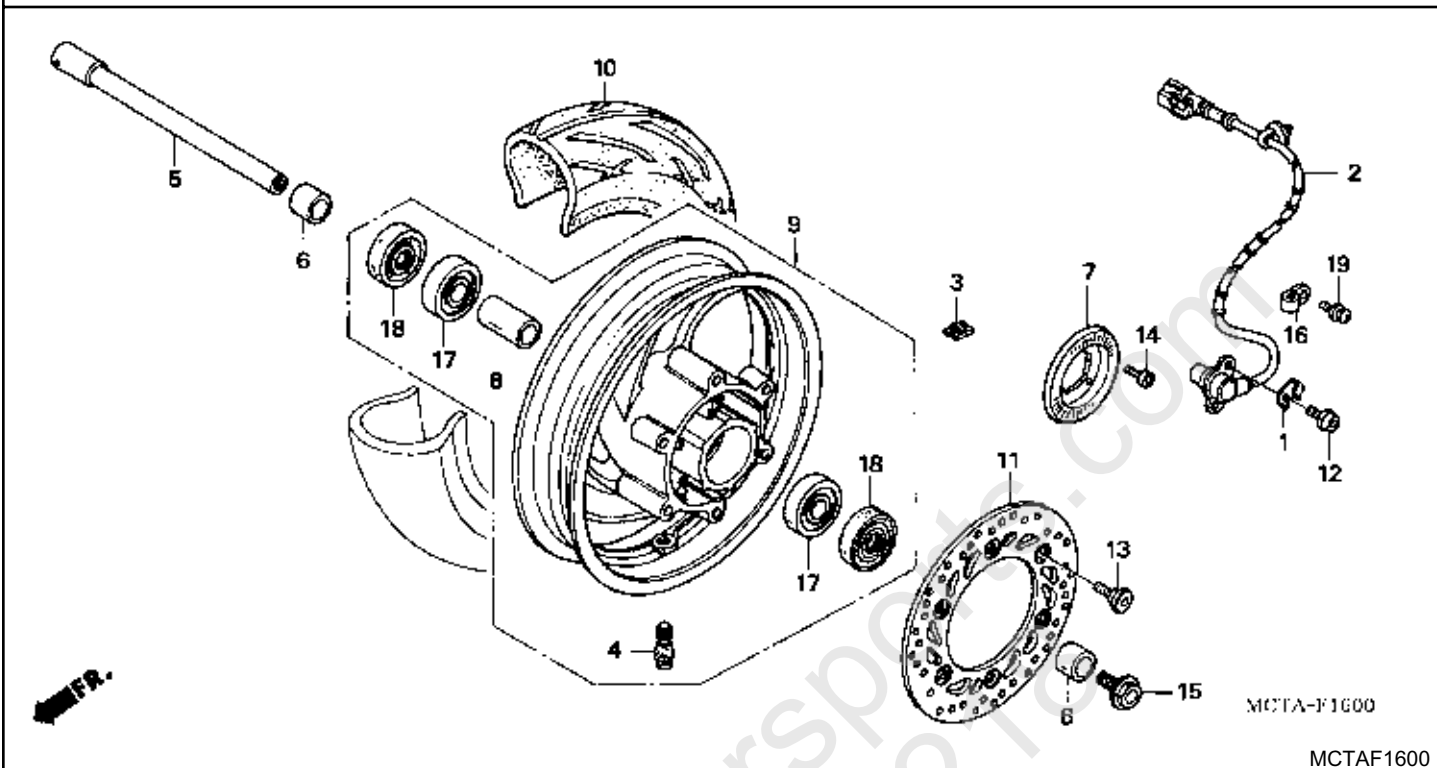
F-15

Frame
Serial Number

Ref	Description	Model	From	To	QTY	Part Number	H/C
16	BRACKET SUB-ASSY., L. FR. CALIPER ..	B6	-----	-----	1	45190-KFG-641	6682652
17	BRACKET SUB-ASSY., L. FR. CALIPER ..	A6	-----	-----	1	45190-MCT-911	7396716
18	PLUG, PIN	A6 B6	-----	-----	1	45203-MCC-006	6334387
19	PIN, HANGER	A6 B6	-----	-----	1	45215-MAJ-G41	4980074
20	BOLT, FLANGE (8X32)	A6 B6	-----	-----	2	90131-KBV-003	4104519
21	BOLT, FLANGE (8X45)	A6 B6	-----	-----	3	90135-MAJ-G41	4980744

World of Powersports.com
800-407-7218

FRONT WHEEL



A6=FSC600A'06
B6=FSC600D'06

F-16

Frame
Serial Number

Ref	Description	Model	From	To	QTY	Part Number	H/C
1	GUIDE, SENSOR WIRE.....	A6	-----	-----	1	38515-MCT-910	7396443
2	SENSOR, FR. WHEEL SPEED	A6	-----	-----	1	38520-MCT-911	7396450
3	WEIGHT, BALANCE (10)	A6 B6	-----	-----	AR	42704-MCF-D60	7841562
	WEIGHT, BALANCE (20)	A6 B6	-----	-----	AR	42705-MCF-D60	7841570
	WEIGHT, BALANCE (30)	A6 B6	-----	-----	AR	42706-MCF-D60	7841588
4	VALVE, RIM (IRC)	A6 B6	-----	-----	1	42753-GM9-743	6960116
	VALVE, RIM (BS)	A6 B6	-----	-----	1	42753-ML7-003	2378446
5	AXLE, FR. WHEEL.....	A6 B6	-----	-----	1	44301-MCT-000	6960363
6	COLLAR, FR. WHEEL SIDE	A6 B6	-----	-----	2	44311-MCT-000	6960389
7	PULSER RING, FR.	A6	-----	-----	1	44515-MCT-910	7396609
8	COLLAR, FR. AXLE DISTANCE	A6 B6	-----	-----	1	44620-MZ2-A21	6960397
9	WHEEL SUB-ASSY., FR. *NH295M* (SPARKLING SILVER METALLIC)	A6	-----	-----	1	44650-MCT-910ZA	7928393
	WHEEL SUB-ASSY., FR. *NH295M* (SPARKLING SILVER METALLIC)	B6	-----	-----	1	44650-MCT-030ZA	7928385
10	TIRE, FR. (120/80-14 M/C 58S) (BS).....	A6 B6	-----	-----	1	44711-MCT-013	7064785
	TIRE, FR. (120/80-14 M/C 58S) (IRC)	A6 B6	-----	-----	1	44711-MCT-015	7064793
11	DISK, FR. BRAKE	A6	-----	-----	1	45351-MCT-911	7396724

FRONT WHEEL

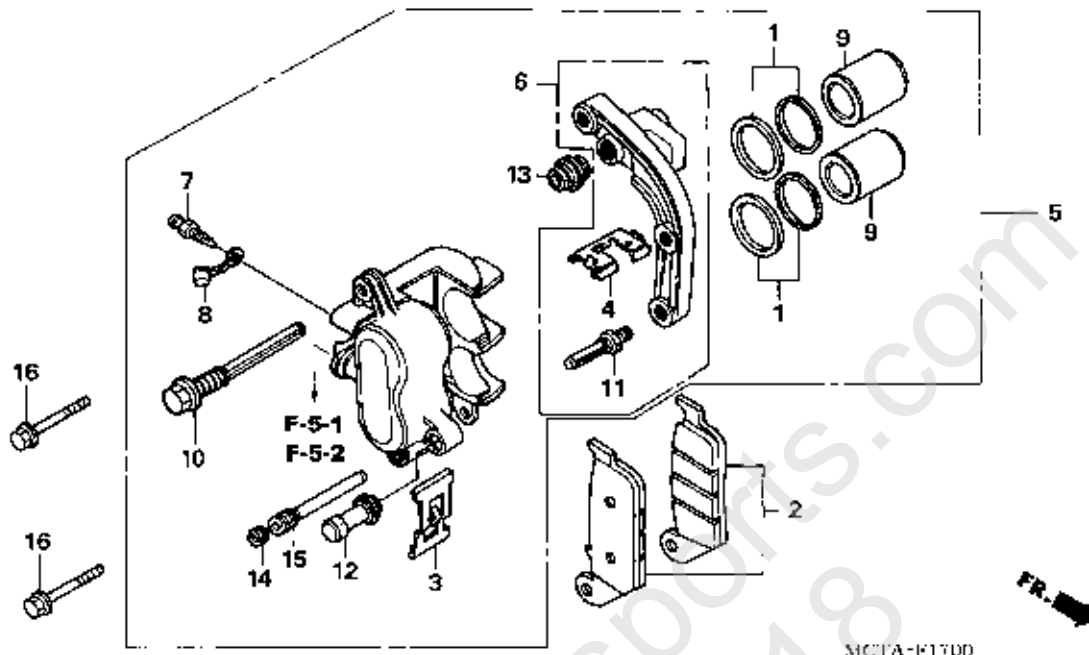
A6=FSC600A'06
B6=FSC600D'06

F-16

Frame
Serial Number

Ref	Description	Model	From	To	QTY	Part Number	H/C
11	DISK, FR. BRAKE	B6	-----	-----	1	45351-MCT-003	6960462
12	BOLT, FLANGE (6X14)	A6	-----	-----	2	90091-KV3-700	3487717
13	BOLT, BRAKE DISK (8X24).....	A6 B6	-----	-----	6	90105-MBB-000	5347398
	BOLT, DISK (8X24)	A6 B6	-----	-----	6	90105-MV9-003	3699014
14	BOLT, TORX (5X10).....	A6	-----	-----	3	90131-KPB-751	6621841
15	BOLT, FR. AXLE	A6 B6	-----	-----	1	90305-ML7-000	2408540
16	CLIP (7.5MM)	A6	-----	-----	1	90627-ZA8-E50	2322139
17	BEARING, RADIAL BALL (6004UU)	A6 B6	-----	-----	2	91054-MAM-003	5519962
	BEARING, RADIAL BALL (6004)	A6 B6	-----	-----	2	91054-MN8-741	3087467
18	DUST SEAL (28X42X8) (NOK)	A6 B6	-----	-----	2	91257-MAY-003	5216452
19	SCREW-WASHER (5X10)	A6	-----	-----	1	93891-05010-00	0963637

REAR BRAKE CALIPER



MCTAF1700

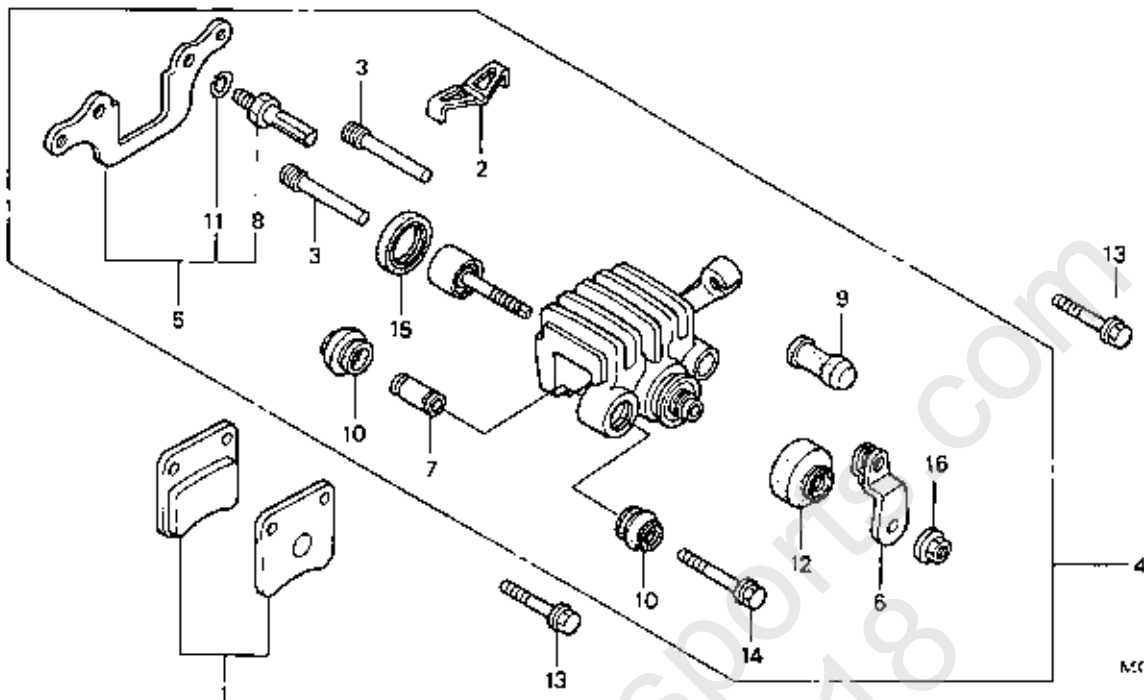
A6=FSC600A'06
B6=FSC600D'06

F-17

Frame
Serial Number

Ref	Description	Model	From	To	QTY	Part Number	H/C
1	SEAL SET, PISTON	A6 B6	-----	-----	2	06431-MA3-405	4124277
2	PAD SET, RR.	A6 B6	-----	-----	1	06435-MCT-415	7396054
3	SPRING, PAD.....	A6 B6	-----	-----	1	43108-MCT-006	6960124
4	RETAINER	A6 B6	-----	-----	1	43112-MCT-911	7396492
5	CALIPER SUB-ASSY., RR.	A6 B6	-----	-----	1	43150-MCT-911	7396500
6	BRACKET SUB-ASSY., RR. CALIPER	A6 B6	-----	-----	1	43190-MCT-911	7396518
7	SCREW, BLEEDER	A6 B6	-----	-----	1	43352-568-003	0505735
8	CAP, BLEEDER	A6 B6	-----	-----	1	43353-461-771	0954230
9	PISTON (NISSIN).....	A6 B6	-----	-----	2	45107-ML4-006	2465383
10	PIN, BOLT	A6 B6	-----	-----	1	45131-MA3-006	1012004
11	PIN, BOLT	A6 B6	-----	-----	1	45131-166-016	1046267
12	BUSH, PIN	A6 B6	-----	-----	1	45132-166-016	1046275
13	BOOT B	A6 B6	-----	-----	1	45133-MA3-006	1012012
14	PLUG, PIN	A6 B6	-----	-----	1	45203-MG3-016	3189743
15	PIN, HANGER (NISSIN).....	A6 B6	-----	-----	1	45215-ML7-922	3189750
16	BOLT, FLANGE (8X50)	A6 B6	-----	-----	2	90132-MY2-000	4083036

PARKING BRAKE CALIPER



MCTAF1701

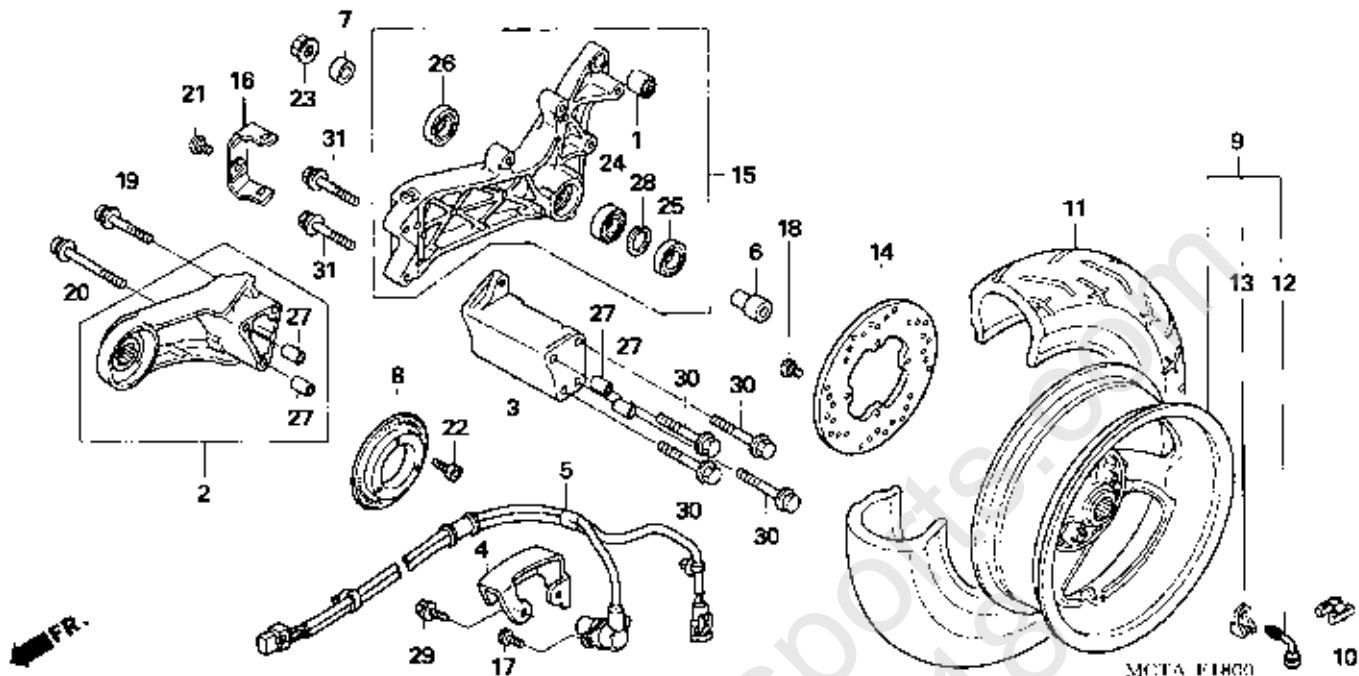
A6=FSC600A'06
B6=FSC600D'06

F-17-1

Frame
Serial Number

Ref	Description	Model	From	To	QTY	Part Number	H/C
1	PAD SET, PARKING BRAKE.....	A6 B6	-----	-----	1	06436-MCT-006	6957880
2	SPRING, PAD.....	A6 B6	-----	-----	1	43208-MCT-006	6960181
3	PIN, HANGER	A6 B6	-----	-----	2	43215-MCT-006	6960199
4	CALIPER SUB-ASSY., PARKING BRAKE..	A6 B6	-----	-----	1	43250-MCT-006	6960207
5	BRACKET SUB-ASSY., PARKING BRAKE	A6 B6	-----	-----	1	43290-MCT-006	6960223
6	ARM	A6 B6	-----	-----	1	43362-KPB-006	6682439
7	SLEEVE	A6 B6	-----	-----	1	45111-MCT-006	6960421
8	BOLT, PIN	A6 B6	-----	-----	1	45131-GZ0-006	4843827
9	BUSH, PIN	A6 B6	-----	-----	1	45132-166-016	1046275
10	BOOT, PIN	A6 B6	-----	-----	2	45133-166-016	1012020
11	WASHER, WAVE (NISSIN)	A6 B6	-----	-----	1	45216-166-006	1054873
12	BOOT SEAL, MASTER CYLINDER.....	A6 B6	-----	-----	1	46184-611-000	0605469
13	BOLT, FLANGE (8X35)	A6 B6	-----	-----	2	90135-MZ2-000	4182416
14	BOLT, FLANGE (8X42)	A6 B6	-----	-----	1	90180-MCT-006	6962211
15	DUST SEAL (20X25X4) (NOK)	A6 B6	-----	-----	1	91208-PF5-005	6962427
16	NUT-WASHER (8MM)	A6 B6	-----	-----	1	94071-08080	0612713

REAR WHEEL



MCTAF1800

A6=FSC600A'06
B6=FSC600D'06

F-18

Frame
Serial Number

Ref	Description	Model	From	To	QTY	Part Number	H/C
1	BUSH, SHOCK ABSORBER	A6 B6	-----	-----	1	11203-KAB-000	3174166
2	SWINGARM, R.	A6 B6	-----	-----	1	11320-MEF-000	7054562
3	CENTER, SWINGARM.....	A6 B6	-----	-----	1	11322-MCT-000	6957948
4	PROTECTOR, SPEED SENSOR.....	A6	-----	-----	1	32112-MCT-910	7396377
5	SENSOR, RR. WHEEL SPEED	A6	-----	-----	1	38510-MCT-911	7396435
6	COLLAR, RR. WHEEL SIDE	A6 B6	-----	-----	1	42311-MCT-910	7396468
7	COLLAR, RR. AXLE.....	A6 B6	-----	-----	1	42312-MCT-000	6960090
8	RING, PULSER (RR)	A6	-----	-----	1	42515-MCT-910	7396476
9	WHEEL SUB-ASSY., RR. *NH295M* (SPARKLING SILVER METALLIC)	A6	-----	-----	1	42650-MCT-910ZA	7928237
	WHEEL SUB-ASSY., RR. *NH295M* (SPARKLING SILVER METALLIC)	B6	-----	-----	1	42650-MCT-010ZA	7649338
10	WEIGHT, BALANCE (10)	A6 B6	-----	-----	AR	42704-MCF-D60	7841562
	WEIGHT, BALANCE (20)	A6 B6	-----	-----	AR	42705-MCF-D60	7841570
	WEIGHT, BALANCE (30)	A6 B6	-----	-----	AR	42706-MCF-D60	7841588
11	TIRE, RR. (150/70-13 M/C 64S) (BS).....	A6 B6	-----	-----	1	42711-MCT-023	7067911
	TIRE, RR. (150/70-13 M/C 64S) (IRC).....	A6 B6	-----	-----	1	42711-MCT-025	7121502
12	VALVE, RIM (BS)	A6 B6	-----	-----	1	42753-KJ9-003	1700905

REAR WHEEL

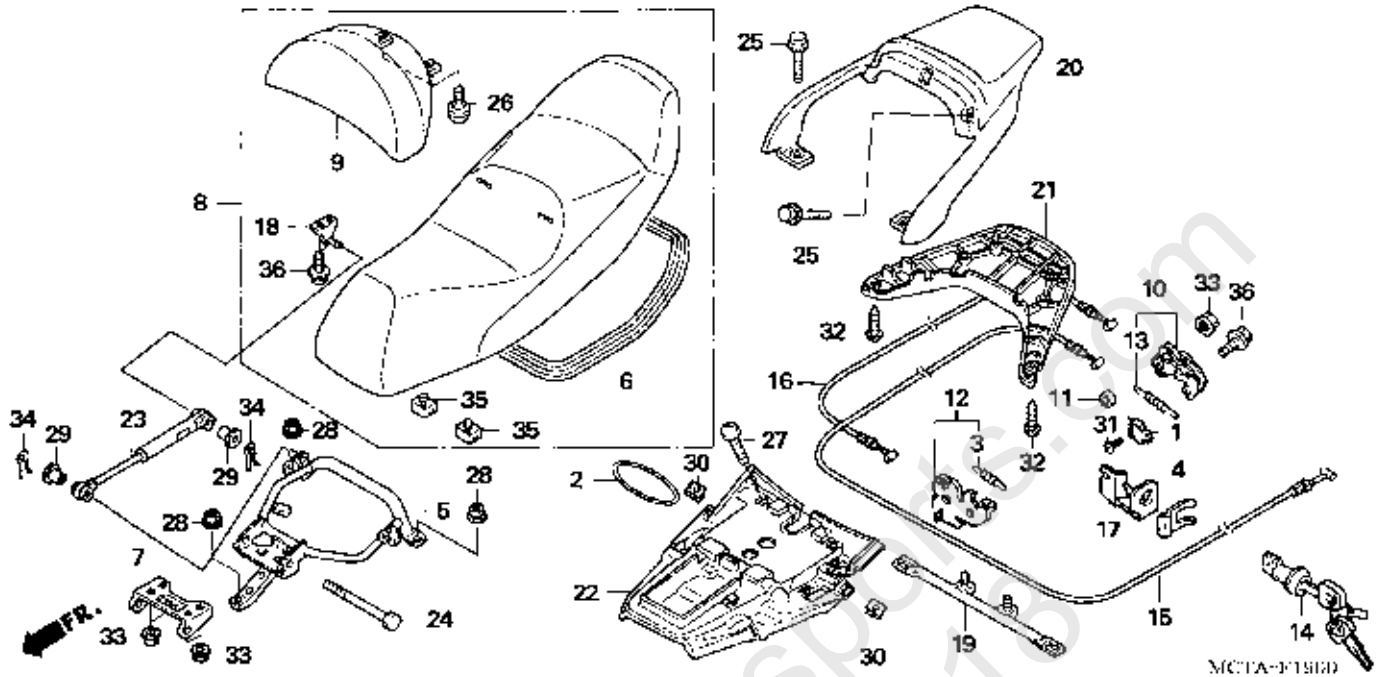
A6=FSC600A'06
B6=FSC600D'06

F-18

Frame
Serial Number

Ref	Description	Model	From	To	QTY	Part Number	H/C
12	VALVE, RIM (INOUE).....	A6 B6	-----	-----	1	42753-KJ9-005	1700921
13	HOLD, RIM VALVE.....	A6 B6	-----	-----	1	42754-MN5-000	2807253
14	DISK, RR. BRAKE	A6 B6	-----	-----	1	43251-MCT-911	7396526
15	HOLDER ASSY., FINAL SHAFT	A6 B6	-----	-----	1	52000-MCT-910	7396823
16	COVER, HOLDER	A6 B6	-----	-----	1	52182-MEF-000	6961049
17	BOLT, FLANGE (6X14)	A6	-----	-----	2	90091-KV3-700	3487717
18	BOLT, BRAKE DISK (8X24).....	A6 B6	-----	-----	4	90105-MBB-000	5347398
	BOLT, DISK (8X24)	A6 B6	-----	-----	4	90105-MV9-003	3699014
19	BOLT, TORX (10X60).....	A6 B6	-----	-----	1	90108-MCT-000	6962179
20	BOLT, TORX (10X110).....	A6 B6	-----	-----	2	90109-MCT-940	7397193
21	SCREW, PAN (5X13).....	A6 B6	-----	-----	1	90112-MBS-000	6621668
22	BOLT, TORX (5X10).....	A6	-----	-----	3	90131-KPB-751	6621841
23	NUT, FLANGE (18MM).....	A6 B6	-----	-----	1	90305-MB4-003	1384957
24	BEARING, RADIAL BALL (22X47X14).....	A6 B6	-----	-----	1	91002-MCT-003	6962336
25	OIL SEAL (32X48X8) (ARAI)	A6 B6	-----	-----	1	91202-HE0-003	3061850
26	DUST SEAL (32X42X6)	A6 B6	-----	-----	1	91253-MCF-003	6398028
27	PIN, KNOCK (12X16)	A6 B6	-----	-----	4	94301-12160	0165316
28	CIRCLIP (INNER) (47MM)	A6 B6	-----	-----	1	94520-47000	0053587
29	BOLT, FLANGE (6X16)	A6	-----	-----	2	95701-06016-00	2410892
30	BOLT, FLANGE (10X70)	A6 B6	-----	-----	4	95701-10070-00	2735546
31	BOLT, FLANGE (10X55)	A6 B6	-----	-----	2	95801-10055-00	4259982

SEAT



MCTA-F1900

MCTAF1900

A6=FSC600A'06
B6=FSC600D'06

F-19

Frame
Serial Number

Ref	Description	Model	From	To	QTY	Part Number	H/C
1	SWITCH ASSY., CLUTCH	A6 B6	-----	-----	1	35330-MB0-003	1246859
2	BAND, U-LOCK	A6 B6	-----	-----	1	50290-MBL-610	6960579
3	SPRING	A6 B6	-----	-----	1	50513-GBL-000	6499305
4	SPRING, LOCK KEY SETTING	A6 B6	-----	-----	1	75581-GN8-920	2908895
5	STAY, SEAT HINGE.....	A6 B6	-----	-----	1	77110-MCT-010	6961601
6	RUBBER, SEAL	A6 B6	-----	-----	1	77114-MCT-000	6961619
7	HINGE, SEAT	A6 B6	-----	-----	1	77115-MCT-000	6961627
8	SEAT, DOUBLE	A6 B6	-----	-----	1	77200-MCT-640	7397052
9	BACKREST ASSY.....	A6 B6	-----	-----	1	77210-MCT-640	7397060
10	CATCH, RR. SEAT.....	A6 B6	-----	-----	1	77220-MEF-000	7055106
11	BAND, RUBBER.....	A6 B6	-----	-----	1	77227-KPB-000	6683783
12	CATCH, SEAT	A6 B6	-----	-----	1	77230-MCT-000	6961668
13	SPRING, SEAT CATCH.....	A6 B6	-----	-----	1	77236-GBL-000	6194351
14	KEY, SEAT LOCK	A6 B6	-----	-----	1	77239-MCT-007	6961676
15	CABLE A, SEAT OPEN	A6 B6	-----	-----	1	77240-MCT-010	6961684
16	CABLE B, SEAT OPEN	A6 B6	-----	-----	1	77241-MCT-010	6961692
17	STAY, SEAT LOCK CABLE	A6 B6	-----	-----	1	77242-MCT-000	6961700
18	STAY, DAMPER.....	A6 B6	-----	-----	1	77244-MCT-000	6961718

SEAT

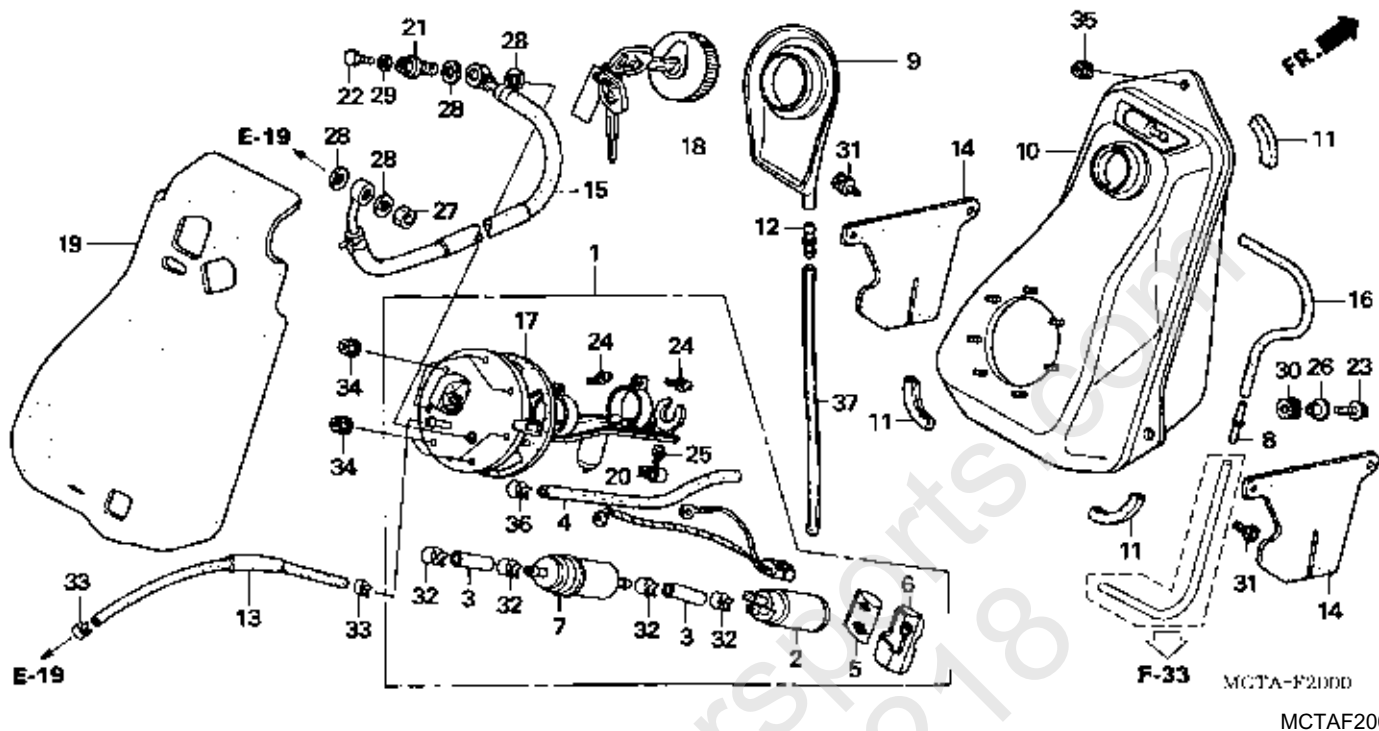
A6=FSC600A'06
B6=FSC600D'06

F-19

Frame
Serial Number

Ref	Description	Model	From	To	QTY	Part Number	H/C
19	STAY, SEAT CATCH	A6 B6	-----	-----	1	77250-MCT-010	6961726
20	SPOILER, RR. *NH471M* (MAT EXTREME SILVER METALLIC).....	A6 B6	-----	-----	1	77310-MCT-000ZA	6961734
21	COVER, RR. SPOILER *NH169R* (STAGE GRAY)	A6 B6	-----	-----	1	77315-MCT-000ZA	6961742
22	COVER, SEAT (LOWER).....	A6 B6	-----	-----	1	77401-MCT-020	7055114
23	DAMPER, OPENNER.....	A6 B6	-----	-----	1	83590-MCT-003	6961932
24	BOLT, SEAT HINGE.....	A6 B6	-----	-----	1	90105-MCT-000	6962146
25	BOLT, SPECIAL FLANGE (8X35)	A6 B6	-----	-----	4	90107-MCT-000	6962161
26	SCREW, PAN (6X16).....	A6 B6	-----	-----	2	90113-KPB-000	6684351
27	SCREW, TRUSS (M6X16)	A6 B6	-----	-----	2	90131-S0X-A00	5943790
28	NUT, FLANGE (8MM).....	A6 B6	-----	-----	3	90302-SH3-003	4020632
29	WASHER, FR. COVER SETTING	A6 B6	-----	-----	2	90501-124-000	0398420
30	NUT, CLIP (5MM).....	A6 B6	-----	-----	2	90677-KAN-961	5750450
31	SCREW-WASHER (4X14)	A6 B6	-----	-----	1	93893-04014-08	1685791
32	SCREW, TAPPING (5X12).....	A6 B6	-----	-----	6	93904-35210	2532695
33	NUT, FLANGE (6MM).....	A6 B6	-----	-----	5	94050-06000	0471623
34	PIN, LOCK (6MM).....	A6 B6	-----	-----	2	94251-06000	0058487
35	RUBBER A, STAND STOPPER.....	A6 B6	-----	-----	2	95011-61000	0255638
36	BOLT, FLANGE (6X12)	A6 B6	-----	-----	3	95701-06012-00	2105799

FUEL TANK



A6=FSC600A'06
B6=FSC600D'06

F-20

Frame
Serial Number

Ref	Description	Model	From	To	QTY	Part Number	H/C
1	PUMP ASSY., FUEL.....	A6 B6			1	16700-MCT-641	7396252
2	PUMP, FUEL	A6 B6			1	16710-MCT-013	7088149
3	HOSE A, PUMP	A6 B6			2	16711-MCT-000	6958615
4	TUBE, FUEL PUMP RETURN	A6 B6			1	16713-MCT-000	6958623
5	FILTER, FUEL RETURN	A6 B6			1	16714-MCT-641	7396260
6	RUBBER, FUEL PUMP UNIT.....	A6 B6			1	16716-MEF-000	7056948
7	FILTER, FUEL	A6 B6			1	16900-MCH-003	6701437
8	JOINT, TWO-WAY (3.5).....	A6 B6			1	17414-PC6-660	1730050
9	TRAY, FUEL TANK	A6 B6			1	17507-MCT-000	6958904
10	TANK, FUEL.....	A6 B6			1	17510-MCT-000	6958912
11	TRIM, FUEL TANK.....	A6 B6			3	17516-HC0-000	2516003
12	JOINT, FUEL TUBE	A6 B6			1	17525-KBN-900	6958920
13	HOSE, FUEL RETURN	A6 B6			1	17525-MCT-003	7925530
14	RUBBER, HEAT GUARD.....	A6 B6			2	17526-MCT-000	6958946
15	HOSE, FUEL FEED	A6 B6			1	17528-MCT-020	6958953
16	TUBE, SEPARATOR BREATHER.....	A6 B6			1	17530-MCT-000	6958961
17	GASKET, BASE	A6 B6			1	17574-MCF-000	6428015
18	CAP, FUEL FILLER	A6 B6			1	17620-MCT-D01	7957152

FUEL TANK

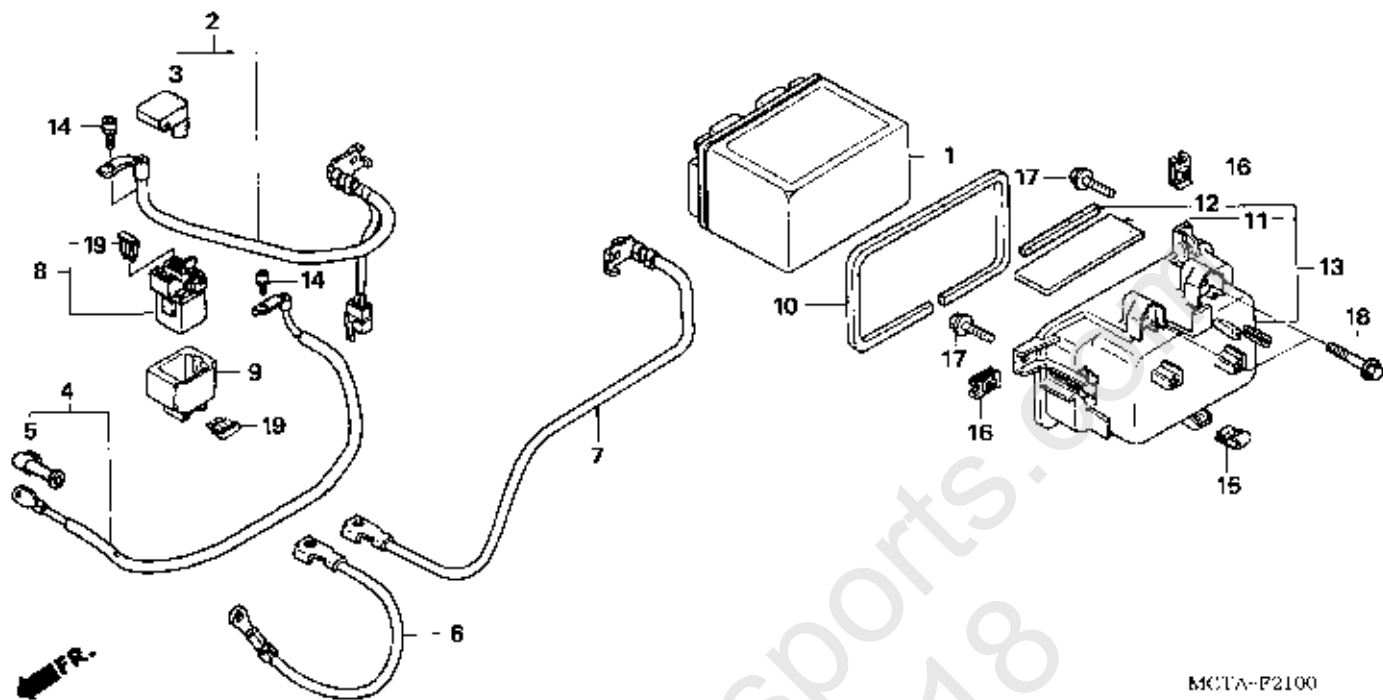
A6=FSC600A'06
B6=FSC600D'06

F-20

Frame
Serial Number

Ref	Description	Model	From	To	QTY	Part Number	H/C
19	RUBBER, HEAT GUARD	A6 B6	-----	-----	1	19020-MCT-680	6959100
20	CLAMP, IGNITION WIRE	A6 B6	-----	-----	1	30564-ZE8-003	2106458
21	BOLT, BANJO (12MM).....	A6 B6	-----	-----	1	90008-PP4-E02	3897865
22	BOLT, SEALING (6MM)	A6 B6	-----	-----	1	90009-PP4-E01	3897873
23	BOLT, FLANGE (6X18)	A6 B6	-----	-----	2	90010-HB9-000	2302982
24	SCREW-WASHER (4X10)	A6 B6	-----	-----	2	90110-MCH-000	6703540
25	SCREW, SPECIAL (5X10)	A6 B6	-----	-----	1	90111-MAZ-000	6703557
26	COLLAR, FUEL TANK	A6 B6	-----	-----	2	90175-MCT-640	7397201
27	NUT A, SEALING (12MM)	A6 B6	-----	-----	1	90201-PD1-000	1868967
28	WASHER, SEALING (12MM).....	A6 B6	-----	-----	4	90428-PD6-003	2128429
29	WASHER, SEALING (6MM).....	A6 B6	-----	-----	1	90430-PD6-003	2128437
30	GROMMET A, AIR CLEANER HOUSING ..	A6 B6	-----	-----	2	90505-MC4-000	1223767
31	CLIP, TRIM	A6 B6	-----	-----	2	90683-GAZ-003	4529715
32	CLAMP, TUBE (D12)	A6 B6	-----	-----	4	91405-PD1-004	1869502
33	CLAMP, FUEL HOSE (D10.5)	A6 B6	-----	-----	2	91406-SL4-931	3778867
34	NUT, FLANGE (6MM).....	A6 B6	-----	-----	7	94050-06000	0471623
35	NUT, FLANGE (8MM).....	A6 B6	-----	-----	1	94050-08000	0481143
36	CLIP, TUBE	A6 B6	-----	-----	1	95002-40850-04	1181742
37	BULK HOSE, VINYL (9X11X3000) (9X11X460)	A6 B6	-----	-----	1	95003-25003-60M	8017931

BATTERY



MCTA-P2100

MCTAF2100

A6=FSC600A'06
B6=FSC600D'06

F-21

Frame
Serial Number

Ref	Description	Model	From	To	QTY	Part Number	H/C
1	BATTERY (YTZ12S) (YUASA).....	A6 B6	-----	-----	1	31500-MCF-641	6432900
	BATTERY (YTZ12S) (YUASA).....	A6 B6	-----	-----	1	31500-MCF-643	6685820
	BATTERY (FTZ12S) (YUASA).....	A6 B6	-----	-----	1	31500-MCF-672	6432918
2	CABLE, STARTER MAGNETIC BATTERY	A6 B6	-----	-----	1	32401-MCT-000	6959761
3	COVER, STARTER MAGNETIC TERMINAL	A6 B6	-----	-----	1	32406-KAZ-000	3723707
4	CABLE, STARTER MOTOR.....	A6 B6	-----	-----	1	32410-MCT-000	6959779
5	COVER, STARTER MOTOR TERMINAL....	A6 B6	-----	-----	1	32411-230-000	0208652
	COVER, STARTER MOTOR TERMINAL....	A6 B6	-----	-----	1	32411-253-000	0177360
6	CABLE, GROUND	A6 B6	-----	-----	1	32603-MCT-940	7396385
7	CABLE, BATTERY GROUND	A6 B6	-----	-----	1	32610-MCT-940	7396393
8	SWITCH ASSY., STARTER MAGNETIC....	A6 B6	-----	-----	1	35850-MR5-007	3138419
9	RUBBER, SHOCK ABSORBER.....	A6 B6	-----	-----	1	35856-KBH-000	4043675
10	SEAL, BATTERY BOX.....	A6 B6	-----	-----	1	50324-MCT-000	6960603
11	CUSHION, BATTERY BOX	A6 B6	-----	-----	1	50328-MCT-000	6960629
12	RUBBER, BATTERY BOX	A6 B6	-----	-----	1	50329-MCT-000	6960637
13	BOX ASSY., BATTERY	A6 B6	-----	-----	1	50330-MCT-000	6960645
14	BOLT, SOCKET (5X9)	A6 B6	-----	-----	2	90111-MR5-000	3141603

BATTERY

A6=FSC600A'06
B6=FSC600D'06

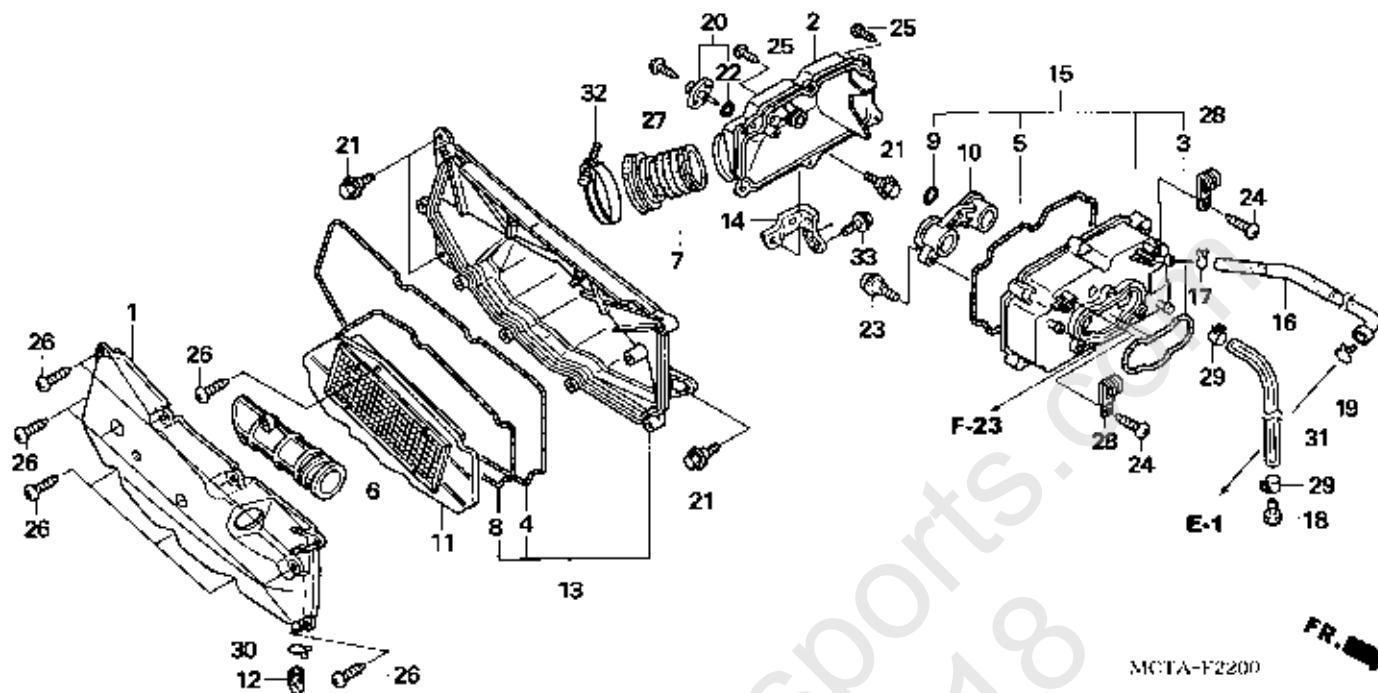
F-21

Frame
Serial Number

Ref	Description	Model	From	To	QTY	Part Number	H/C
15	NUT, SPRING (4MM)	A6 B6	-----	-----	1	90302-SA4-003	1169861
16	NUT, CLIP (6MM).....	A6 B6	-----	-----	2	90305-GEE-710	6684476
17	BOLT-WASHER (6X20)	A6 B6	-----	-----	2	93404-06020-07	2711455
18	BOLT-WASHER (8X25)	A6 B6	-----	-----	2	93404-08025-00	2920478
19	FUSE, BLADE (30A).....	A6 B6	-----	-----	2	98200-33000	1644251

World of Powersports.com
800-407-7218

AIR CLEANER



MCTA-F2200



MCTAF2200

A6=FSC600A'06
B6=FSC600D'06

F-22

Frame
Serial Number

Ref	Description	Model	From	To	QTY	Part Number	H/C
1	COVER, AIR CLEANER.....	A6 B6	-----	-----	1	17207-MCT-000	6958672
2	CHAMBER, RR. AIR CLEANER.....	A6 B6	-----	-----	1	17209-MCT-000	6958680
3	SEAL, AIR CLEANER COVER.....	A6 B6	-----	-----	1	17212-GG2-000	6958698
	SEAL, AIR CLEANER COVER.....	A6 B6	-----	-----	1	17222-MN4-405	2941573
4	SEAL, AIR CLEANER.....	A6 B6	-----	-----	1	17212-MCT-000	6958706
5	SEAL, AIR CHAMBER.....	A6 B6	-----	-----	1	17213-MCT-000	6958714
6	DUCT, AIR CLEANER.....	A6 B6	-----	-----	1	17214-MCT-000	6958722
7	JOINT, AIR CLEANER.....	A6 B6	-----	-----	1	17215-MCT-000	6958730
8	SEAL, AIR CLEANER ELEMENT.....	A6 B6	-----	-----	1	17216-MCT-000	6958748
9	SEAL B, AIR CLEANER HOUSING.....	A6 B6	-----	-----	1	17223-MAT-300	5232905
10	FUNNEL, AIR.....	A6 B6	-----	-----	1	17227-MCT-000	6958755
11	ELEMENT, AIR CLEANER.....	A6 B6	-----	-----	1	17230-MCT-000	6874606
12	TUBE, AIR CLEANER DRAIN.....	A6 B6	-----	-----	1	17234-KCW-871	7492978
13	CASE SUB-ASSY., AIR CLEANER.....	A6 B6	-----	-----	1	17235-MCT-770	7925407
14	STAY, AIR CHAMBER.....	A6 B6	-----	-----	1	17251-MCT-000	6958771
15	CHAMBER SUB-ASSY., AIR CLEANER....	A6 B6	-----	-----	1	17255-MCT-000	6958789
16	TUBE, BREATHER.....	A6 B6	-----	-----	1	17361-MCT-000	6958805
17	CLIP, BREATHER TUBE.....	A6 B6	-----	-----	1	17369-KB4-670	1737931

AIR CLEANER

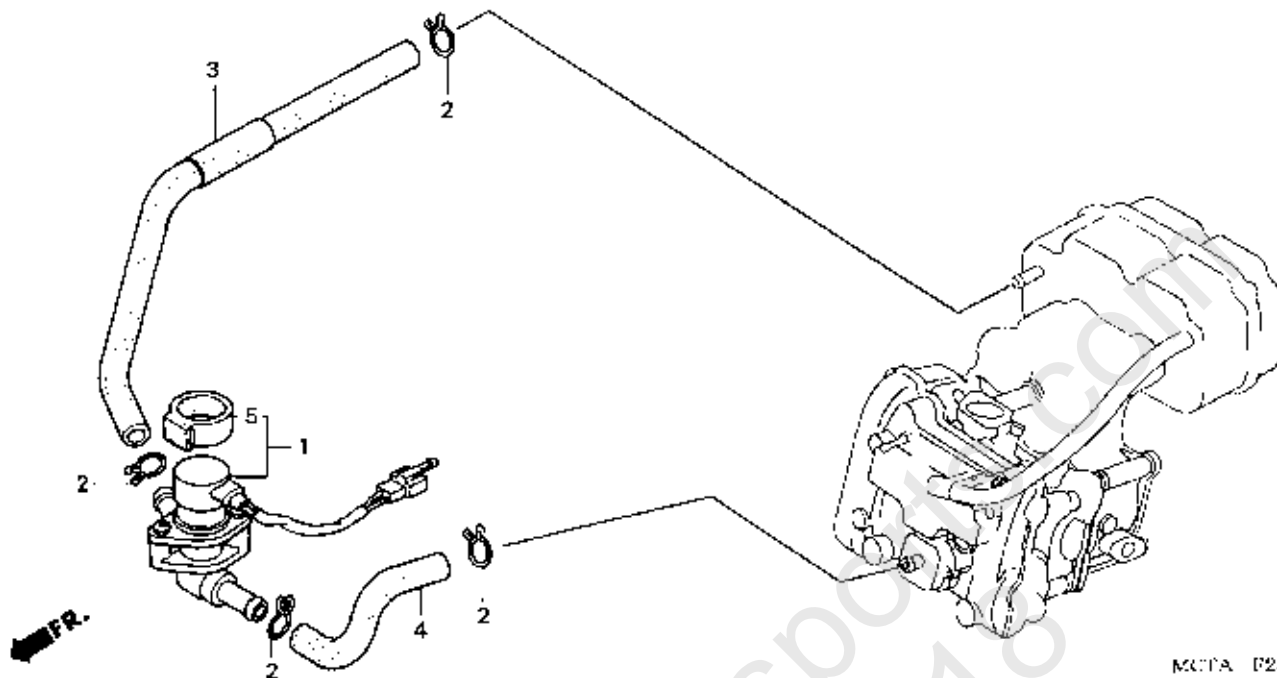
A6=FSC600A'06
B6=FSC600D'06

F-22

Frame
Serial Number

Ref	Description	Model	From	To	QTY	Part Number	H/C
18	PLUG, BREATHER TUBE	A6 B6	-----	-----	1	17370-419-700	0669002
19	CLIP, SUB-TANK HOSE	A6 B6	-----	-----	1	17724-102-700	0290213
20	SENSOR ASSY., TA	A6 B6	-----	-----	1	37880-P05-A00	3881711
21	BOLT, FLANGE (6MM).....	A6 B6	-----	-----	4	90111-162-000	0811141
22	O-RING (7.5X1.5) (HONDA KIKAKI)	A6 B6	-----	-----	1	91303-PK2-005	2684819
23	SCREW, PAN (5MM)	A6 B6	-----	-----	3	91508-MM5-000	2568954
24	SCREW, TAPPING (4X12).....	A6 B6	-----	-----	2	93903-24320	0786822
25	SCREW, TAPPING (5X20).....	A6 B6	-----	-----	7	93903-25420	2476935
26	SCREW, TAPPING (5X20).....	A6 B6	-----	-----	13	93903-25480	1938406
27	SCREW (5X20) (TAPPING)(PO)	A6 B6	-----	-----	2	93911-25520	5742796
28	CLIP (2X50)	A6 B6	-----	-----	2	94591-25000	0649822
29	CLIP, TUBE (D12)	A6 B6	-----	-----	2	95002-41200-08	1390988
30	CLIP, TUBE (C12)	A6 B6	-----	-----	1	95002-80000	0073700
31	BULK HOSE, VINYL (8X12X8000) (8X12X420)	A6 B6	-----	-----	1	95003-23008-60M	4825345
32	BAND, AIR CLEANER CONNECTING TUBE (72).....	A6 B6	-----	-----	1	95018-72250	6962583
33	BOLT, FLANGE (6X14)	A6 B6	-----	-----	2	95701-06014-08	2374742

AIR INJECTION VALVE



MCTA F2300

MCTAF2300

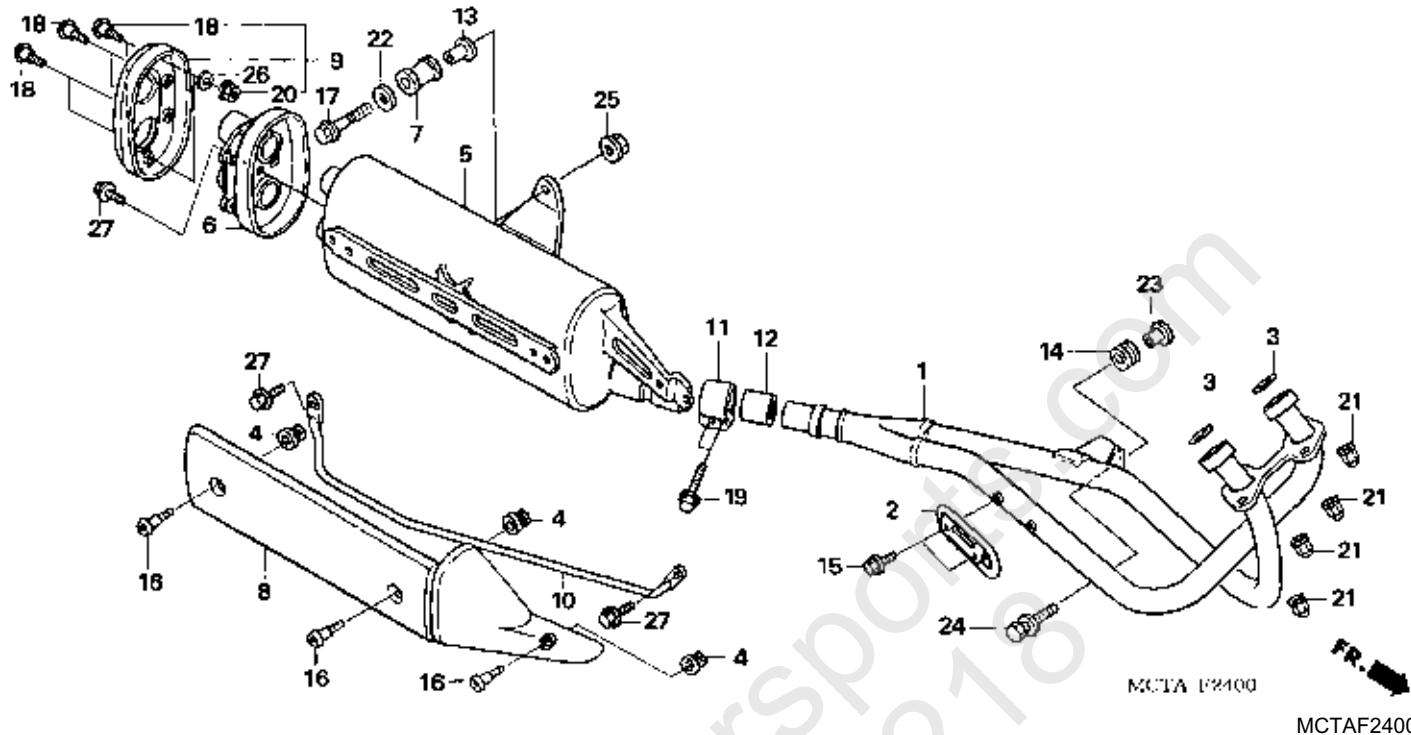
A6=FSC600A'06
B6=FSC600D'06

F-23

Frame
Serial Number

Ref	Description	Model	From	To	QTY	Part Number	H/C
1	VALVE ASSY., AIR SOLENOID	A6 B6	-----	-----	1	17450-MCT-000	6958896
2	CLIP, SUB-TANK HOSE	A6 B6	-----	-----	4	17724-102-700	0290213
3	TUBE A, AIR INJECTION CONTROL VALVE	A6 B6	-----	-----	1	18651-MCT-000	6959068
4	TUBE B, AIR INJECTION CONTROL VALVE	A6 B6	-----	-----	1	18652-MCT-000	6959076
5	SUSPENSION, SOLENOID VALVE.....	A6 B6	-----	-----	1	36172-MN5-003	2806750

EXHAUST MUFFLER



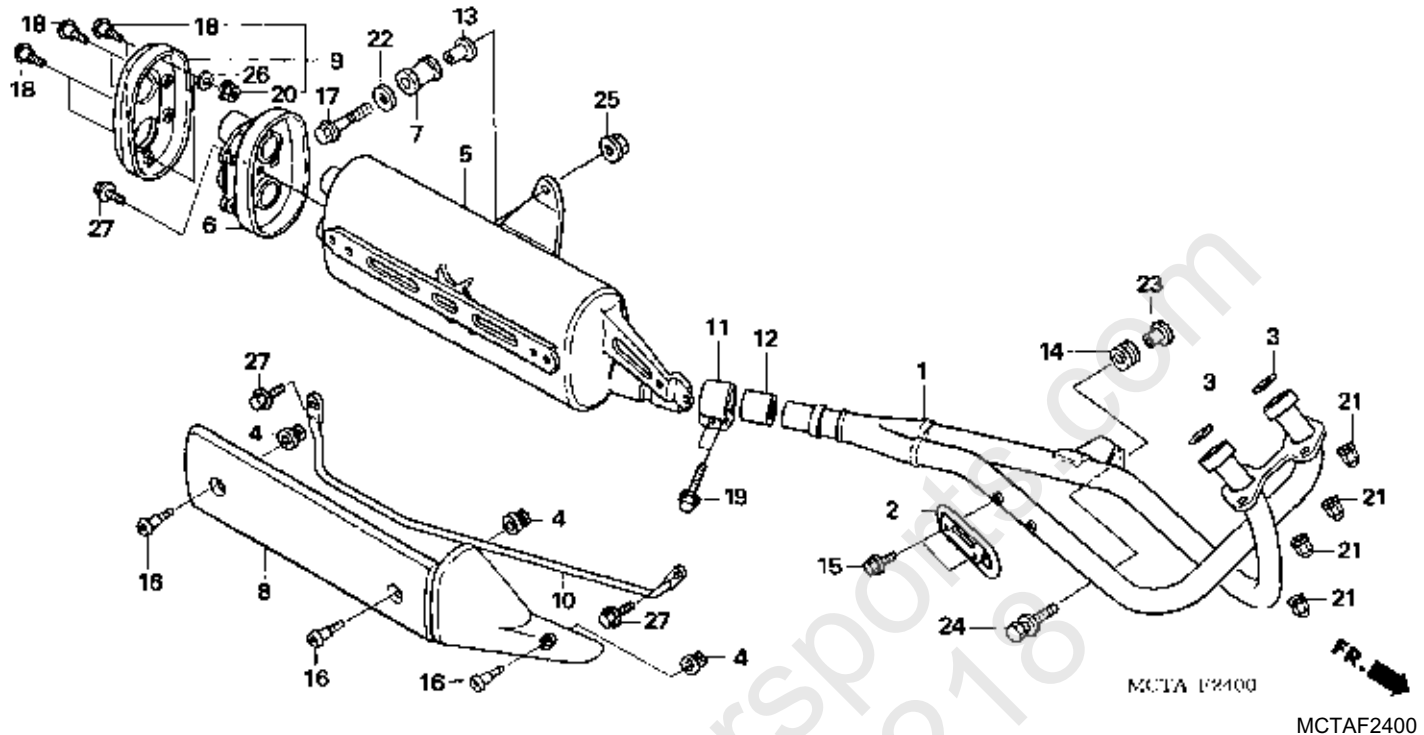
A6=FSC600A'06
B6=FSC600D'06

F-24

Frame
Serial Number

Ref	Description	Model	From	To	QTY	Part Number	H/C
1	PIPE, EX.	A6 B6	-----	-----	1	18150-MCT-L00	7957277
2	PROTECTOR, EX. PIPE	A6 B6	-----	-----	1	18155-MCT-010	7396278
3	GASKET, EX. PIPE	A6 B6	-----	-----	2	18291-MN4-920	2916997
4	RUBBER, PROTECTOR GASKET.....	A6 B6	-----	-----	3	18293-GZ5-000	4220042
5	MUFFLER.....	A6 B6	-----	-----	1	18310-MCT-951	7925720
6	STAY, TAIL COVER.....	A6 B6	-----	-----	1	18317-MCT-640	7396294
7	RUBBER, MUFFLER MOUNTING.....	A6 B6	-----	-----	1	18318-MBV-000	6959019
8	PROTECTOR, MUFFLER	A6 B6	-----	-----	1	18318-MCT-010	6878060
9	COVER ASSY., MUFFLER TAIL	A6 B6	-----	-----	1	18319-MCT-940	7396302
10	GUARD, MUFFLER	A6 B6	-----	-----	1	18338-MCT-010	6959035
11	BAND, MUFFLER.....	A6 B6	-----	-----	1	18373-ML7-920	6959043
12	GASKET, MUFFLER	A6 B6	-----	-----	1	18391-ML8-000	2152213
13	COLLAR, MOUNTING RUBBER	A6 B6	-----	-----	1	50607-KK6-000	2262897
14	RUBBER, RR. FENDER.....	A6 B6	-----	-----	1	80103-MG2-000	1490408
15	BOLT, FLANGE (6X8)	A6 B6	-----	-----	2	90012-ZE6-000	1454743
16	SCREW, SPECIAL (5X17).....	A6 B6	-----	-----	3	90105-MBY-000	6092019
17	BOLT, FLANGE (8X50)	A6 B6	-----	-----	1	90108-MB2-000	1431196
18	SCREW, SPECIAL (5X14).....	A6 B6	-----	-----	6	90114-KPB-750	6962203

EXHAUST MUFFLER



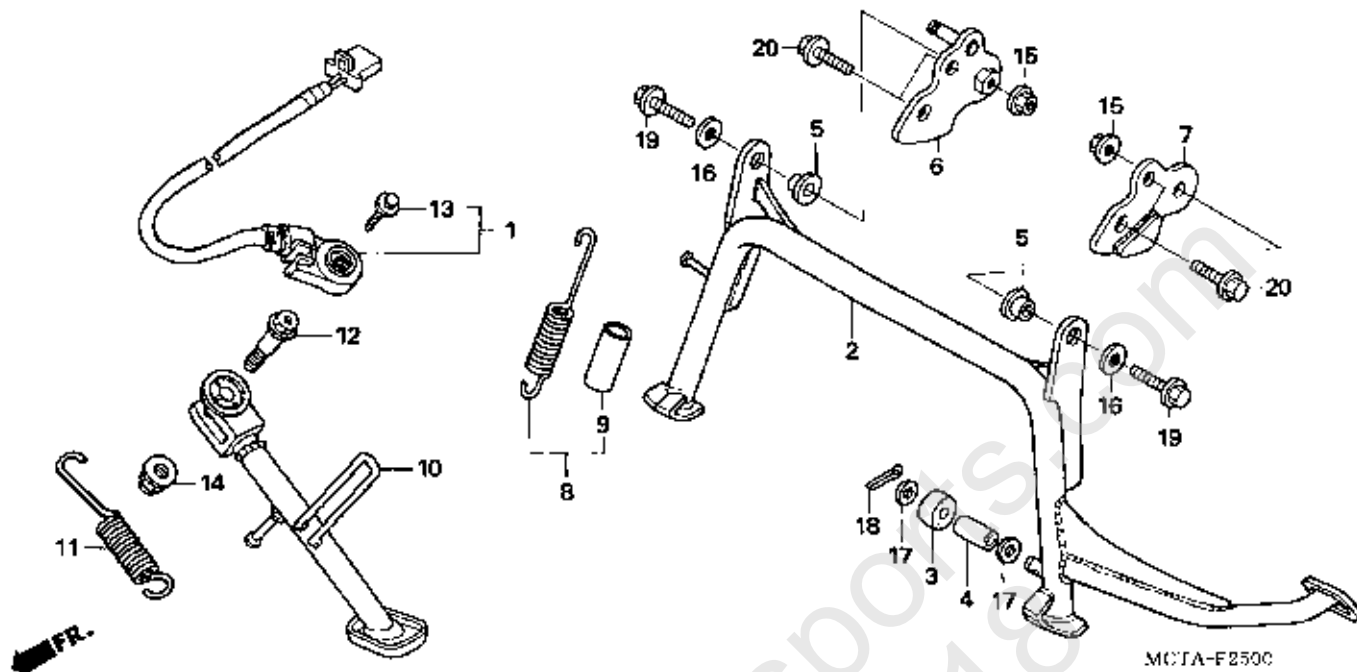
A6=FSC600A'06
B6=FSC600D'06

F-24

Frame
Serial Number

Ref	Description	Model	From	To	QTY	Part Number	H/C
19	BOLT, FLANGE (8X35)	A6 B6	-----	-----	2	90161-ML7-000	2528677
20	NUT, FLANGE (5MM).....	A6 B6	-----	-----	2	90301-MG8-000	2054229
21	NUT, CAP (6MM)	A6 B6	-----	-----	4	90304-438-000	0765693
22	WASHER (8.3MM)	A6 B6	-----	-----	1	90501-KAF-000	3118411
23	COLLAR (.8X11)	A6 B6	-----	-----	1	90551-MG7-000	1694231
24	BOLT-WASHER (8X32)	A6 B6	-----	-----	1	93414-08032-00	6962518
25	NUT, FLANGE (8MM).....	A6 B6	-----	-----	1	94050-08000	0481143
26	WASHER, PLAIN (5MM)	A6 B6	-----	-----	2	94101-05000	0059055
27	BOLT, FLANGE (6X12)	A6 B6	-----	-----	4	95701-06012-08	2170793

STAND



MCTAF2500

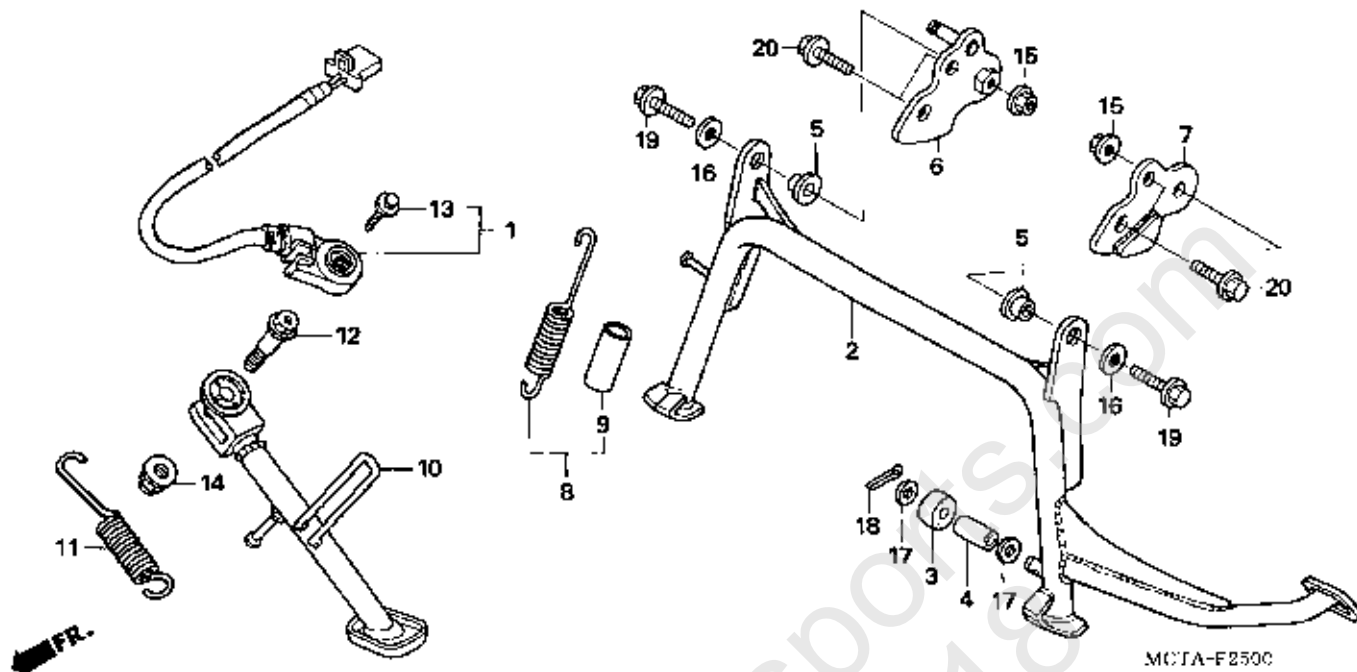
A6=FSC600A'06
B6=FSC600D'06

F-25

Frame
Serial Number

Ref	Description	Model	From	To	QTY	Part Number	H/C
1	SWITCH SET, SIDE STAND	A6 B6	-----	-----	1	35700-MCT-305	7054752
2	STAND, MAIN.....	A6 B6	-----	-----	1	50500-MCT-680	7054869
3	RUBBER, MAIN STAND STOPPER	A6 B6	-----	-----	1	50502-KAB-000	3225851
4	COLLAR, MAIN STAND STOPPER.....	A6 B6	-----	-----	1	50503-KAB-000	3225869
5	COLLAR, MAIN STAND	A6 B6	-----	-----	2	50503-MA6-010	2255305
6	BRACKET, R. MAIN STAND	A6 B6	-----	-----	1	50505-MCT-770	7948672
7	BRACKET, L. MAIN STAND.....	A6 B6	-----	-----	1	50506-MCT-770	7948979
8	SPRING ASSY., MAIN STAND	A6 B6	-----	-----	1	50520-MT3-601	4129433
9	TUBE, MAIN STAND SPRING.....	A6 B6	-----	-----	1	50524-MT3-601	3738986
10	BAR, SIDE STAND.....	A6 B6	-----	-----	1	50530-MCT-000	6960710
11	SPRING, SIDE STAND	A6 B6	-----	-----	1	50535-429-000	0785824
12	BOLT, SIDE STAND PIVOT.....	A6 B6	-----	-----	1	90108-MK6-670	3106895
13	BOLT, SPECIAL (6X16).....	A6 B6	-----	-----	1	90147-MCE-950	7332737
14	NUT, SIDE STAND.....	A6 B6	-----	-----	1	90203-MF9-710	2544781
15	NUT, FLANGE (10MM).....	A6 B6	-----	-----	2	90303-428-900	1078187
	NUT, FLANGE (10MM).....	A6 B6	-----	-----	2	94050-10070	3362183
16	WASHER, PLAIN (10MM)	A6 B6	-----	-----	2	94101-10700	0822973
17	WASHER, PLAIN (8MM)	A6 B6	-----	-----	2	94102-08800	0562215

STAND



MCTAF2500

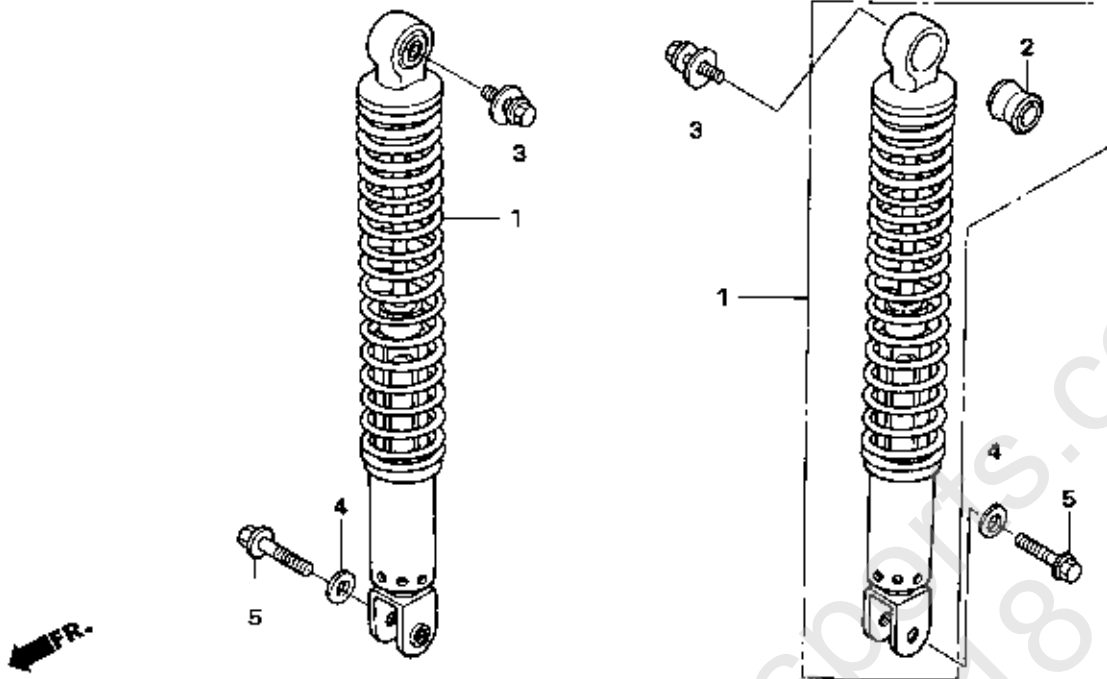
A6=FSC600A'06
B6=FSC600D'06

F-25

Frame
Serial Number

Ref	Description	Model	From	To	QTY	Part Number	H/C
18	PIN, COTTER (2.0X20)	A6 B6	-----	-----	1	94201-20200	0058354
	PIN, COTTER (2.0X22)	A6 B6	-----	-----	1	94201-20220	0058362
	PIN, COTTER (2.0X25)	A6 B6	-----	-----	1	94201-20250	0058370
	PIN, COTTER (2X28)	A6 B6	-----	-----	1	94201-20280	0428292
	PIN, COTTER (2.0X32)	A6 B6	-----	-----	1	94201-20320	0145607
	PIN, COTTER (2.0X35)	A6 B6	-----	-----	1	94201-20350	0058388
	PIN, COTTER (2.0X22)	A6 B6	-----	-----	1	94201-29220	1484047
19	BOLT, FLANGE (10X40)	A6 B6	-----	-----	2	95701-10040-07	3044468
20	BOLT, FLANGE (10X30)	A6 B6	-----	-----	4	95701-10030-00	3621166
	BOLT, FLANGE (10X30)	A6 B6	-----	-----	4	95801-10030-00	6962609

REAR SHOCK ABSORBER



MCTA F2600

MCTAF2600

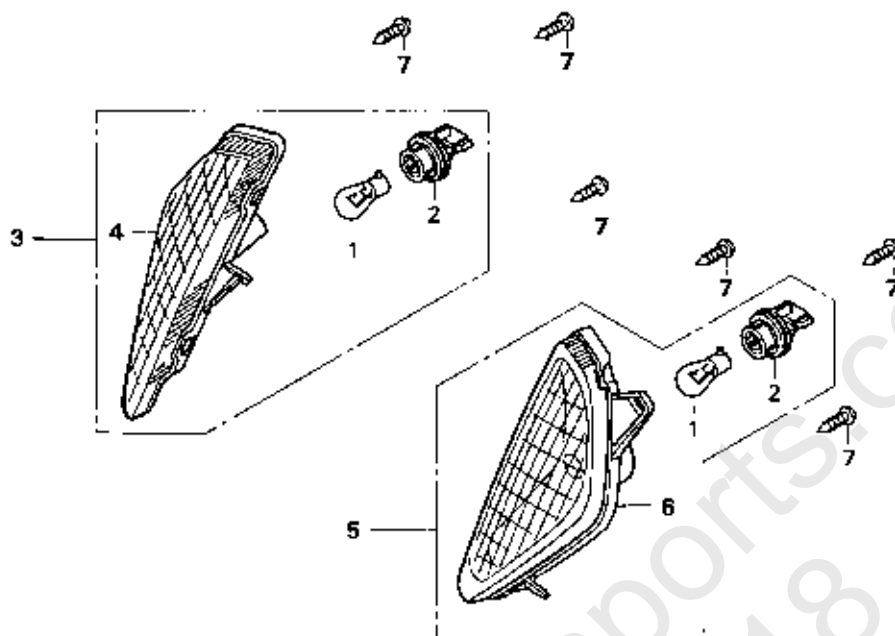
A6=FSC600A'06
B6=FSC600D'06

F-26

Frame
Serial Number

Ref	Description	Model	From	To	QTY	Part Number	H/C
1	CUSHION ASSY., RR. (KAYABA)	A6 B6	-----	-----	2	52400-MCT-003	6961056
2	BUSH, RR. SHOCK ABSORBER.....	A6 B6	-----	-----	2	52489-MJ1-004	1693407
3	BOLT-WASHER (8X12)	A6 B6	-----	-----	2	90110-MCT-000	6962195
4	WASHER, PLAIN (10MM)	A6 B6	-----	-----	2	94101-10000	0059113
5	BOLT, FLANGE (10X40)	A6 B6	-----	-----	2	96400-10040-00	2084762

TURN SIGNAL



MCTA F2700

MCTAF2700

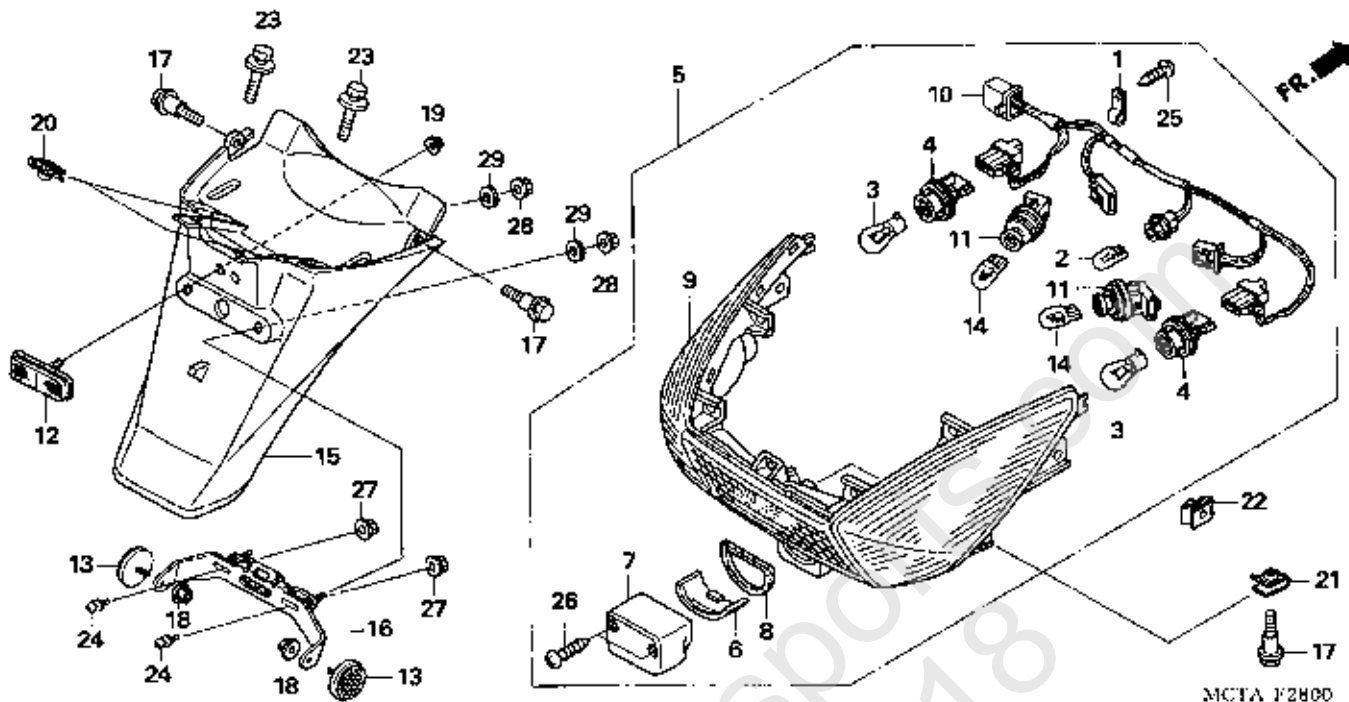
A6=FSC600A'06
B6=FSC600D'06

F-27

Frame
Serial Number

Ref	Description	Model	From	To	QTY	Part Number	H/C
1	BULB, FR. TURN (12V21W) (STANLEY)....	A6 B6	-----	-----	2	33301-S04-004	4841904
2	SOCKET (AMBER).....	A6 B6	-----	-----	2	33303-S04-003	4841938
3	TURN SIGNAL ASSY., R. FR.	A6 B6	-----	-----	1	33400-MCT-003	7054729
4	LENS, R. TURN SIGNAL	A6 B6	-----	-----	1	33410-MCT-003	6878086
5	TURN SIGNAL ASSY., L. FR. (12V 21W) ..	A6 B6	-----	-----	1	33450-MCT-003	7054737
6	LENS, L. TURN SIGNAL	A6 B6	-----	-----	1	33460-MCT-003	6878102
7	SCREW, TAPPING (4X12).....	A6 B6	-----	-----	6	93903-34380	0737999

TAILLIGHT • REAR FENDER



MCTA F2800

MCTAF2800

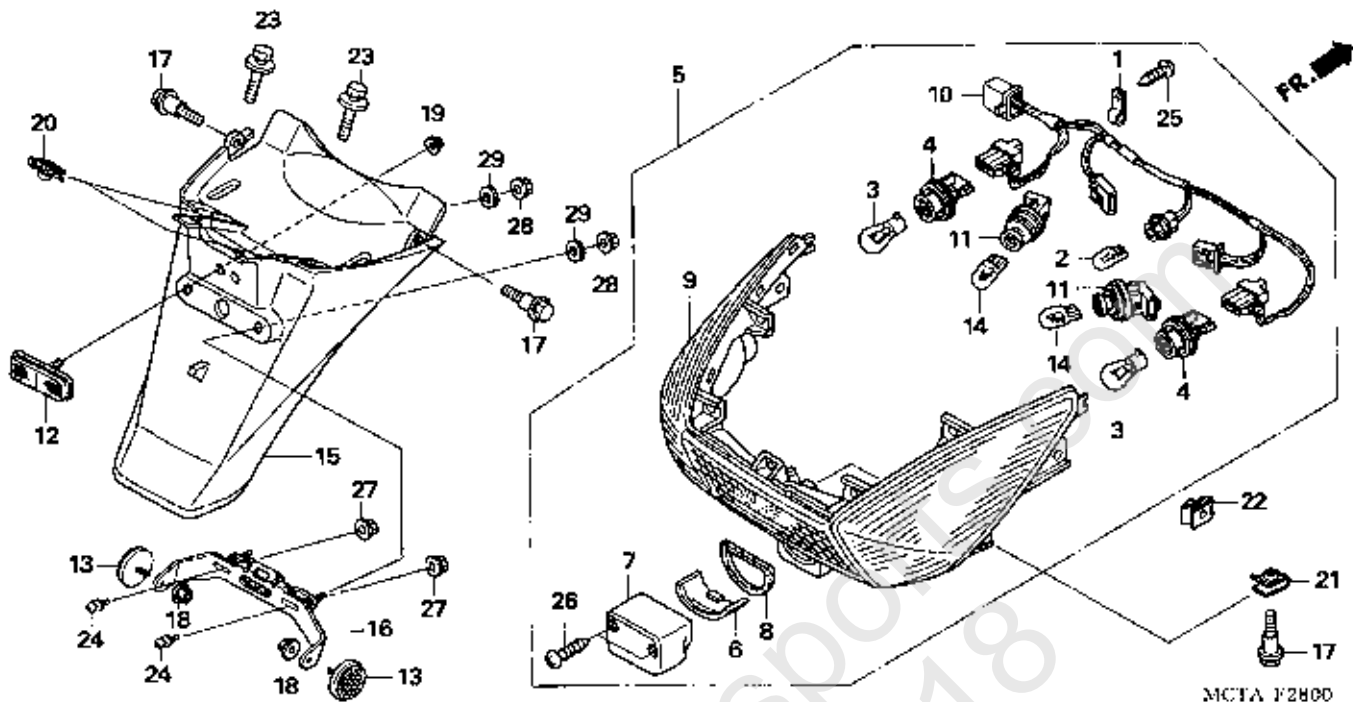
A6=FSC600A'06
B6=FSC600D'06

F-28

Frame
Serial Number

Ref	Description	Model	From	To	QTY	Part Number	H/C
1	CLAMP, WIRE	A6 B6	-----	-----	1	32920-MN5-003	2820710
2	BULB (12V5W) (ECE) (STANLEY).....	A6 B6	-----	-----	1	33301-SA0-741	3230877
3	BULB, FR. TURN (12V21W) (STANLEY)....	A6 B6	-----	-----	2	33301-S04-004	4841904
4	SOCKET (AMBER).....	A6 B6	-----	-----	2	33303-S04-003	4841938
5	LIGHT ASSY., RR. COMBINATION.....	A6 B6	-----	-----	1	33700-MCT-003	6959811
6	LENS, LICENSE.....	A6 B6	-----	-----	1	33702-KFG-003	6959829
7	COVER LICENSE.....	A6 B6	-----	-----	1	33706-MCT-691	7778863
8	GASKET, LICENSE LIGHT	A6 B6	-----	-----	1	33709-KAB-003	3171634
9	LIGHT UNIT, RR. COMBINATION.....	A6 B6	-----	-----	1	33710-MCT-003	6959837
10	WIRE	A6 B6	-----	-----	1	33711-MCT-691	6959845
11	SOCKET.....	A6 B6	-----	-----	2	33720-GZ9-003	5363643
12	REFLECTOR, REFLEX	A6 B6	-----	-----	1	33741-MS6-921	3696564
13	REFLECTOR, RR. REFLEX.....	A6 B6	-----	-----	2	33741-HB9-641	2898682
	REFLECTOR, RR. REFLEX.....	A6 B6	-----	-----	2	33741-148-872	2038198
14	BULB, WEDGE BASE (12V21/5W) (ECE) ..	A6 B6	-----	-----	2	34906-MBB-611	5363650
15	FENDER, RR.....	A6 B6	-----	-----	1	80100-MCT-000	6961775
16	BRACKET, NUMBER PLATE.....	A6 B6	-----	-----	1	84701-MCT-C00	7962640
17	BOLT, FLANGE (6MM).....	A6 B6	-----	-----	4	90111-162-000	0811141

TAILLIGHT • REAR FENDER



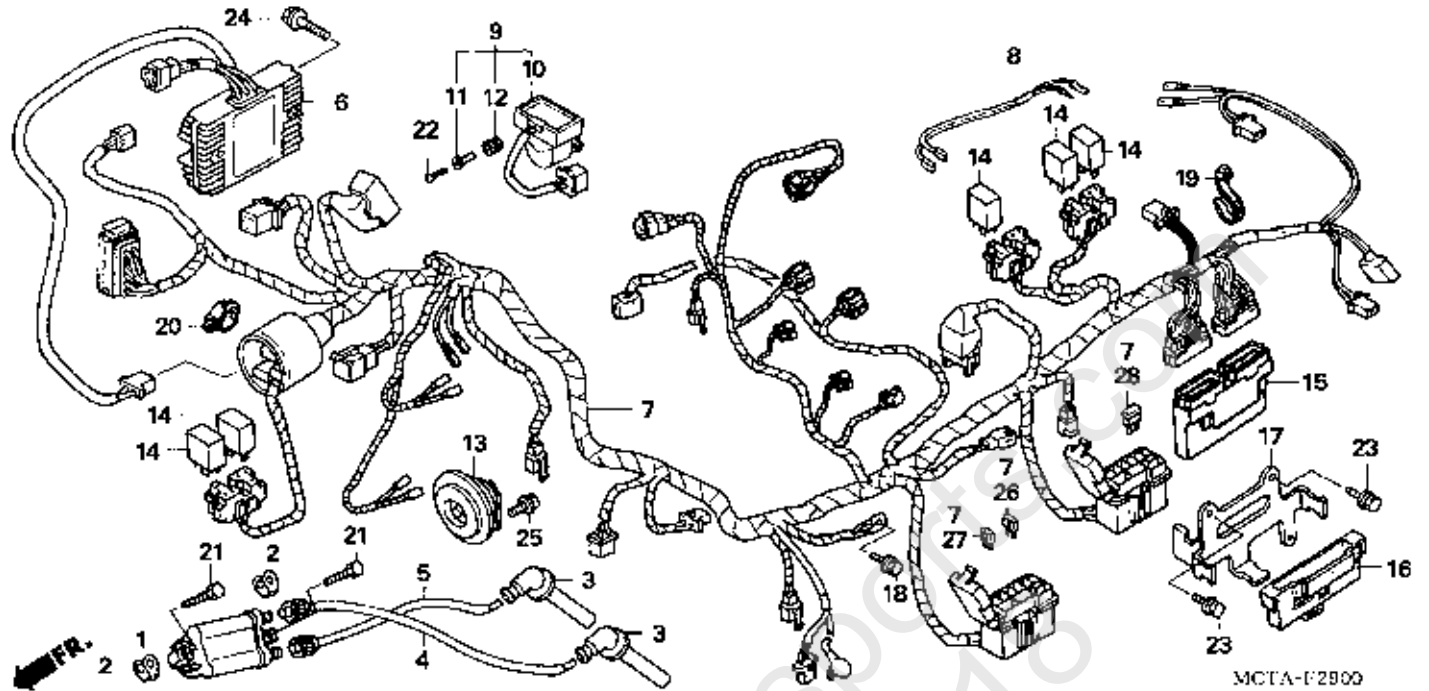
A6=FSC600A'06
B6=FSC600D'06

F-28

Frame
Serial Number

Ref	Description	Model	From	To	QTY	Part Number	H/C
18	NUT, U (6MM)	A6 B6	-----	-----	2	90301-MG3-000	1553908
19	NUT, FLANGE (5MM).....	A6 B6	-----	-----	1	90301-MG8-000	2054229
20	NUT, CLIP (6MM).....	A6 B6	-----	-----	2	90305-GEE-710	6684476
21	NUT, CLIP (6MM).....	A6 B6	-----	-----	2	90305-GK8-000	1899202
22	NUT, CLIP (5MM).....	A6 B6	-----	-----	2	90677-KAN-961	5750450
23	BOLT-WASHER (6X12)	A6 B6	-----	-----	2	93404-06012-07	2535292
	BOLT-WASHER (6X12)	A6 B6	-----	-----	2	93404-06012-08	2498764
24	SCREW-WASHER (6X12)	A6 B6	-----	-----	2	93891-06012-00	0638429
25	SCREW, TAPPING (4X10).....	A6 B6	-----	-----	1	93901-34220	0737908
26	SCREW, TAPPING (4X20).....	A6 B6	-----	-----	2	93901-34580	6962526
27	NUT, FLANGE (6MM).....	A6 B6	-----	-----	2	94050-06000	0471623
28	NUT, FLANGE (6MM).....	A6 B6	-----	-----	2	94050-06070	2322832
29	WASHER, PLAIN (6MM)	A6 B6	-----	-----	2	94103-06000	0450122

WIRE HARNESS



MCTA-F2900

MCTAF2900

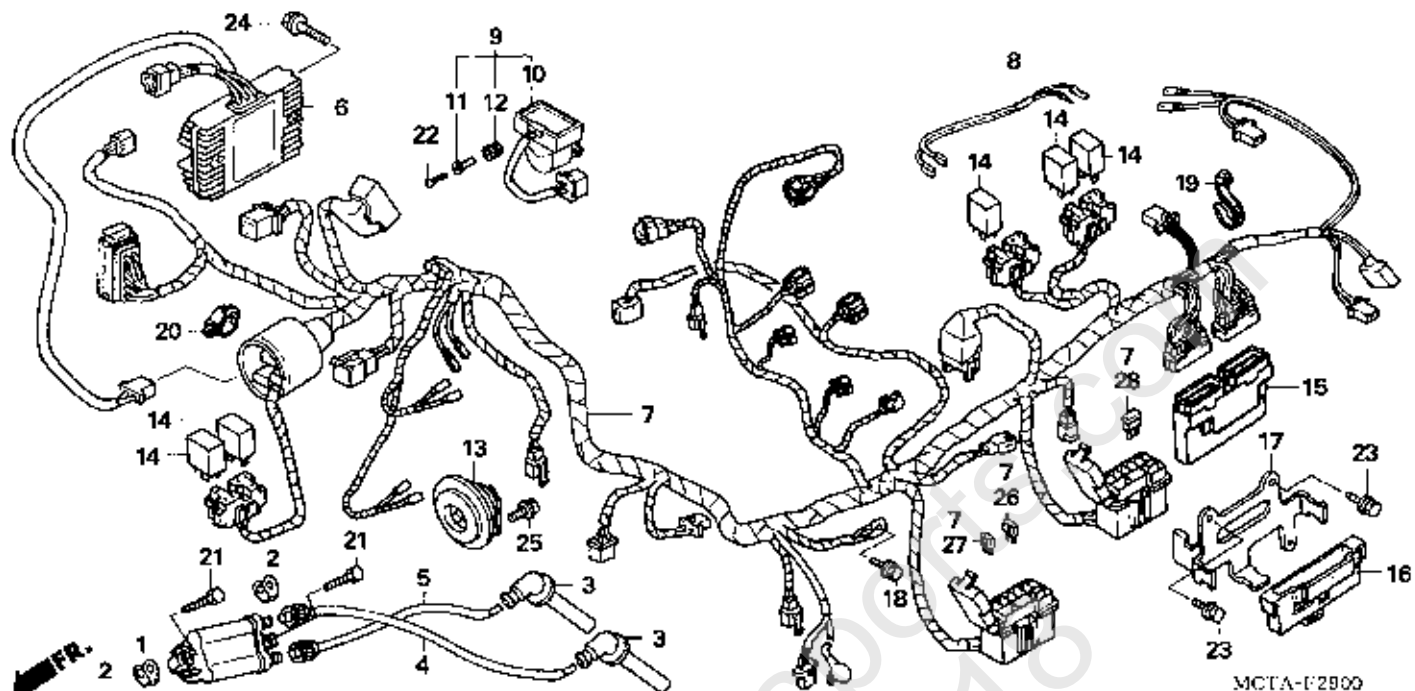
A6=FSC600A'06
B6=FSC600D'06

F-29

Frame
Serial Number

Ref	Description	Model	From	To	QTY	Part Number	H/C
1	COIL, IGNITION	A6 B6	-----	-----	1	30510-MCC-003	6385298
2	SPACER, IGNITION COIL	A6 B6	-----	-----	2	30520-ML7-000	2404895
3	CAP ASSY., NOISE SUPPRESSOR	A6 B6	-----	-----	2	30700-KY2-701	4043030
4	WIRE, IGNITION (1).....	A6 B6	-----	-----	1	30731-MCT-000	6959639
5	WIRE, IGNITION (2).....	A6 B6	-----	-----	1	30732-MCT-000	6959647
6	RECTIFIER ASSY., REGULATOR.....	A6 B6	-----	-----	1	31600-MCT-771	7926058
7	WIRE HARNESS	A6	-----	-----	1	32100-MCT-L10	7950348
	WIRE HARNESS	B6	-----	-----	1	32100-MCT-L00	7950330
8	SUB-WIRE, DOOR SWITCH	A6 B6	-----	-----	1	32106-MEF-000	7057003
9	SENSOR ASSY., BANK ANGLE	A6 B6	-----	-----	1	35160-MCT-003	6959928
10	SENSOR, BANK ANGLE	A6 B6	-----	-----	1	35161-MCT-000	6959936
11	COLLAR.....	A6 B6	-----	-----	2	35162-MN5-003	2820736
12	GROMMET.....	A6 B6	-----	-----	2	35163-MN5-003	2820744
13	HORN (HIGH).....	A6 B6	-----	-----	1	38110-MCT-691	6960025
14	RELAY, STARTER (MICRO ISO).....	A6 B6	-----	-----	5	38501-GEE-712	6960058
15	PGM-FI UNIT	A6 B6	-----	-----	1	38770-MCT-681	7054786
16	CUSHION, PGM-FI UNIT	A6 B6	-----	-----	1	38775-MBW-D20	6960074
17	STAY, PGM-FI UNIT	A6 B6	-----	-----	1	50327-MCT-000	6960611

WIRE HARNESS



MCTA-F2900

MCTAF2900

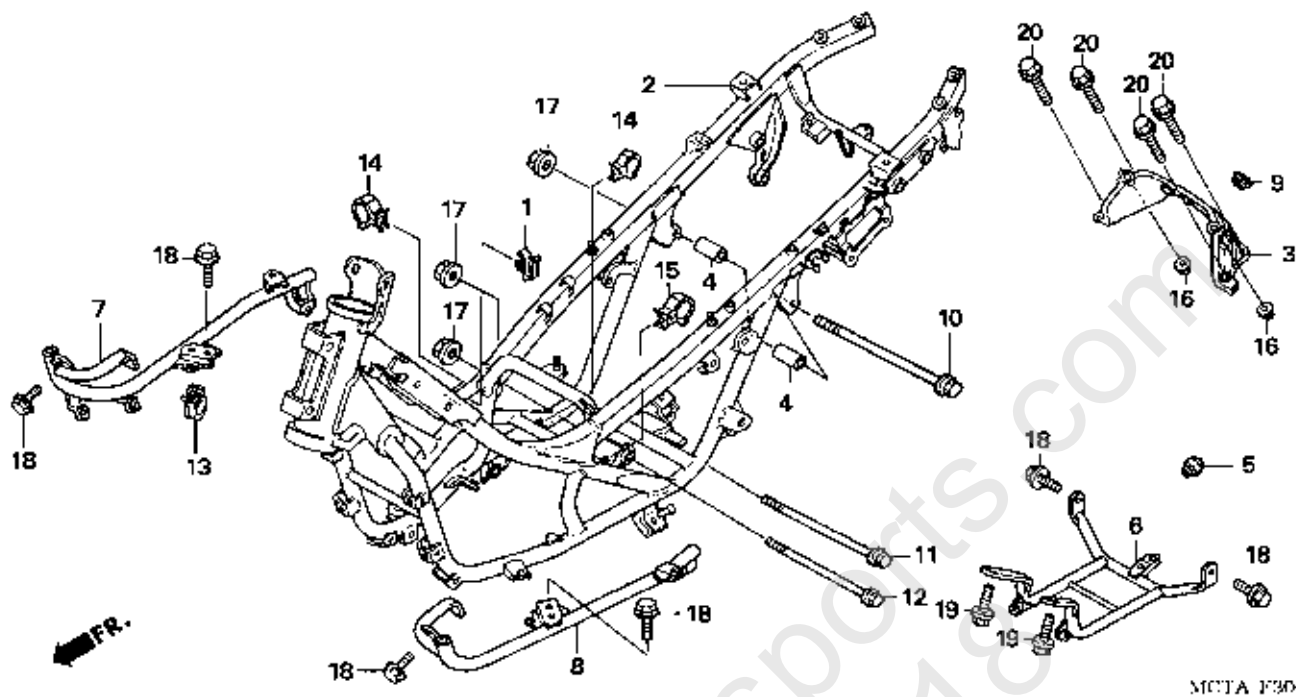
A6=FSC600A'06
B6=FSC600D'06

F-29

Frame
Serial Number

Ref	Description	Model	From	To	QTY	Part Number	H/C
18	BOLT, GROUND (6X16) (SN)	A6 B6	-----	-----	1	90149-SE0-003	2601060
19	BAND, SUCTION HOSE	A6 B6	-----	-----	1	90679-SG9-E01	3522752
20	CLIP, WIRE HARNESS	A6 B6	-----	-----	1	90684-ZA0-601	2539138
21	BOLT, HEX. (6X20)	A6 B6	-----	-----	2	92101-06020-4J	2801207
22	SCREW, PAN (4X20)	A6 B6	-----	-----	2	93500-04020-0H	0347922
23	BOLT, FLANGE (6X12)	A6 B6	-----	-----	2	95701-06012-00	2105799
24	BOLT, FLANGE (6X28)	A6 B6	-----	-----	2	95701-06028-08	2488500
25	BOLT, FLANGE (8X12)	A6 B6	-----	-----	1	95701-08012-08	2647428
26	FUSE F (10A) (MINI)	A6	-----	-----	6	98200-41000	4853420
		B6	-----	-----	5	98200-41000	4853420
27	FUSE F (15A) (MINI)	A6 B6	-----	-----	3	98200-41500	4853438
28	FUSE, BLADE (30A).....	A6	-----	-----	4	98200-43000	5359666
		B6	-----	-----	2	98200-43000	5359666

FRAME



MCTA F3000
MCTAF3000

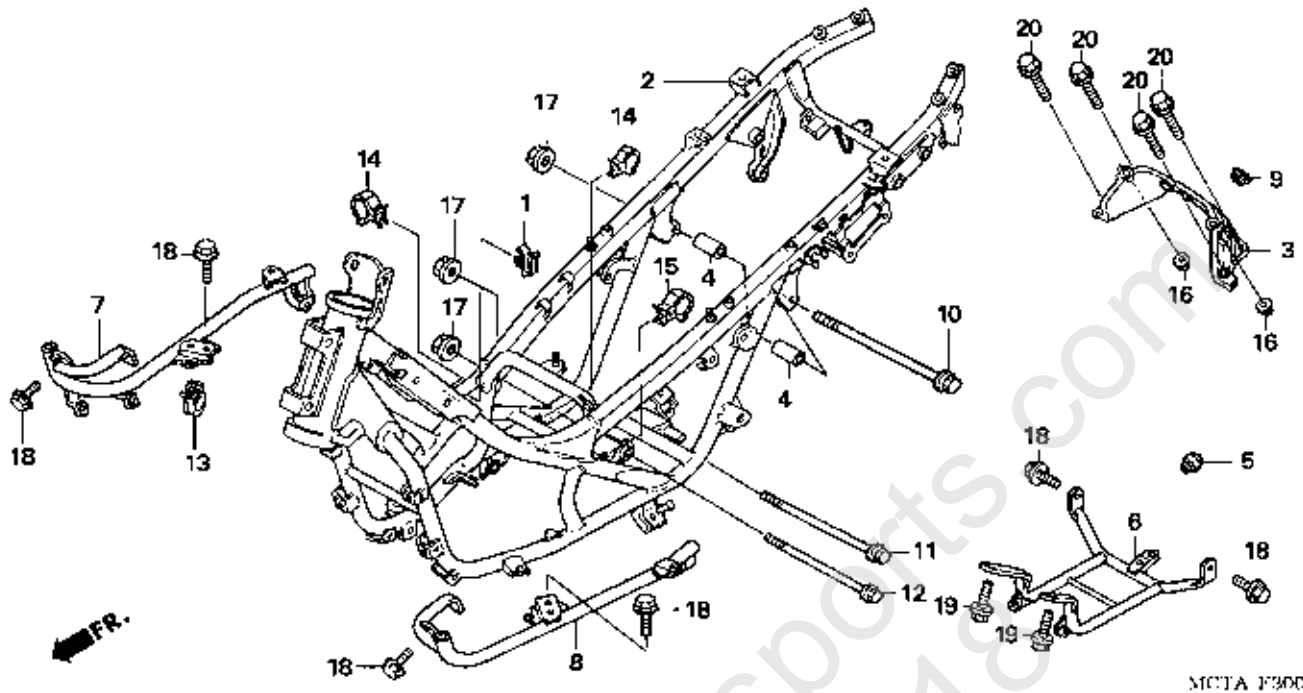
A6=FSC600A'06
B6=FSC600D'06

F-30

Frame
Serial Number

Ref	Description	Model	From	To	QTY	Part Number	H/C
1	CLIP, WIRE HARNESS	A6 B6	-----	-----	1	32161-393-003	0445494
2	FRAME.....	A6 B6	-----	-----	1	50100-MCT-681	7368897
3	FRAME, RR.....	A6 B6	-----	-----	1	50160-MCT-000	6960520
4	COLLAR A, ENGINE MOUNTING	A6 B6	-----	-----	2	50313-MCT-010	7057037
5	RUBBER, STOPPER	A6 B6	-----	-----	1	50352-KM1-000	1934371
6	PIPE (LOWER).....	A6 B6	-----	-----	1	50360-MCT-680	6960652
7	STAY, R. FLOOR.....	A6 B6	-----	-----	1	50610-MCT-020	7396757
8	STAY, L. FLOOR	A6 B6	-----	-----	1	50620-MCT-000	6960785
9	GROMMET, RR. COVER.....	A6 B6	-----	-----	1	83504-GEO-000	1719012
10	BOLT, FLANGE (10X386)	A6 B6	-----	-----	1	90101-MCT-000	6962112
11	BOLT, ENGINE HANGER (10X285)	A6 B6	-----	-----	1	90105-MW0-000	4046462
12	BOLT, FLANGE (10X242)	A6 B6	-----	-----	1	90117-KK0-000	1596287
	BOLT, FLANGE (10X242)	A6 B6	-----	-----	1	90117-KK0-010	2053452
13	CLIP, WIRE HARNESS	A6 B6	-----	-----	1	90684-ZA0-601	2539138
14	CLIP, CABLE (15MM).....	A6 B6	-----	-----	2	90690-GHB-651	2847317
15	CLIP, CABLE (25MM).....	A6 B6	-----	-----	1	90690-GHB-671	2847333
16	NUT, FLANGE (8MM).....	A6 B6	-----	-----	2	94050-08000	0481143
17	NUT, FLANGE (10MM).....	A6 B6	-----	-----	3	94050-10000	0483867

FRAME



MCTA F3000

MCTAF3000

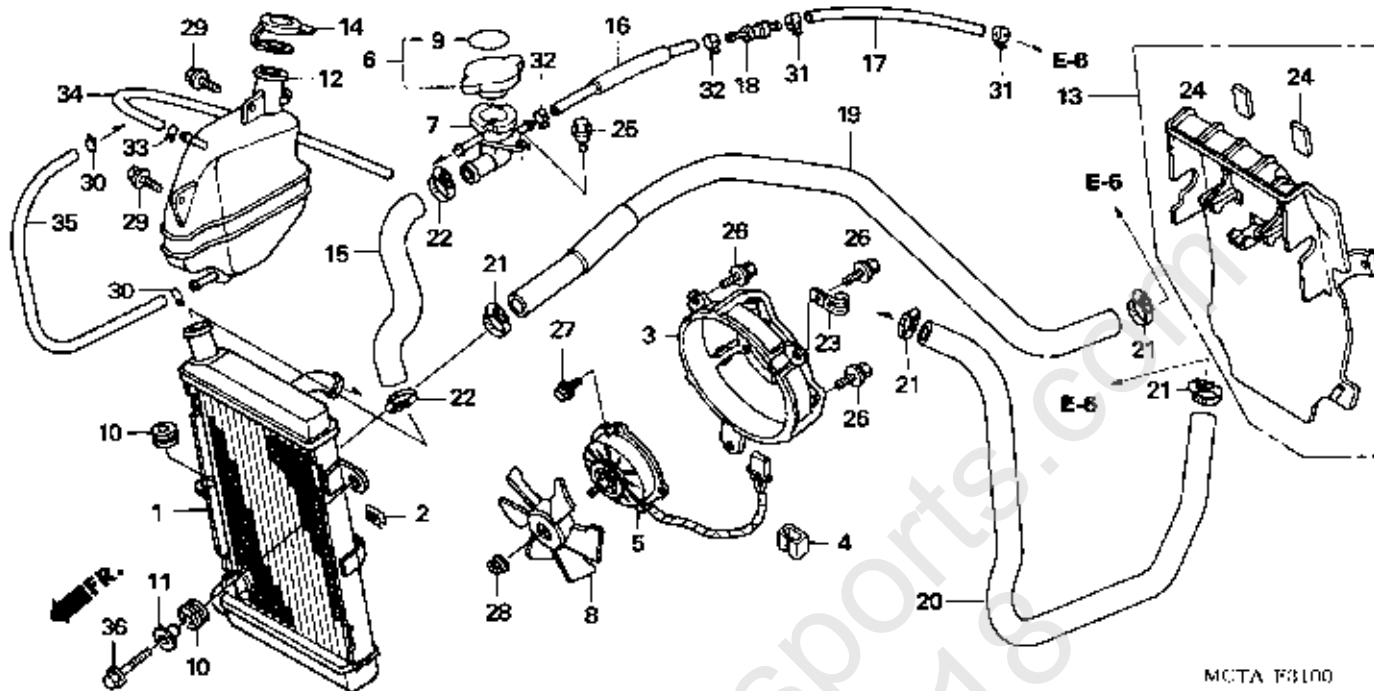
A6=FSC600A'06
B6=FSC600D'06

F-30

Frame
Serial Number

Ref	Description	Model	From	To	QTY	Part Number	H/C
18	BOLT, FLANGE (8X12)	A6 B6	-----	-----	6	95701-08012-00	2581379
19	BOLT, FLANGE (8X16)	A6 B6	-----	-----	2	95701-08016-07	2724003
20	BOLT, FLANGE (8X25)	A6 B6	-----	-----	4	95701-08025-00	2545325
	BOLT, FLANGE (8X25)	A6 B6	-----	-----	4	95801-08025-00	3176054

RADIATOR



A6=FSC600A'06
B6=FSC600D'06

F-31

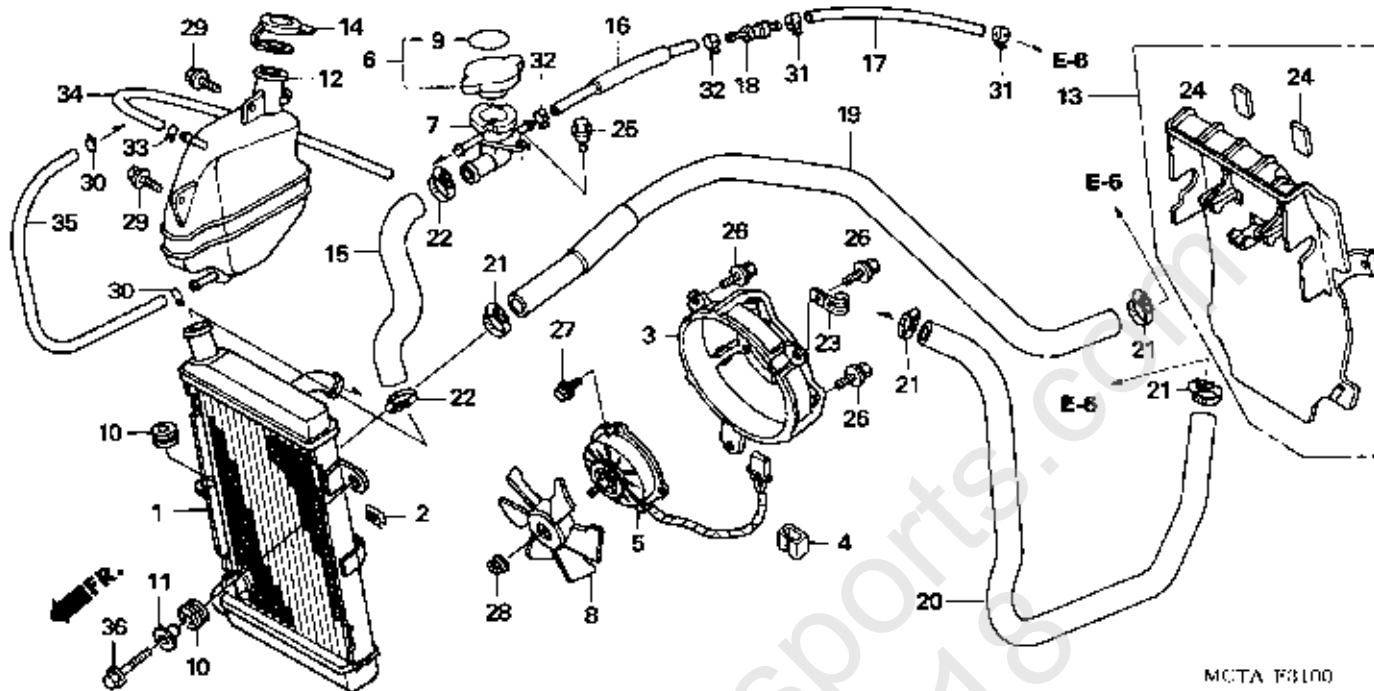
Frame
Serial Number

MCTA F3100

MCTAF3100

Ref	Description	Model	From	To	QTY	Part Number	H/C
1	RADIATOR	A6 B6	-----	-----	1	19010-MCT-941	7396310
2	NUT, SET	A6 B6	-----	-----	2	19014-KEA-003	5213525
3	SHROUD	A6 B6	-----	-----	1	19015-MCT-003	6959092
4	CLIP, HARNESS	A6 B6	-----	-----	1	19017-PK1-004	2853646
5	MOTOR ASSY., FAN	A6 B6	-----	-----	1	19030-MCT-000	6959118
6	CAP, RADIATOR	A6 B6	-----	-----	1	19037-GEE-710	6976112
7	NECK, FILLER	A6 B6	-----	-----	1	19039-KM1-004	1930742
8	FAN, COOLING	A6 B6	-----	-----	1	19040-MF5-751	2003531
9	LABEL, RADIATOR CAP (DENSO)	A6 B6	-----	-----	1	19046-PAA-A00	5434295
10	RUBBER, RADIATOR MOUNTING	A6 B6	-----	-----	3	19051-KA3-830	1906759
11	COLLAR, RADIATOR MOUNTING	A6 B6	-----	-----	2	19052-MM8-000	2897270
12	TANK, RADIATOR RESERVE	A6 B6	-----	-----	1	19101-MCT-000	6959126
13	DUCT, AIR IN.	A6 B6	-----	-----	1	19103-MCT-000	6959134
14	CAP, RESERVE TANK.....	A6 B6	-----	-----	1	19104-MB0-700	1308071
15	HOSE, FILLER	A6 B6	-----	-----	1	19126-MCT-000	6959142
16	TUBE A, AIR.....	A6 B6	-----	-----	1	19128-MCT-940	7396336
17	TUBE B, AIR.....	A6 B6	-----	-----	1	19131-MCT-010	6959191
18	JOINT, JIGGLE VALVE	A6 B6	-----	-----	1	19410-MCT-000	6959258

RADIATOR



MCTA F3100

MCTAF3100

A6=FSC600A'06
B6=FSC600D'06

F-31

Frame
Serial Number

Ref	Description	Model	From	To	QTY	Part Number	H/C
19	HOSE, RADIATOR (LOWER)	A6 B6	-----	-----	1	19501-MEF-010	7056963
20	HOSE, RADIATOR (UPPER)	A6 B6	-----	-----	1	19502-MCT-000	6959274
21	CLAMP, HOSE (28-36MM).....	A6 B6	-----	-----	4	19516-MCT-690	6959308
22	CLAMP, HOSE (24-32).....	A6 B6	-----	-----	2	19516-ML7-691	3991437
23	CLIP, PULSER WIRE	A6 B6	-----	-----	1	32925-958-000	1771013
24	CUSHION, RR. COMBINATION LIGHT	A6 B6	-----	-----	6	80103-GN5-900	6961783
25	BOLT, FLANGE (6MM).....	A6 B6	-----	-----	1	90111-162-000	0811141
26	BOLT-WASHER (6X16)	A6 B6	-----	-----	3	90120-KCR-003	5216163
27	BOLT, FLANGE (5MM).....	A6 B6	-----	-----	3	90196-MBB-003	5365473
28	NUT, SERRATE (5MM)	A6 B6	-----	-----	1	90315-MK3-003	2045912
29	BOLT-WASHER (6X12)	A6 B6	-----	-----	2	93404-06012-00	2871085
30	CLIP, TUBE (B12)	A6 B6	-----	-----	2	95002-02120	0335034
31	CLIP, TUBE	A6 B6	-----	-----	2	95002-41000-08	0660829
32	CLIP, TUBE (D12.5).....	A6 B6	-----	-----	2	95002-41250-08	0665257
33	CLIP, TUBE (C11)	A6 B6	-----	-----	1	95002-70000	0053595
34	BULK HOSE, VACUUM (7X3000) (7X800)	A6 B6	-----	-----	1	95005-70003-30M	2380632
35	BULK HOSE, VACUUM (7.3X1000) (7.3X350)	A6 B6	-----	-----	1	95005-75001-20M	5017660

RADIATOR

A6=FSC600A'06
B6=FSC600D'06

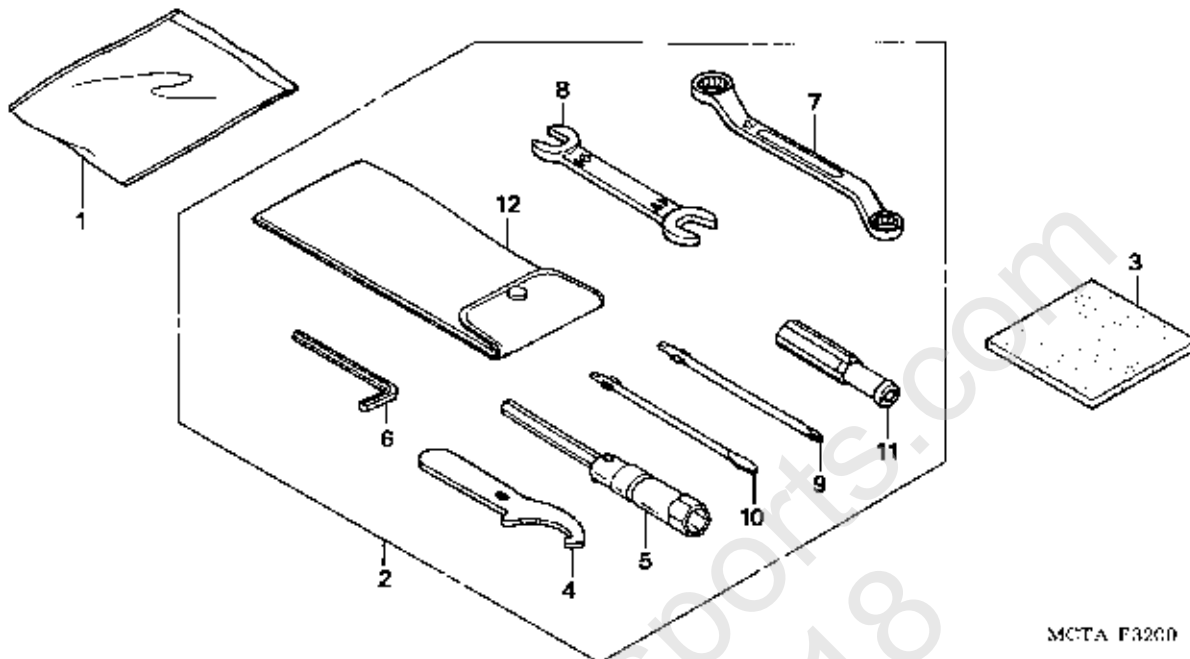
F-31

Frame
Serial Number

Ref	Description	Model	From	To	QTY	Part Number	H/C
36	BOLT, FLANGE (6X22)	A6 B6	-----	-----	2	95701-06022-08	2129682

World of Powersports.com
800-407-7218

TOOLS



MCTA F3200

MCTAF3200

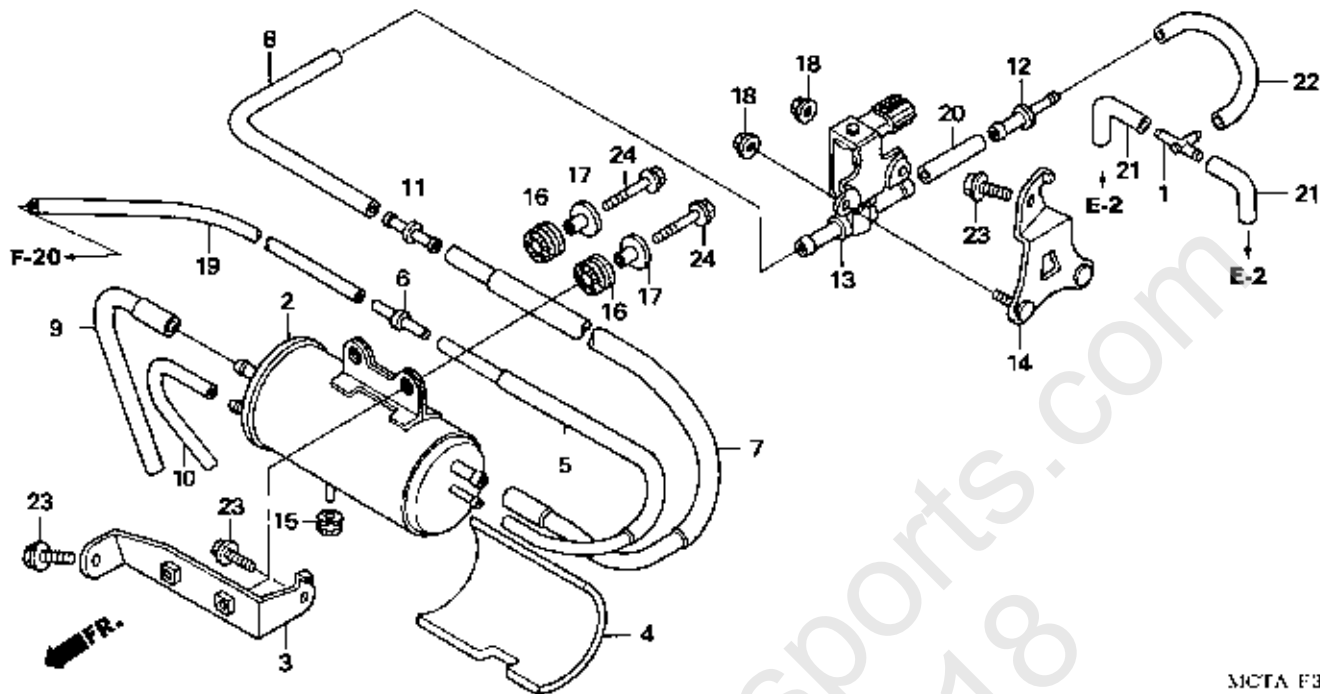
A6=FSC600A'06
B6=FSC600D'06

F-32

Frame
Serial Number

Ref	Description	Model	From	To	QTY	Part Number	H/C
1	BAG, SERVICE BOOK.....	A6 B6	-----	-----	1	77251-342-000	0275297
3	SPONGE, TOOL BAG	A6 B6	-----	-----	1	89015-MCT-L20	8202145
4	WRENCH, PIN	A6 B6	-----	-----	(1)	89215-404-670	0469445
5	WRENCH, PLUG (16.5).....	A6 B6	-----	-----	(1)	89216-MBG-000	5774864
6	WRENCH, HEX. (5MM)	A6 B6	-----	-----	(1)	89221-429-000	0786046
7	WRENCH, EYE (10X12).....	A6 B6	-----	-----	(1)	89227-461-000	0918813
8	WRENCH (14X17) (OPEN END)	A6 B6	-----	-----	(1)	99001-14170	0187567
9	SCREWDRIVER 1, PHILLIPS (NO.2)	A6 B6	-----	-----	1	99003-10000	0052423
10	SCREWDRIVER 3, STRAIGHT SLOT (NO.2).....	A6 B6	-----	-----	(1)	99003-30000	0052449
11	GRIP.....	A6 B6	-----	-----	1	99003-50000	0052464
12	BAG, TOOL	A6 B6	-----	-----	1	89101-ME5-670	1669480
	BAG, TOOL (200MM).....	A6 B6	-----	-----	1	99008-02000	0268185

EVAP CANISTER



MCTA F3300

MCTAF3300

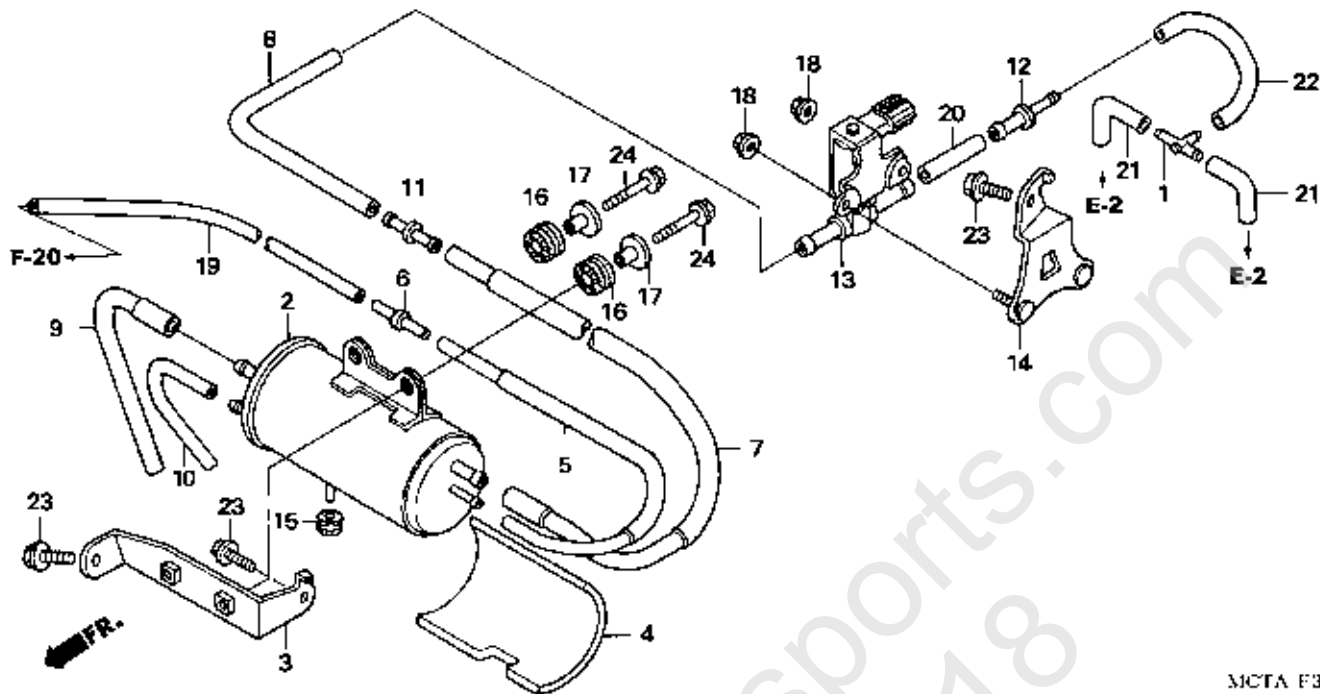
A6=FSC600A'06
B6=FSC600D'06

F-33

Frame
Serial Number

Ref	Description	Model	From	To	QTY	Part Number	H/C
1	JOINT, VACUUM TUBE (A)	A6 B6	-----	-----	1	17201-MG9-000	1523992
2	CANISTER	A6 B6	-----	-----	1	17410-MCT-681	7317167
3	STAY, CANISTER	A6 B6	-----	-----	1	17411-MCT-680	6958821
4	PROTECTOR, HEAT	A6 B6	-----	-----	1	17413-MCT-680	6958839
5	TUBE, CANISTER IN.	A6 B6	-----	-----	1	17414-MCT-680	6958847
6	JOINT, TWO-WAY (3.5).....	A6 B6	-----	-----	1	17414-PC6-660	1730050
7	TUBE, CANISTER OUTLET.....	A6 B6	-----	-----	1	17415-MCT-680	6958854
8	TUBE, P.C.V. IN.	A6 B6	-----	-----	1	17416-MCT-680	6958862
9	TUBE, AIR	A6 B6	-----	-----	1	17417-MCT-681	7317175
10	TUBE, DRAIN.....	A6 B6	-----	-----	1	17418-MCT-682	7317183
11	JOINT, TUBE	A6 B6	-----	-----	1	19102-KT8-000	2541068
12	JOINT, TUBE	A6 B6	-----	-----	1	19126-KM1-010	3225315
13	VALVE, PURGE CONTROL SOLENOID	A6 B6	-----	-----	1	36162-MCT-681	7054760
14	STAY, P.C.V.	A6 B6	-----	-----	1	50173-MCT-680	6960538
15	GROMMET, ENGINE COVER	A6 B6	-----	-----	1	80103-GJ5-000	3376985
16	RUBBER, FUEL TANK SETTING	A6 B6	-----	-----	2	84703-MN5-000	2810232
17	COLLAR (6.2X13)	A6 B6	-----	-----	2	90501-MA3-720	1215987
18	NUT, FLANGE (5MM).....	A6 B6	-----	-----	2	94050-05000	0636951

EVAP CANISTER



MCTA F3300

MCTAF3300

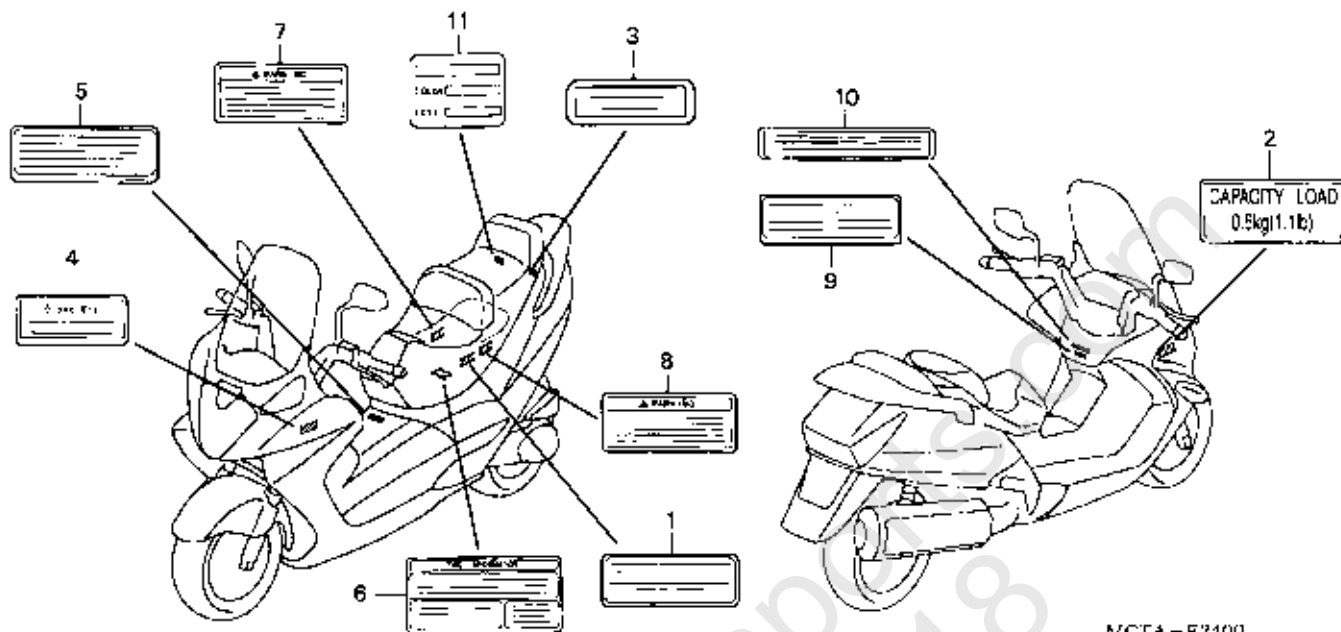
A6=FSC600A'06
B6=FSC600D'06

F-33

Frame
Serial Number

Ref	Description	Model	From	To	QTY	Part Number	H/C
19	BULK HOSE, FUEL (3.5X3000) (3.5X490)	A6 B6	-----	-----	1	95001-35003-60M	4260329
20	BULK HOSE, FUEL (7.5X8000) (7.3X50) ..	A6 B6	-----	-----	1	95001-75008-60M	4260360
21	BULK HOSE, VACUUM (3.5X1000) (3.5X70)	A6 B6	-----	-----	2	95005-35001-20M	5137153
22	BULK HOSE, VACUUM (3.5X1000) (3.5X350)	A6 B6	-----	-----	1	95005-35001-20M	5137153
23	BOLT, FLANGE (6X12)	A6 B6	-----	-----	3	95701-06012-00	2105799
24	BOLT, FLANGE (6X25)	A6 B6	-----	-----	2	95701-06025-00	2105831

LABELS



MCTA-F3400

MCTAF3400

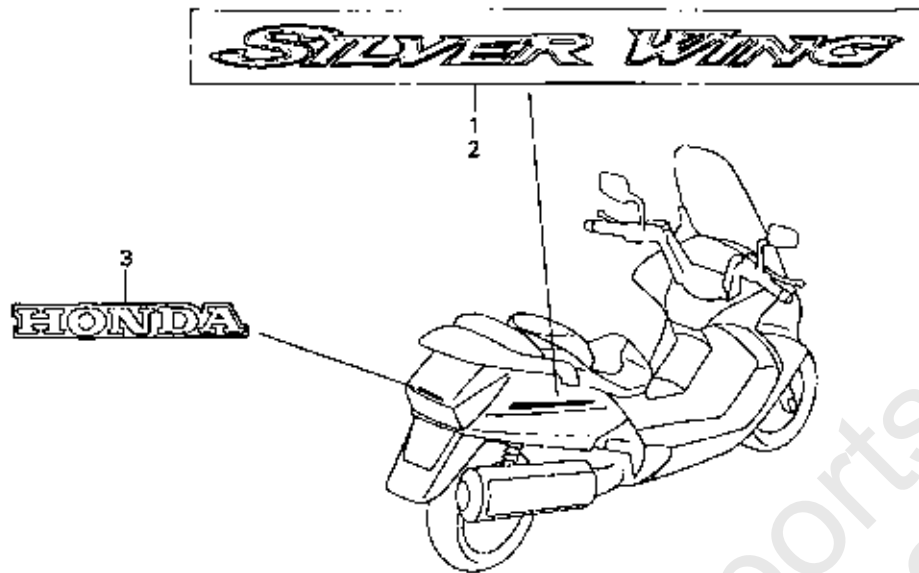
A6=FSC600A'06
B6=FSC600D'06

F-34

Frame
Serial Number

Ref	Description	Model	From	To	QTY	Part Number	H/C
2	LABEL, BRIEF BOX	A6 B6	-----	-----	1	81218-KBG-J00	7057235
3	LABEL, CARGO LIMIT (10KG).....	A6 B6	-----	-----	1	81218-KFG-900	6683957
4	LABEL, GLOVE BOX CAPACITY.....	A6 B6	-----	-----	1	81218-KS4-830	4162061
5	LABEL, EXEMPTION	A6 B6	-----	-----	1	87181-MCT-680	7605082
6	LABEL, TIRE	A6 B6	-----	-----	1	87505-MCT-680	6962021
7	LABEL, LOADING	A6 B6	-----	-----	1	87512-MCA-A00	7084775
9	LABEL, DRIVE	A6 B6	-----	-----	1	87560-MZ0-670	5026463
11	LABEL, COLOR (PB358) (TYPE1).....	A6	-----	-----	1	87565-MCT-L30ZA	8202137
	LABEL, COLOR (PB358) (TYPE1).....	B6	-----	-----	1	87565-MCT-L20ZA	8202129

MARKS



MCTA-F3500

MCTAF3500

A6=FSC600A'06
B6=FSC600D'06

F-35

Frame
Serial Number

Ref	Description	Model	From	To	QTY	Part Number	H/C
1	EMBLEM, R. BODY COVER	A6 B6	-----	-----	1	83402-MCT-690	6874655
2	EMBLEM, L. BODY COVER.....	A6 B6	-----	-----	1	83502-MCT-690	6874663
3	MARK, RR. BODY COVER (TYPE1)	A6 B6	-----	-----	1	83602-MCT-L20ZA	8201907

Part Number

Index

World of Powersports.com
800-407-7218

PART NUMBER INDEX

Part Number	Grid	Page	Part Number	Grid	Page	Part Number	Grid	Page
(0)			13011-MCT-305	1-C14	1-29	14919-KT7-013	1-C3	1-6
06431-MA3-405	1-E1	2-34	13021-MCT-305	1-C14	1-29	14920-KT7-013	1-C3	1-6
	1-E3	2-38	13031-MCT-305	1-C14	1-29	14921-KT7-013	1-C3	1-6
06435-MCT-415	1-E3	2-38	13101-MCT-000	1-C14	1-29	14922-KT7-013	1-C3	1-6
06436-MCT-006	1-E3	2-39	13102-MCT-305	1-C14	1-29	14923-KT7-013	1-C3	1-6
06451-MZ2-405	1-E1	2-34	13103-MCT-305	1-C14	1-29	14924-KT7-013	1-C3	1-6
06455-MCT-006	1-E1	2-34	13111-122-000	1-C7	1-15	14925-KT7-013	1-C3	1-6
06455-MCT-691	1-E1	2-34	13111-GK8-000	1-C7	1-15	14926-KT7-013	1-C3	1-7
			13111-GS7-000	1-C7	1-15	14927-KT7-013	1-C3	1-7
(1)			13111-MBG-000	1-C14	1-29	14928-KT7-013	1-C3	1-7
11010-MCT-941	1-C13	1-27	13205-ME2-000	1-C14	1-29	14929-KT7-013	1-C3	1-7
11011-MCT-941	1-C13	1-27	13210-MCT-000	1-C14	1-29	14930-KT7-013	1-C3	1-7
11100-MCT-010	1-C13	1-27	13213-ME2-000	1-C14	1-29	14931-KT7-013	1-C3	1-7
11110-MCT-941	1-C1	1-3	13214-MCT-003	1-C14	1-29	14932-KT7-013	1-C3	1-7
	1-C13	1-27	13215-MCT-003	1-C14	1-29	14933-KT7-013	1-C3	1-7
11120-MCT-942	1-C13	1-27	13216-MCT-003	1-C14	1-29	14934-KT7-013	1-C3	1-7
11124-MCT-940	1-C13	1-27	13300-MCT-010	1-C14	1-29	14935-KT7-013	1-C3	1-7
11125-MCT-940	1-C13	1-27	13312-MCT-000	1-C13	1-27	14936-KT7-013	1-C3	1-7
11200-MCT-010	1-C13	1-27	13410-MCT-010	1-C15	1-30	14937-KT7-013	1-C3	1-7
11203-KAB-000	1-C9	1-19	13415-MCT-000	1-C15	1-30	14938-KT7-013	1-C3	1-7
	1-E4	2-40	13420-MCT-010	1-C15	1-30	14939-KT7-013	1-C3	1-7
11300-MCT-060	1-C9	1-19	14110-MCT-000	1-C2	1-5	14940-KT7-013	1-C3	1-7
11300-MCT-940	1-C9	1-19	14120-MCT-000	1-C2	1-5	14941-KT7-013	1-C3	1-7
11305-MCT-010	1-C9	1-19	14321-MCT-000	1-C4	1-9	14942-KT7-013	1-C3	1-7
11320-MEF-000	1-E4	2-40	14401-MCT-003	1-C4	1-9	14943-KT7-013	1-C3	1-7
11322-MCT-000	1-E4	2-40	14510-MCT-000	1-C4	1-9	14944-KT7-013	1-C3	1-7
11325-MCT-010	1-C7	1-14	14520-MY5-851	1-C4	1-9	14945-KT7-013	1-C3	1-7
11330-MCT-010	1-C7	1-14	14531-MCT-000	1-C4	1-9	14946-KT7-013	1-C3	1-7
11341-MCT-010	1-C9	1-19	14546-MCT-000	1-C4	1-9	14947-KT7-013	1-C3	1-7
11350-MCT-020	1-C9	1-19	14560-KCW-851	1-C4	1-9	14948-KT7-013	1-C3	1-7
11352-MCT-310	1-C9	1-19	14620-MCT-000	1-C4	1-9	14949-KT7-013	1-C3	1-7
11356-MCT-000	1-C9	1-19	14711-MCT-000	1-C2	1-5	14950-KT7-013	1-C3	1-7
11357-MCT-000	1-C9	1-19	14721-MCT-000	1-C2	1-5	14951-KT7-013	1-C3	1-7
11358-MCT-000	1-C9	1-19	14731-MT4-000	1-C2	1-5	14952-KT7-013	1-C3	1-7
11360-MCT-010	1-C9	1-19	14751-MCT-003	1-C2	1-5	14953-KT7-013	1-C3	1-7
11362-MCT-310	1-C9	1-19	14771-KW3-900	1-C2	1-5	14954-KT7-013	1-C3	1-7
11363-MCT-310	1-C9	1-19	14775-PM3-000	1-C2	1-5	14955-KT7-013	1-C3	1-7
11365-MCT-300	1-C9	1-19	14781-ML0-720	1-C2	1-5	14956-KT7-013	1-C3	1-7
11395-MCT-000	1-C9	1-19	14901-KT7-013	1-C2	1-5	14957-KT7-013	1-C3	1-7
11410-MCT-000	1-C13	1-27	14902-KT7-013	1-C2	1-5	14958-KT7-013	1-C3	1-7
12011-MCT-940	1-C1	1-3	14903-KT7-013	1-C2	1-5	14959-KT7-013	1-C3	1-7
12100-MCT-000	1-C5	1-10	14904-KT7-013	1-C2	1-5	14960-KT7-013	1-C4	1-8
12191-MCT-003	1-C5	1-10	14905-KT7-013	1-C2	1-5	14961-KT7-013	1-C4	1-8
12204-MT4-305	1-C1	1-3	14906-KT7-013	1-C2	1-5	14962-KT7-013	1-C4	1-8
12208-ML0-721	1-C2	1-5	14907-KT7-013	1-C2	1-5	14963-KT7-013	1-C4	1-8
12209-ML0-722	1-C2	1-5	14908-KT7-013	1-C3	1-6	14964-KT7-013	1-C4	1-8
12251-MCT-003	1-C1	1-3	14909-KT7-013	1-C3	1-6	14965-KT7-013	1-C4	1-8
12310-MCT-010	1-C1	1-2	14910-KT7-013	1-C3	1-6	14966-KT7-013	1-C4	1-8
12331-MAT-750	1-C1	1-2	14911-KT7-013	1-C3	1-6	14967-KT7-013	1-C4	1-8
12341-MAT-750	1-C1	1-2	14912-KT7-013	1-C3	1-6	14968-KT7-013	1-C4	1-8
12361-KK0-000	1-C13	1-27	14913-KT7-013	1-C3	1-6	14969-KT7-013	1-C4	1-8
12391-MCT-000	1-C1	1-2	14914-KT7-013	1-C3	1-6	15100-MCT-010	1-C8	1-17
12396-MBG-000	1-C1	1-2	14915-KT7-013	1-C3	1-6	15131-MCT-000	1-C8	1-17
			14916-KT7-013	1-C3	1-6	15134-MV9-670	1-C8	1-17
			14917-KT7-013	1-C3	1-6	15140-MCT-003	1-C8	1-17
			14918-KT7-013	1-C3	1-6	15155-300-000	1-C13	1-27

PART NUMBER INDEX

Part Number	Grid	Page	Part Number	Grid	Page	Part Number	Grid	Page
15220-MCT-010	1-C8	1-17	17411-MCT-680	1-F1	2-67	19104-MB0-700	1-E15	2-63
15410-MCJ-003	1-C8	1-17	17413-MCT-680	1-F1	2-67	19126-KM1-010	1-F1	2-67
15421-107-000	1-C13	1-27	17414-MCT-680	1-F1	2-67	19126-MCT-000	1-E15	2-63
15426-107-000	1-C13	1-27	17414-PC6-660	1-E6	2-44	19127-MCT-000	1-C5	1-11
15650-MCT-000	1-C7	1-14		1-F1	2-67	19128-MCT-940	1-E15	2-63
15700-MCT-013	1-C8	1-17	17415-MCT-680	1-F1	2-67	19129-MCT-000	1-C5	1-11
16016-MCA-013	1-C15	1-31	17416-MCT-680	1-F1	2-67	19130-MCT-000	1-C5	1-11
16029-MCT-003	1-C15	1-31	17417-MCT-681	1-F1	2-67	19131-MCT-010	1-E15	2-63
16046-MCT-003	1-C15	1-31	17418-MCT-682	1-F1	2-67	19200-MEF-305	1-C5	1-11
16075-MCH-003	1-C15	1-31	17450-MCT-000	1-E9	2-50	19220-MCT-000	1-C5	1-11
16119-MCT-003	1-C15	1-31	17507-MCT-000	1-E6	2-44	19226-MEF-J00	1-C5	1-11
16191-MCT-010	1-C5	1-11	17510-MCT-000	1-E6	2-44	19300-MBT-003	1-C5	1-11
16192-MCT-000	1-C5	1-11	17516-HC0-000	1-E6	2-44	19310-MCT-000	1-C5	1-11
16193-MCT-000	1-C15	1-31	17525-KBN-900	1-E6	2-44	19315-MCT-000	1-C5	1-11
16195-MCT-000	1-C15	1-31	17525-MCT-003	1-E6	2-44	19410-MCT-000	1-E15	2-63
16198-MCT-003	1-C15	1-31	17526-MCT-000	1-E6	2-44	19501-MEF-010	1-E16	2-64
16210-MCT-000	1-C1	1-3	17528-MCT-020	1-E6	2-44	19502-MCT-000	1-E16	2-64
16218-MCT-000	1-C1	1-3	17530-MCT-000	1-E6	2-44	19503-MCT-000	1-C5	1-11
16400-MCT-681	1-C15	1-31	17574-MCF-000	1-E6	2-44	19504-MCT-000	1-C5	1-11
16450-MCA-013	1-C15	1-31	17620-MCT-D01	1-E6	2-44	19505-KS6-700	1-C5	1-11
16451-PLC-000	1-C15	1-31	17724-102-700	1-E8	2-49	19516-GAG-003	1-C5	1-11
16610-MCT-003	1-C15	1-31		1-E9	2-50	19516-MCT-690	1-E16	2-64
16700-MCT-641	1-E6	2-44	17910-MCT-771	1-D2	2-4	19516-ML7-691	1-C5	1-11
16710-MCT-013	1-E6	2-44	17920-MCT-771	1-D2	2-4		1-E16	2-64
16711-MCT-000	1-E6	2-44	18150-MCT-L00	1-E9	2-51	19517-ML7-691	1-C6	1-12
16713-MCT-000	1-E6	2-44	18155-MCT-010	1-E9	2-51	19520-MCT-000	1-C6	1-12
16714-MCT-641	1-E6	2-44	18291-MN4-920	1-E9	2-51	19525-MCT-000	1-C6	1-12
16716-MEF-000	1-E6	2-44	18293-GZ5-000	1-E9	2-51	19526-MCT-010	1-C6	1-12
16740-MCT-013	1-C15	1-31	18310-MCT-951	1-E9	2-51	19527-MCT-000	1-C6	1-12
16900-MCH-003	1-E6	2-44	18317-MCT-640	1-E9	2-51	19528-MEF-010	1-C6	1-12
16961-MCT-010	1-C5	1-11	18318-MBV-000	1-E9	2-51	19530-MCT-000	1-C6	1-12
16969-MB1-000	1-C5	1-11	18318-MCT-010	1-E9	2-51			
17110-MCT-680	1-C1	1-3	18319-MCT-940	1-E9	2-51			
17201-MCT-003	1-C15	1-31	18338-MCT-010	1-E9	2-51			
17201-MG9-000	1-C15	1-31	18373-ML7-920	1-E9	2-51			
	1-F1	2-67	18391-ML8-000	1-E9	2-51			
17207-MCT-000	1-E8	2-48	18601-GEE-711	1-C1	1-2	21300-MCT-000	1-C12	1-25
17209-MCT-000	1-E8	2-48	18651-MCT-000	1-E9	2-50	21381-MCT-000	1-C12	1-25
17212-GG2-000	1-E8	2-48	18652-MCT-000	1-E9	2-50	22011-MCT-305	1-C11	1-22
17212-MCT-000	1-E8	2-48	19010-MCT-941	1-E15	2-63	22100-MCT-020	1-C11	1-23
17213-MCT-000	1-E8	2-48	19014-KEA-003	1-E15	2-63	22102-MCT-000	1-C11	1-22
17214-MCT-000	1-E8	2-48	19015-MCT-003	1-E15	2-63	22104-MCT-000	1-C11	1-22
17215-MCT-000	1-E8	2-48	19017-PK1-004	1-E15	2-63	22123-MCT-000	1-C11	1-22
17216-MCT-000	1-E8	2-48	19020-MCT-680	1-E6	2-45	22130-MCT-000	1-C11	1-22
17222-MN4-405	1-E8	2-48	19030-MCT-000	1-E15	2-63	22131-MCT-010	1-C11	1-22
17223-MAT-300	1-E8	2-48	19037-GEE-710	1-E15	2-63	22231-HE0-000	1-C11	1-23
17227-MCT-000	1-E8	2-48	19038-ME9-000	1-D10	2-21	22232-HE0-000	1-C11	1-23
17230-MCT-000	1-E8	2-48	19039-KM1-004	1-E15	2-63	22350-MCT-000	1-C11	1-23
17234-KCW-871	1-E8	2-48	19040-MF5-751	1-E15	2-63	22401-MCT-000	1-C11	1-23
17235-MCT-770	1-E8	2-48	19046-PAA-A00	1-E15	2-63	22535-MCT-315	1-C11	1-23
17251-MCT-000	1-E8	2-48	19051-KA3-830	1-E15	2-63	22804-GB2-000	1-C11	1-23
17255-MCT-000	1-E8	2-48	19051-KA4-000	1-D10	2-21	23100-MCT-003	1-C11	1-23
17361-MCT-000	1-E8	2-48	19052-MN8-000	1-E15	2-63	23205-MCT-305	1-C11	1-23
17369-KB4-670	1-E8	2-48	19101-MCT-000	1-E15	2-63	23221-MCT-315	1-C11	1-23
17370-419-700	1-E8	2-49	19102-KT8-000	1-F1	2-67	23233-MCT-000	1-C11	1-23
17410-MCT-681	1-F1	2-67	19103-MCT-000	1-E15	2-63	23236-MCT-000	1-C11	1-23
						23237-MCT-000	1-C11	1-23
						23238-MCT-000	1-C11	1-23

(2)

PART NUMBER INDEX

Part Number	Grid	Page	Part Number	Grid	Page	Part Number	Grid	Page
23411-MCT-000	1-C12	1-25	32962-GS9-000	1-C8	1-16	37100-MCT-L01	1-D1	2-3
23421-MCT-000	1-C12	1-25	33100-MCT-003	1-D1	2-2	37100-MCT-L11	1-D1	2-3
23422-MCT-000	1-C12	1-25	33102-MCT-003	1-D1	2-2	37110-MCT-L01	1-D1	2-3
23431-MCT-000	1-C12	1-25	33113-MAT-611	1-D1	2-2	37110-MCT-L11	1-D1	2-3
23432-MCT-000	1-C12	1-25	33126-SS0-003	1-D1	2-2	37211-MCT-691	1-D1	2-3
23929-PX4-700	1-C8	1-17	33130-MAT-611	1-D1	2-2	37212-MCT-691	1-D1	2-3
28101-MCT-000	1-C7	1-15	33301-S04-004	1-E12	2-56	37700-GET-731	1-C10	1-20
28102-ME9-000	1-C7	1-15		1-E12	2-57	37701-GET-731	1-C10	1-20
28110-MCT-010	1-C7	1-15	33301-SA0-741	1-E12	2-57	37830-MCF-003	1-C15	1-31
28125-MCT-003	1-C7	1-15	33303-S04-003	1-E12	2-56	37870-MBG-003	1-C6	1-12
28126-MCT-003	1-C7	1-15		1-E12	2-57	37880-P05-A00	1-E8	2-49
28131-MCT-000	1-C7	1-15	33400-MCT-003	1-E12	2-56	38110-MCT-691	1-E13	2-59
28333-300-000	1-D14	2-28	33410-MCT-003	1-E12	2-56	38501-GEE-712	1-E13	2-59
			33450-MCT-003	1-E12	2-56	38510-MCT-911	1-E4	2-40
			33460-MCT-003	1-E12	2-56	38515-MCT-910	1-E2	2-36
(3)			33700-MCT-003	1-E12	2-57	38520-MCT-911	1-E2	2-36
30291-MCT-000	1-C8	1-16	33702-KFG-003	1-E12	2-57	38770-MCT-681	1-E13	2-59
30300-MCT-000	1-C8	1-16	33706-MCT-691	1-E12	2-57	38775-MBW-D20	1-E13	2-59
30510-MCC-003	1-E13	2-59	33709-KAB-003	1-E12	2-57			
30520-ML7-000	1-E13	2-59	33710-MCT-003	1-E12	2-57	(4)		
30564-ZE8-003	1-E6	2-45	33711-MCT-691	1-E12	2-57	42311-MCT-910	1-E4	2-40
30700-KY2-701	1-E13	2-59	33720-GZ9-003	1-E12	2-57	42312-MCT-000	1-E4	2-40
30731-MCT-000	1-E13	2-59	33741-148-872	1-E12	2-57	42515-MCT-910	1-E4	2-40
30732-MCT-000	1-E13	2-59	33741-HB9-641	1-E12	2-57	42650-MCT-010ZA	1-E4	2-40
31110-MEF-003	1-C8	1-16	33741-MS6-921	1-E12	2-57	42650-MCT-910ZA	1-E4	2-40
31120-MEF-003	1-C8	1-16	33742-HB9-641	1-D9	2-19	42704-MCF-D60	1-E2	2-36
31200-MCT-003	1-C9	1-18		1-D10	2-20		1-E4	2-40
31201-KS5-901	1-C9	1-18	34260-MCT-690	1-D15	2-30	42705-MCF-D60	1-E2	2-36
31204-KS5-901	1-C9	1-18	34261-MCT-690	1-D15	2-30		1-E4	2-40
31205-MN4-008	1-C9	1-18	34262-SM4-003	1-D15	2-30	42706-MCF-D60	1-E2	2-36
31206-MN4-008	1-C9	1-18	34295-SA5-003	1-D15	2-30		1-E4	2-40
31207-KS5-901	1-C9	1-18	34901-MAT-611	1-D1	2-2	42711-MCT-023	1-E4	2-40
31500-MCF-641	1-E7	2-46	34906-MBB-611	1-E12	2-57	42711-MCT-025	1-E4	2-40
31500-MCF-643	1-E7	2-46	35010-MCT-681	1-D8	2-16	42753-GM9-743	1-E2	2-36
31500-MCF-672	1-E7	2-46	35013-MCT-682	1-D2	2-4	42753-KJ9-003	1-E4	2-40
31600-MCT-771	1-E13	2-59	35020-MCT-680	1-D2	2-4	42753-KJ9-005	1-E4	2-41
32100-MCT-L00	1-E13	2-59	35100-MCT-681	1-D8	2-16	42753-ML7-003	1-E2	2-36
32100-MCT-L10	1-E13	2-59	35101-MCT-691	1-D8	2-16	42754-MN5-000	1-E4	2-41
32102-MCT-003	1-D1	2-2	35121-MAS-G01	1-D8	2-16	43108-MCT-006	1-E3	2-38
32104-MCT-000	1-C9	1-19	35125-MAS-G01	1-D8	2-16	43112-MCT-911	1-E3	2-38
32106-MEF-000	1-E13	2-59	35160-MCT-003	1-E13	2-59	43150-MCT-911	1-E3	2-38
32111-MCT-000	1-C9	1-19	35161-MCT-000	1-E13	2-59	43157-MCT-000	1-D5	2-11
32111-MCT-910	1-C9	1-19	35162-MN5-003	1-E13	2-59		1-D6	2-13
32112-MCT-000	1-C10	1-20	35163-MN5-003	1-E13	2-59	43158-MCT-000	1-D5	2-11
32112-MCT-910	1-E4	2-40	35330-MB0-003	1-E5	2-42		1-D6	2-13
32161-393-003	1-E14	2-61	35330-MK5-003	1-D7	2-15	43159-KFG-000	1-D5	2-11
32401-MCT-000	1-E7	2-46	35340-KFG-000	1-D4	2-9		1-D6	2-13
32406-KAZ-000	1-E7	2-46	35340-MM5-600	1-D2	2-5	43159-MCT-000	1-D5	2-11
32410-MCT-000	1-E7	2-46		1-D3	2-7		1-D6	2-13
32411-230-000	1-E7	2-46	35500-MJ4-024	1-C13	1-27	43190-MCT-911	1-E3	2-38
32411-253-000	1-E7	2-46	35700-MCT-305	1-E10	2-53	43208-MCT-006	1-E3	2-39
32603-MCT-940	1-E7	2-46	35850-MR5-007	1-E7	2-46	43215-MCT-006	1-E3	2-39
32610-MCT-940	1-E7	2-46	35856-KBH-000	1-E7	2-46	43250-MCT-006	1-E3	2-39
32920-MN5-003	1-D1	2-2	36140-MCT-003	1-C1	1-3	43251-MCT-911	1-E4	2-41
			36162-MCT-681	1-F1	2-67	43290-MCT-006	1-E3	2-39
32925-958-000	1-E12	2-57	36172-MN5-003	1-E9	2-50			
	1-E16	2-64						

PART NUMBER INDEX

Part Number	Grid	Page	Part Number	Grid	Page	Part Number	Grid	Page
43311-MCT-003	1-D4	2-9	45131-166-016	1-E1	2-34	47105-MCT-003	1-D7	2-15
43311-MCT-911	1-D4	2-9		1-E3	2-38	47160-MCT-000	1-D7	2-15
43312-MCT-003	1-D6	2-13	45131-GZ0-006	1-E3	2-39			
43312-MCT-910	1-D4	2-9	45131-MA3-006	1-E3	2-38	(5)		
43313-MCT-000	1-D6	2-13	45131-MCT-D00	1-D3	2-7			
43313-MCT-910	1-D5	2-11	45131-ML7-921	1-E1	2-34	50100-MCT-681	1-E14	2-61
43314-MCT-003	1-D5	2-11	45132-166-016	1-E1	2-34	50160-MCT-000	1-E14	2-61
	1-D6	2-13		1-E3	2-38	50173-MCT-680	1-F1	2-67
43314-MCT-910	1-D5	2-11		1-E3	2-39	50203-MCT-000	1-C1	1-3
43315-MCT-000	1-D5	2-11	45133-166-016	1-E3	2-39	50203-MCT-680	1-C13	1-27
	1-D6	2-13	45133-MA3-006	1-E1	2-34	50232-MCT-680	1-C6	1-12
43315-MCT-911	1-D5	2-11		1-E3	2-38	50290-MBL-610	1-E5	2-42
43316-MCT-003	1-D5	2-11	45135-KPB-000	1-D3	2-7	50306-GN5-900	1-D9	2-18
	1-D6	2-13	45135-MCT-910	1-D2	2-5	50310-MCT-940	1-D10	2-21
43316-MCT-910	1-D5	2-11	45150-MCT-016	1-E1	2-34	50310-MEF-000	1-D10	2-21
43317-MCT-000	1-D5	2-11	45150-MCT-911	1-E1	2-34	50313-MCT-010	1-E14	2-61
	1-D6	2-13	45190-KFG-641	1-E1	2-35	50324-MCT-000	1-E7	2-46
43318-MCT-003	1-D5	2-11	45190-MCT-911	1-E1	2-35	50327-MCT-000	1-E13	2-59
	1-D6	2-13	45203-MCC-006	1-E1	2-35	50328-MCT-000	1-E7	2-46
43321-MBG-003	1-D5	2-11	45203-MG3-016	1-E3	2-38	50329-MCT-000	1-E7	2-46
43321-MY4-003	1-D5	2-11	45215-MAJ-G41	1-E1	2-35	50330-MCT-000	1-E7	2-46
	1-D6	2-13	45215-ML7-922	1-E3	2-38	50348-HA7-670	1-D10	2-21
43352-568-003	1-E1	2-34	45216-166-006	1-E3	2-39	50352-KM1-000	1-E14	2-61
	1-E3	2-38	45351-MCT-003	1-E2	2-37	50360-MCT-680	1-E14	2-61
43353-461-771	1-E1	2-34	45351-MCT-911	1-E2	2-36	50365-MCT-000	1-D13	2-26
	1-E3	2-38	45466-329-000	1-D7	2-15	50410-MCT-000	1-D10	2-21
43362-KPB-006	1-E3	2-39	45504-410-003	1-D2	2-5	50500-MCT-680	1-E10	2-53
43450-MCT-000	1-D7	2-15		1-D3	2-7	50502-KAB-000	1-E10	2-53
43455-MCT-000	1-D7	2-15		1-D4	2-9	50503-KAB-000	1-E10	2-53
43456-KPB-000	1-D7	2-15	45506-KA3-731	1-D2	2-5	50503-MA6-010	1-E10	2-53
43460-MCT-000	1-D7	2-15		1-D3	2-7	50505-GA7-730	1-D7	2-15
43470-MCT-000	1-D7	2-15	45506-KA3-831	1-D2	2-5	50505-MCT-770	1-E10	2-53
43510-MCT-006	1-D4	2-9		1-D3	2-7	50506-MCT-770	1-E10	2-53
44301-MCT-000	1-E2	2-36	45510-MCT-006	1-D2	2-5	50513-GBL-000	1-E5	2-42
44311-MCT-000	1-E2	2-36		1-D3	2-7	50520-MT3-601	1-E10	2-53
44515-MCT-910	1-E2	2-36	45512-MA6-006	1-D2	2-5	50524-MT3-601	1-E10	2-53
44620-MZ2-A21	1-E2	2-36		1-D3	2-7	50530-MCT-000	1-E10	2-53
44650-MCT-030ZA	1-E2	2-36		1-D4	2-9	50535-429-000	1-E10	2-53
44650-MCT-910ZA	1-E2	2-36	45513-MM5-016	1-D2	2-5	50603-MCT-000	1-D14	2-28
44711-MCT-013	1-E2	2-36		1-D3	2-7	50607-KK6-000	1-E9	2-51
44711-MCT-015	1-E2	2-36		1-D4	2-9	50610-MCT-020	1-E14	2-61
45107-MCT-006	1-E1	2-34	45517-166-006	1-D2	2-5	50611-MCT-681ZH	1-D13	2-26
45107-ML4-006	1-E3	2-38		1-D3	2-7	50617-MCT-000	1-D14	2-28
45108-MCT-006	1-E1	2-34		1-D4	2-9	50618-MCT-000	1-D14	2-28
45111-MAJ-G41	1-E1	2-34	45518-MM5-006	1-D2	2-5	50620-MCT-000	1-E14	2-61
45111-MCT-006	1-E3	2-39		1-D3	2-7	50621-MCT-020	1-D13	2-26
45112-MCT-911	1-E1	2-34		1-D4	2-9	50652-MCT-000ZB	1-D14	2-28
45112-MZ2-006	1-E1	2-34	45520-MM5-006	1-D2	2-5	50661-MCT-000ZH	1-D13	2-26
45117-MCT-006	1-E1	2-34		1-D3	2-7	50663-MCT-770ZC	1-D14	2-28
45125-MCT-003	1-D3	2-7		1-D4	2-9	50664-MCT-000	1-D14	2-28
45125-MCT-911	1-D2	2-5	45530-471-831	1-D4	2-9	50723-MCT-000	1-D14	2-28
45126-MCT-910	1-D2	2-5	45530-MN9-305	1-D2	2-5	50724-MCT-000	1-D14	2-28
45127-KFG-000	1-D3	2-7		1-D3	2-7	50752-MCT-000ZB	1-D14	2-28
45127-MCT-910	1-D2	2-5	46184-611-000	1-E3	2-39	50763-MCT-000ZA	1-D14	2-28
45128-MCT-911	1-D2	2-5	46300-MCT-016	1-D6	2-13	50764-MCT-000	1-D14	2-28
45130-MCT-D10	1-D2	2-5	46300-MCT-912	1-D5	2-11	51400-MCT-003	1-D16	2-32

PART NUMBER INDEX

Part Number	Grid	Page	Part Number	Grid	Page	Part Number	Grid	Page
51400-MCT-911ZA	1-D16	2-32	61101-MCT-650	1-D9	2-19	77114-MCT-000	1-E5	2-42
51401-MCT-003	1-D16	2-32	61101-MCT-680	1-D10	2-20	77115-MCT-000	1-E5	2-42
51402-MCT-003	1-D16	2-32	61102-MCT-650	1-D9	2-19	77200-MCT-640	1-E5	2-42
51404-MBA-003	1-D16	2-32	61102-MCT-680	1-D10	2-20	77210-MCT-640	1-E5	2-42
51410-MCT-003	1-D16	2-32	61103-MCT-940ZM	1-D9	2-19	77220-MEF-000	1-E5	2-42
51411-MBA-003	1-D16	2-32	61104-MCT-940	1-D9	2-19	77227-KPB-000	1-E5	2-42
51412-KA4-004	1-D16	2-32	61304-397-830	1-D8	2-16	77230-MCT-000	1-E5	2-42
51415-MCT-003	1-D16	2-32	61315-958-680	1-D10	2-21	77235-KPB-000	1-D12	2-25
51421-MCT-003	1-D16	2-32	64105-MCT-010	1-D10	2-21	77236-GBL-000	1-E5	2-42
51421-MCT-911ZB	1-D16	2-32	64228-MCT-000	1-D12	2-24	77239-MCT-007	1-E5	2-42
51424-MCT-003	1-D16	2-32	64250-MCT-020	1-D12	2-24	77240-MCT-010	1-E5	2-42
51431-MCT-003	1-D16	2-32	64253-MCT-640	1-D12	2-24	77241-MCT-010	1-E5	2-42
51433-MCT-003	1-D16	2-32	64301-MCT-020ZS	1-D10	2-21	77242-MCT-000	1-E5	2-42
51437-MCT-003	1-D16	2-32	64303-MCT-000	1-D10	2-21	77244-MCT-000	1-E5	2-42
51440-MCT-003	1-D16	2-32	64304-MCT-940	1-D10	2-21	77250-MCT-010	1-E5	2-43
51447-KA4-004	1-D16	2-32	64306-MCT-000	1-D12	2-24	77251-342-000	1-F1	2-66
51450-MCT-003	1-D16	2-33	64311-MCT-680ZG	1-D12	2-24	77310-MCT-000ZA	1-E5	2-43
51490-MCT-003	1-D16	2-33	64313-MCT-000	1-D10	2-21	77315-MCT-000ZA	1-E5	2-43
51500-MCT-003	1-D16	2-33	64314-MCT-000	1-D12	2-24	77401-MCT-020	1-E5	2-43
51500-MCT-911ZA	1-D16	2-33	64318-MCT-831	1-D12	2-24			
51521-MCT-003	1-D16	2-33	64319-MCT-831	1-D12	2-24			
51521-MCT-911ZB	1-D16	2-33	64320-MCT-000	1-D13	2-26			
52000-MCT-910	1-E4	2-41	64321-MCT-000	1-D13	2-26			
52182-MEF-000	1-E4	2-41	64322-MCT-000	1-D13	2-26			
52400-MCT-003	1-E11	2-55	64323-MCT-000	1-D10	2-21			
52442-KA3-731	1-D16	2-33	64325-MCT-000	1-D13	2-26			
52489-MJ1-004	1-E11	2-55	64326-MCT-000	1-D13	2-26			
53100-MEF-000	1-D8	2-16	64331-MCT-000	1-D12	2-24			
53104-KY6-010	1-D8	2-16	64340-MCT-003	1-D13	2-26			
53110-MCT-720	1-D8	2-16	64351-MCT-000	1-D10	2-21			
53111-HC3-000	1-D8	2-16	64361-MCT-000	1-D10	2-21			
53113-MCT-010	1-D9	2-18	64366-MCT-000	1-D12	2-24			
53121-HC3-000	1-D8	2-16	64367-MCT-000	1-D12	2-24			
53130-HB3-770	1-D8	2-16	64371-MCT-000	1-D10	2-21			
53140-KPB-000	1-D2	2-4	64406-MCT-020	1-D12	2-24			
53165-MY9-890	1-D2	2-4	64451-MCT-010	1-D13	2-26			
53166-MY9-890	1-D2	2-4	64460-MCT-692ZL	1-D12	2-24			
53175-ML5-006	1-D3	2-6	64462-MCT-000	1-D13	2-26			
	1-D3	2-7	64463-MCT-000	1-D12	2-24			
53178-MCT-006	1-D4	2-9	64464-MCT-000	1-D12	2-24			
53213-MB4-771	1-D9	2-18	64465-MCT-010	1-D13	2-26			
53214-MR7-003	1-D9	2-18	64466-MCT-640	1-D12	2-24			
53219-MCT-000	1-D9	2-18	64467-MCT-690ZA	1-D12	2-25			
53220-422-000	1-D9	2-18	64471-MCT-692ZL	1-D12	2-25			
53250-MCT-691	1-D8	2-16	64472-MCT-000	1-D12	2-25			
53255-KPB-000	1-D8	2-16	67101-MCT-680	1-D10	2-21			
53261-MCT-000	1-D8	2-16	67111-MCT-030ZS	1-D11	2-22			
53271-MCT-000	1-D8	2-16	67112-MCT-000	1-D11	2-22			
53281-MCT-680	1-D8	2-16	67113-MCT-940	1-D11	2-22			
57101-SDA-003	1-D3	2-6						
57103-SDA-003	1-D3	2-6						
57110-MCT-912	1-D3	2-6						
			(7)					
			70529-657-670	1-D12	2-25			
			75581-GN8-920	1-E5	2-42			
			75581-MCT-000	1-D12	2-25			
			77110-MCT-010	1-E5	2-42			
(6)								
61100-MCT-000ZQ	1-D10	2-20						
						(8)		
						80100-MCT-000	1-E12	2-57
						80103-GJ5-000	1-F1	2-67
						80103-GN5-900	1-E16	2-64
						80103-MG2-000	1-E9	2-51
						80104-MCT-000	1-D15	2-30
						80105-061-000	1-C10	1-20
						80108-061-010	1-C10	1-20
						80151-KGB-610	1-D9	2-19
						81218-KBG-J00	1-F2	2-69
						81218-KFG-900	1-F2	2-69
						81218-KS4-830	1-F2	2-69
						81251-MCT-030	1-D15	2-30
						81261-MEF-000	1-D15	2-30
						81271-MCT-000	1-D15	2-30
						81290-MCT-000	1-D15	2-30
						81292-MCT-000	1-D15	2-30
						81296-MCT-770	1-D15	2-30
						81297-MCT-000	1-D15	2-30
						83400-MCT-691ZS	1-D14	2-28
						83402-MCT-690	1-F3	2-70
						83500-MCT-691ZS	1-D14	2-28
						83502-MCT-690	1-F3	2-70
						83504-GE0-000	1-E14	2-61
						83507-KV3-830	1-D12	2-25
						83551-GE2-000	1-D14	2-29
						83590-MCT-003	1-E5	2-43
						83600-MCT-L20ZA	1-D14	2-29
						83602-MCT-L20ZA	1-F3	2-70
						83611-MCT-000ZW	1-D14	2-29
						83618-307-000	1-C13	1-27
						84701-MCT-C00	1-E12	2-57
						84702-MF2-670	1-D14	2-29
						84703-MN5-000	1-F1	2-67
						86150-KPG-901	1-D8	2-16

PART NUMBER INDEX

Part Number	Grid	Page	Part Number	Grid	Page	Part Number	Grid	Page
87181-MCT-680	1-F2	2-69	90105-MW0-000	1-E14	2-61	90180-MCT-006	1-E3	2-39
87505-MCT-680	1-F2	2-69	90106-KCZ-000	1-D8	2-17	90181-MCT-000	1-D14	2-29
87512-MCA-A00	1-F2	2-69	90106-MCT-940	1-D9	2-19	90186-GBC-000	1-D15	2-30
87560-MZ0-670	1-F2	2-69	90106-MN9-000	1-D1	2-2	90196-MBB-003	1-E16	2-64
87565-MCT-L20ZA	1-F2	2-69	90107-MBG-000	1-D8	2-17	90201-415-000	1-D3	2-6
87565-MCT-L30ZA	1-F2	2-69	90107-MCT-000	1-E5	2-43		1-D4	2-8
88210-MCT-013	1-D2	2-4	90107-MCT-771	1-D8	2-17		1-D4	2-9
88220-MCT-013	1-D2	2-4	90107-MCT-941	1-D9	2-19	90201-PD1-000	1-E6	2-45
89015-MCT-L20	1-F1	2-66	90108-MB2-000	1-E9	2-51	90203-MF9-710	1-E10	2-53
89101-ME5-670	1-F1	2-66	90108-MCT-000	1-E4	2-41	90301-MG3-000	1-D9	2-19
89215-404-670	1-F1	2-66	90108-MK6-670	1-E10	2-53		1-D10	2-20
89216-MBG-000	1-F1	2-66	90109-KW3-000	1-D12	2-25		1-E13	2-58
89221-429-000	1-F1	2-66	90109-MCT-940	1-E4	2-41	90301-MG8-000	1-E10	2-52
89227-461-000	1-F1	2-66	90110-MCH-000	1-E6	2-45		1-E13	2-58
			90110-MCT-000	1-E11	2-55	90302-KPB-000	1-D8	2-17
(9)			90111-162-000	1-D15	2-30		1-D12	2-25
				1-E8	2-49	90302-SA4-003	1-D11	2-22
				1-E12	2-57		1-D12	2-25
90002-MY5-850	1-C1	1-2		1-E16	2-64		1-D13	2-26
90004-GHB-650	1-C1	1-3	90111-KW3-003	1-D11	2-22		1-E7	2-47
90004-GHB-710	1-C1	1-3	90111-MAZ-000	1-E6	2-45	90302-SH3-003	1-E5	2-43
90004-GHB-840	1-C1	1-3	90111-MR5-000	1-E7	2-46	90303-428-900	1-E10	2-53
90005-GHB-710	1-C10	1-20	90112-MBS-000	1-E4	2-41	90303-HA0-680	1-D10	2-20
90007-MCT-000	1-C1	1-3	90112-MCT-000	1-D11	2-22	90304-438-000	1-E10	2-52
90008-PP4-E02	1-E6	2-45	90113-KPB-000	1-E5	2-43	90304-GA6-003	1-D8	2-17
90009-PP4-E01	1-E6	2-45	90114-KPB-750	1-E9	2-51	90305-GEE-710	1-D15	2-30
90010-HB9-000	1-E6	2-45	90114-MA5-671	1-D3	2-6		1-E7	2-47
90010-MAY-000	1-C7	1-15		1-D3	2-7		1-E13	2-58
90010-MCT-000	1-C7	1-14		1-D4	2-9	90305-GK8-000	1-E13	2-58
	1-C10	1-20	90116-KK0-004	1-D16	2-33	90305-MB4-003	1-E4	2-41
90012-ZE6-000	1-E9	2-51	90117-KK0-000	1-E14	2-61	90305-ML7-000	1-E2	2-37
90017-MA6-000	1-C1	1-3	90117-KK0-010	1-E14	2-61	90312-GF0-000	1-D15	2-30
90019-MCT-000	1-C8	1-17	90118-MR1-000	1-D10	2-20	90314-MB6-000	1-D2	2-4
90020-ZC3-000	1-C1	1-2	90120-KCR-003	1-E16	2-64	90315-MK3-003	1-E16	2-64
90021-MM5-000	1-C8	1-17	90120-MBB-000	1-D16	2-33	90320-747-000	1-D11	2-22
90023-MBT-010	1-C8	1-16	90121-MV9-670	1-C6	1-12	90381-HA0-000	1-C11	1-23
	1-C11	1-22	90122-MN4-008	1-C9	1-18	90401-MCT-000	1-C12	1-25
90037-ME9-000	1-C8	1-17	90130-MBB-000	1-C12	1-25	90402-MCL-000	1-C8	1-16
90051-MCT-000	1-C12	1-25	90131-KBV-003	1-E1	2-35	90405-MCT-000	1-C8	1-17
90071-MB0-000	1-C9	1-18	90131-KPB-751	1-E2	2-37	90406-MCT-000	1-C12	1-25
90082-HA0-000	1-C4	1-9		1-E4	2-41	90428-PD6-003	1-E6	2-45
90084-MN8-010	1-C7	1-14	90131-MY3-781	1-D14	2-29	90430-PD6-003	1-E6	2-45
90085-KFB-000	1-D11	2-22	90131-S0X-A00	1-E5	2-43	90441-MCT-000	1-C11	1-22
90085-MAJ-A20	1-C10	1-20	90132-MY2-000	1-E3	2-38	90442-397-000	1-C4	1-9
90091-KV3-700	1-E2	2-37	90135-MAJ-G41	1-E1	2-35	90442-MCT-305	1-C11	1-23
	1-E4	2-41	90135-MZ2-000	1-E3	2-39	90454-MC7-000	1-C6	1-12
90101-HE0-670	1-D9	2-18	90145-MR8-014	1-D4	2-9	90463-ML7-000	1-C6	1-12
90101-MCT-000	1-E14	2-61	90145-MS9-612	1-D3	2-6	90474-333-000	1-C10	1-20
90102-MCT-000	1-D8	2-17		1-D4	2-8		1-C12	1-25
90103-MBG-000	1-D13	2-26		1-D4	2-9	90501-124-000	1-E5	2-43
90104-MCT-000	1-D14	2-29		1-D5	2-11	90501-KAF-000	1-E10	2-52
90105-MBB-000	1-E2	2-37		1-D6	2-13	90501-MA3-720	1-F1	2-67
	1-E4	2-41	90147-MCE-950	1-E10	2-53	90504-964-000	1-D11	2-22
90105-MBY-000	1-E9	2-51	90149-SE0-003	1-E14	2-60	90505-MC4-000	1-E6	2-45
90105-MCT-000	1-E5	2-43	90161-ML7-000	1-E10	2-52	90505-MCT-000	1-D5	2-11
90105-MV9-003	1-E2	2-37	90175-MCT-640	1-E6	2-45		1-D6	2-13
	1-E4	2-41						

PART NUMBER INDEX

Part Number	Grid	Page	Part Number	Grid	Page	Part Number	Grid	Page
90506-MCT-000	1-D9	2-18	91211-MCT-003	1-C12	1-24	93600-04012-0G	1-D5	2-10
90522-170-700	1-D10	2-20	91251-MCT-003	1-C10	1-20	93600-04012-1G	1-D3	2-6
90543-MV9-670	1-C1	1-2	91253-MCF-003	1-E4	2-41		1-D4	2-8
90545-300-000	1-D3	2-6	91254-MCK-A01	1-D16	2-33		1-D5	2-10
	1-D4	2-8	91257-MAY-003	1-E2	2-37	93891-05010-00	1-E2	2-37
	1-D4	2-9	91301-428-003	1-C14	1-28	93891-05012-08	1-D14	2-29
	1-D5	2-10	91301-PLC-000	1-C15	1-31	93891-05016-00	1-D13	2-27
	1-D6	2-12	91301-PM5-A01	1-C7	1-14	93891-05016-07	1-D11	2-22
	1-D6	2-13	91302-MB0-013	1-C6	1-12		1-D14	2-29
90551-MG7-000	1-E10	2-52	91302-MCA-000	1-C15	1-31	93891-05020-08	1-D11	2-22
90601-MCT-000	1-C10	1-20	91302-PC9-003	1-C14	1-28	93891-06012-00	1-E13	2-58
90601-PV3-003	1-D12	2-25	91302-PJ4-000	1-C7	1-14	93892-05012-00	1-C16	1-32
90602-MCT-000	1-C10	1-20	91302-PJ4-004	1-C7	1-14	93892-05012-10	1-C16	1-32
90603-MCT-003	1-C11	1-23	91302-PLC-000	1-C16	1-32	93892-05020-07	1-D2	2-4
90605-166-720	1-C11	1-23	91303-377-000	1-C7	1-14	93892-05022-00	1-C16	1-32
90627-ZA8-E50	1-E2	2-37	91303-KF0-003	1-C14	1-28	93892-05025-07	1-D2	2-4
90651-MA5-671	1-D3	2-6	91303-PK2-005	1-E8	2-49	93892-05035-07	1-D2	2-4
	1-D4	2-8	91304-MCP-900	1-C6	1-12	93892-05045-07	1-D2	2-4
	1-D5	2-10	91304-MCT-003	1-C1	1-3	93893-04012-07	1-D3	2-6
90666-S84-A01	1-D12	2-25	91305-PE2-003	1-C7	1-14		1-D4	2-8
	1-D14	2-29	91307-035-000	1-C7	1-14		1-D5	2-10
90677-KAN-961	1-D11	2-22	91309-425-003	1-C9	1-18	93893-04012-17	1-D3	2-6
	1-D13	2-26	91309-PX4-003	1-C1	1-3		1-D4	2-8
	1-D14	2-29	91311-KE8-000	1-C6	1-12		1-D5	2-10
	1-D15	2-30	91312-MG7-003	1-C9	1-18	93893-04014-08	1-E5	2-43
	1-E5	2-43	91313-MB0-003	1-C8	1-17	93894-05012-00	1-D12	2-25
	1-E13	2-58	91313-MG7-004	1-C8	1-17	93894-05014-07	1-D15	2-30
90679-SG9-E01	1-E14	2-60	91320-MB0-000	1-C9	1-18	93894-06014-07	1-D12	2-25
90683-GAZ-003	1-D11	2-22	91326-PL5-003	1-C12	1-25	93901-22210	1-D7	2-15
	1-E6	2-45	91353-MCT-003	1-C12	1-24	93901-24320	1-D1	2-3
90684-ZA0-601	1-E14	2-60	91354-MCT-003	1-C8	1-17	93901-34220	1-E13	2-58
	1-E14	2-61	91356-KT1-671	1-D16	2-33	93901-34280	1-D13	2-27
90690-GHB-651	1-E14	2-61	91356-MA6-005	1-C14	1-28	93901-34580	1-E13	2-58
90690-GHB-661	1-D11	2-22	91387-SM4-J61	1-C12	1-24	93903-22420	1-D1	2-3
90690-GHB-671	1-E14	2-61	91405-PD1-004	1-E6	2-45	93903-24310	1-D14	2-29
90741-ZE2-000	1-C14	1-29	91406-SL4-931	1-E6	2-45	93903-24320	1-E8	2-49
91001-035-008	1-C12	1-25	91508-MM5-000	1-E8	2-49	93903-24420	1-D1	2-3
91001-GF6-004	1-C12	1-25	92101-06020-4J	1-E14	2-60	93903-24580	1-D11	2-22
91001-MCT-013	1-C10	1-20	92900-06022-0E	1-C1	1-3	93903-25310	1-D1	2-3
91002-MCT-003	1-E4	2-41	93301-05010-0H	1-C8	1-16	93903-25420	1-E8	2-49
91004-MCT-003	1-C12	1-24	93401-04016-08	1-C16	1-32	93903-25480	1-E8	2-49
91005-MCT-003	1-C12	1-25	93404-06012-00	1-D13	2-27	93903-34210	1-D13	2-27
91007-MCT-003	1-C12	1-25		1-E16	2-64	93903-34310	1-D11	2-22
91008-MCT-003	1-C10	1-20	93404-06012-07	1-E13	2-58		1-D12	2-25
91012-MCT-003	1-C10	1-20	93404-06012-08	1-E13	2-58	93903-34380	1-D8	2-17
91015-KT8-005	1-D9	2-18	93404-06016-00	1-D12	2-25		1-D11	2-22
91016-MR7-003	1-D9	2-18	93404-06020-00	1-D13	2-27		1-D12	2-25
91054-MAM-003	1-E2	2-37	93404-06020-07	1-E7	2-47		1-D14	2-29
91054-MN8-741	1-E2	2-37	93404-06025-00	1-D3	2-6		1-D15	2-31
91059-KY2-711	1-D8	2-17	93404-08025-00	1-E7	2-47		1-E12	2-56
91101-MCT-003	1-C12	1-24	93414-08032-00	1-E10	2-52	93903-34420	1-D1	2-2
91201-MCT-003	1-C14	1-28	93500-04020-0H	1-E14	2-60	93903-34480	1-D11	2-23
91202-HE0-003	1-E4	2-41	93500-05012-0A	1-D8	2-17		1-D12	2-25
91205-MCT-003	1-C10	1-20	93500-05028-0G	1-C1	1-3		1-D13	2-27
91205-MM5-003	1-C12	1-25	93600-04012-0G	1-D3	2-6		1-D14	2-29
91208-PF5-005	1-E3	2-39		1-D4	2-8		1-D15	2-31

PART NUMBER INDEX

Part Number	Grid	Page	Part Number	Grid	Page	Part Number	Grid	Page
93904-35210	1-E5	2-43	95001-35003-60M	1-F2	2-68	95701-08025-00	1-E15	2-62
93904-35380	1-D14	2-29	95001-75008-60M	1-F2	2-68	95701-08030-00	1-C14	1-28
93911-25520	1-E8	2-49	95002-02120	1-E16	2-64	95701-08035-00	1-C7	1-14
93913-14220	1-C10	1-20	95002-40850-04	1-E6	2-45	95701-08035-08	1-D8	2-17
93913-15410	1-D12	2-25	95002-41000-08	1-C6	1-12	95701-08040-00	1-C7	1-14
94050-05000	1-F1	2-67		1-E16	2-64		1-C13	1-26
94050-06000	1-D15	2-31	95002-41200-08	1-E8	2-49	95701-08065-00	1-C10	1-21
	1-E5	2-43	95002-41250-08	1-E16	2-64	95701-08085-00	1-C14	1-28
	1-E6	2-45	95002-70000	1-E16	2-64	95701-08110-00	1-C14	1-28
	1-E13	2-58	95002-80000	1-E8	2-49	95701-08130-00	1-C14	1-28
94050-06070	1-E13	2-58	95003-23008-60M	1-E8	2-49	95701-08140-00	1-C14	1-28
94050-08000	1-D11	2-23	95003-25003-60M	1-E6	2-45	95701-10030-00	1-E11	2-54
	1-E6	2-45	95005-35001-20M	1-C16	1-32	95701-10035-08	1-D8	2-17
	1-E10	2-52		1-F2	2-68	95701-10040-07	1-E11	2-54
	1-E14	2-61	95005-70003-30M	1-E16	2-64	95701-10070-00	1-E4	2-41
94050-08070	1-D9	2-19	95005-75001-20M	1-E16	2-64	95801-06022-07	1-D6	2-12
94050-10000	1-E14	2-61	95011-61000	1-E5	2-43		1-D7	2-14
94050-10070	1-E10	2-53	95018-72250	1-E8	2-49	95801-08025-00	1-E15	2-62
94071-08080	1-E3	2-39	95701-06010-00	1-C4	1-9	95801-08040-00	1-D11	2-23
94101-05000	1-E10	2-52		1-D8	2-17	95801-10030-00	1-E11	2-54
94101-08700	1-D9	2-19	95701-06012-00	1-C6	1-12	95801-10055-00	1-E4	2-41
94101-10000	1-E11	2-55		1-D11	2-23	96001-06012-00	1-D13	2-27
94101-10700	1-E10	2-53		1-E5	2-43	96001-06014-00	1-C16	1-32
94102-08800	1-D14	2-29		1-E14	2-60	96001-06020-00	1-C6	1-13
	1-E10	2-53		1-F2	2-68		1-C10	1-21
94103-06000	1-E13	2-58	95701-06012-08	1-E10	2-52	96001-06022-07	1-D3	2-6
94201-20120	1-D14	2-29	95701-06014-00	1-C4	1-9		1-D4	2-8
94201-20200	1-E11	2-54	95701-06014-08	1-E8	2-49		1-D5	2-10
94201-20220	1-E11	2-54	95701-06016-00	1-C10	1-21	96001-06025-00	1-C6	1-13
94201-20250	1-E11	2-54		1-E4	2-41	96001-06032-00	1-C10	1-21
94201-20280	1-E11	2-54	95701-06018-00	1-C2	1-4	96100-62040-00	1-C15	1-30
94201-20320	1-E11	2-54	95701-06020-00	1-C6	1-12	96100-63050-00	1-C13	1-26
94201-20350	1-E11	2-54	95701-06022-00	1-D6	2-12	96211-08000	1-D14	2-29
94201-29220	1-E11	2-54		1-D6	2-13	96300-06012-00	1-D3	2-6
94251-06000	1-E5	2-43	95701-06022-07	1-D6	2-12		1-D4	2-8
94301-08100	1-C7	1-14		1-D7	2-14	96300-06012-07	1-D6	2-12
94301-08140	1-C2	1-4	95701-06022-08	1-E16	2-65		1-D7	2-14
	1-C8	1-17	95701-06025-00	1-C4	1-9		1-D7	2-15
94301-10160	1-C1	1-2		1-C8	1-17	96400-10040-00	1-E11	2-55
	1-C7	1-14		1-F2	2-68	96600-06016-00	1-C8	1-16
	1-C10	1-20	95701-06028-08	1-D6	2-12	96600-06022-00	1-D10	2-20
	1-C13	1-26		1-D6	2-13	96600-06032-00	1-C8	1-16
	1-C14	1-28		1-E14	2-60	98059-58916	1-C2	1-4
94301-12160	1-E4	2-41	95701-06030-00	1-C7	1-14	98059-58926	1-C2	1-4
94301-12200	1-C2	1-4		1-C9	1-18	98059-59910	1-C2	1-4
	1-C5	1-10	95701-06035-00	1-C8	1-17	98059-59916	1-C2	1-4
94510-32100	1-C15	1-30	95701-06040-00	1-C6	1-13	98059-59926	1-C2	1-4
94510-45000	1-C12	1-24		1-D3	2-6	98200-33000	1-E7	2-47
94520-35000	1-C12	1-24	95701-06060-00	1-C14	1-28	98200-41000	1-E14	2-60
94520-47000	1-E4	2-41	95701-06085-00	1-C14	1-28	98200-41500	1-E14	2-60
94520-62000	1-C13	1-26	95701-08012-00	1-E15	2-62	98200-43000	1-E14	2-60
94520-65000	1-C13	1-26	95701-08012-08	1-E14	2-60	99001-14170	1-F1	2-66
94591-25000	1-D15	2-31	95701-08014-00	1-D7	2-15	99003-10000	1-F1	2-66
	1-E8	2-49	95701-08016-00	1-C12	1-24	99003-30000	1-F1	2-66
94591-45000	1-D1	2-3	95701-08016-07	1-E15	2-62	99003-50000	1-F1	2-66
94601-17000	1-C14	1-29	95701-08018-00	1-C10	1-21	99008-02000	1-F1	2-66

Description

Index

World of Powersports.com
800-407-7218

DESCRIPTION INDEX

Description	Grid	Page	Ref	Description	Grid	Page	Ref
(A)				BOLT, DISK (8X24)	1-E2	2-37	13
ARM	1-E3	2-39	6	1-E4	2-41	18	
ARM, L. PILLION STEP *NH471M* (MAT EXTREME SILVER METALLIC)	1-D14	2-28	10	1-E14	2-61	11	
ARM, R. PILLION STEP *NH471M* (MAT EXTREME SILVER METALLIC)	1-D14	2-28	5	1-E14	2-61	12	
AXLE, FR. WHEEL	1-E2	2-36	5	1-E11	2-54	20	
(B)				1-E11	2-17	30	
BACKREST ASSY.	1-E5	2-42	9	1-E14	2-61	10	
BAG, SERVICE BOOK	1-F1	2-66	1	1-E14	2-61	19	
BAG, TOOL	1-F1	2-66	12	1-E11	2-54	19	
BAG, TOOL (200MM)	1-F1	2-66	12	1-D8	2-17	5	
BALL, STEEL (#8) (1/4)	1-D14	2-29	32	1-E14	2-61	5	
BAND, AIR CLEANER CONNECTING TUBE (72)	1-E8	2-49	32	1-E11	2-54	7	
BAND, INSULATOR	1-C1	1-3	6	1-E11	2-55	31	
BAND, MUFFLER	1-E9	2-51	11	1-E11	2-55	30	
BAND, RUBBER	1-E5	2-42	11	1-D9	2-18	19	
BAND, SUCTION HOSE	1-E14	2-60	19	1-E4	2-41	6	
BAND, U-LOCK	1-E5	2-42	2	1-E4	2-41	7	
BAR, SIDE STAND	1-E10	2-53	10	1-E4	2-41	19	
BASE, CONTACT	1-D8	2-16	3	1-D8	2-17	6	
BATTERY (FTZ12S) (YUASA)	1-E7	2-46	1	1-C8	1-16	27	
BATTERY (YTZ12S) (YUASA)	1-E7	2-46	1	1-C11	1-22	13	
BEARING A, CONNECTING ROD (BROWN)	1-C14	1-29	7	1-E16	2-64	21	
BEARING B, CONNECTING ROD (GREEN)	1-C14	1-29	7	1-D15	2-30	17	
BEARING C, CONNECTING ROD (YELLOW)	1-C14	1-29	7	1-E8	2-49	25	
BEARING, HEAD PIPE	1-D9	2-18	10	1-E12	2-57	11	
BEARING, HEAD PIPE (UPPER)	1-D9	2-18	9	1-E16	2-64	12	
BEARING, NEEDLE (22X29X20)	1-C10	1-20	31	1-E16	2-64	28	
BEARING, NEEDLE (27X36X23)	1-C12	1-24	20	1-C4	1-9	11	
BEARING, RADIAL BALL (22X47X14)	1-E4	2-41	24	1-D8	2-17	28	
BEARING, RADIAL BALL (6003U)	1-C12	1-24	19	1-C1	1-3	12	
BEARING, RADIAL BALL (6004)	1-E2	2-37	17	1-C6	1-12	35	
BEARING, RADIAL BALL (6004UU)	1-E2	2-37	17	1-D3	2-6	31	
BEARING, RADIAL BALL (6008UU)	1-C10	1-20	30	1-D4	2-8	24	
BEARING, RADIAL BALL (6204)	1-C15	1-30	5	1-D6	2-12	23	
BEARING, RADIAL BALL (6206)	1-C12	1-25	15	1-D7	2-14	20	
BEARING, RADIAL BALL (62/32UU)	1-C12	1-25	14	1-D7	2-15	13	
BEARING, RADIAL BALL (6304)	1-C12	1-25	13	1-D11	2-23	36	
BEARING, RADIAL BALL (6304) (TOYO)	1-C12	1-25	13	1-D13	2-27	23	
BEARING, RADIAL BALL (6305)	1-C13	1-26	22	1-E5	2-43	36	
BEARING, RADIAL BALL (6822UU)	1-C10	1-20	29	1-E10	2-52	27	
BELT, DRIVE	1-C11	1-23	8	1-E14	2-60	23	
BODY ASSY., THROTTLE (GQ80B A)	1-C15	1-31	9	1-F2	2-68	23	
BOLT 2, STUD (6X22)	1-C1	1-3	17	1-C4	1-9	12	
BOLT A, PIN (NISSIN)	1-E1	2-34	11	1-C16	1-32	25	
BOLT, BANJO (12MM)	1-E6	2-45	21	1-E2	2-37	12	
BOLT, BRAKE DISK (8X24)	1-E2	2-37	13	1-E4	2-41	17	
BOLT, CONNECTING ROD	1-E4	2-41	18	1-E8	2-49	33	
BOLT, COWL SETTING	1-D11	2-22	22	1-E4	2-41	36	
				1-E4	2-41	29	
				1-C10	1-21	21	
				1-E6	2-45	23	
				1-C1	1-2	8	
				1-C6	1-12	36	
				1-C6	1-13	38	
				1-C10	1-21	39	
				1-C1	1-3	10	
				1-D3	2-6	30	
				1-D4	2-8	23	
				1-D5	2-10	22	
				1-D6	2-12	20	
				1-D6	2-12	22	
				1-D6	2-13	17	
				1-D7	2-14	19	

DESCRIPTION INDEX

Description	Grid	Page	Ref	Description	Grid	Page	Ref
BOLT, FLANGE (6X22)	1-E16	2-65	36	BOLT, HEX. (6X20)	1-E14	2-60	21
BOLT, FLANGE (6X25)	1-C4	1-9	13	BOLT, OIL (10X22)	1-D3	2-6	22
	1-C6	1-12	28		1-D4	2-8	17
	1-C6	1-13	39		1-D4	2-9	16
	1-C8	1-17	16		1-D5	2-11	17
	1-F2	2-68	24		1-D6	2-13	14
BOLT, FLANGE (6X28)	1-D6	2-12	21	BOLT, OIL (10X34)	1-D4	2-9	15
	1-D6	2-13	18	BOLT, OIL COOLER	1-C8	1-17	9
	1-E14	2-60	24	BOLT, ONE-WAY (8MM)	1-D8	2-17	21
BOLT, FLANGE (6X30)	1-C7	1-14	11	BOLT, PIN	1-E3	2-39	8
	1-C9	1-18	11	BOLT, R. HANDLEBAR PIVOT	1-D3	2-6	21
	1-C10	1-21	40		1-D3	2-7	16
BOLT, FLANGE (6X32)	1-C8	1-17	17		1-D4	2-9	14
BOLT, FLANGE (6X35)	1-C8	1-17	17	BOLT, SEALING (6MM)	1-E6	2-45	22
BOLT, FLANGE (6X40)	1-C6	1-13	37	BOLT, SEAT HINGE	1-E5	2-43	24
	1-D3	2-6	29	BOLT, SETTING	1-C9	1-18	4
BOLT, FLANGE (6X40) (NSHF)	1-C1	1-3	11	BOLT, SIDE STAND PIVOT	1-E10	2-53	12
	1-C10	1-20	23	BOLT, SOCKET (10X25)	1-D16	2-33	21
BOLT, FLANGE (6X45.5)	1-C1	1-3	14	BOLT, SOCKET (10X45)	1-D14	2-29	19
BOLT, FLANGE (6X60)	1-C14	1-28	23		1-D14	2-29	21
BOLT, FLANGE (6X8)	1-E9	2-51	15	BOLT, SOCKET (5X9)	1-E7	2-46	14
BOLT, FLANGE (6X85)	1-C14	1-28	24	BOLT, SOCKET (6X16)	1-C8	1-16	9
BOLT, FLANGE (8X110)	1-C14	1-28	27	BOLT, SOCKET (6X22)	1-D10	2-20	9
BOLT, FLANGE (8X12)	1-E14	2-60	25	BOLT, SOCKET (6X32)	1-C8	1-16	10
	1-E15	2-62	18	BOLT, SOCKET (8MM)	1-C7	1-15	8
BOLT, FLANGE (8X130)	1-C14	1-28	28	BOLT, SOCKET (8X22)	1-C7	1-14	4
BOLT, FLANGE (8X14)	1-D7	2-15	12		1-C10	1-20	24
BOLT, FLANGE (8X140)	1-C14	1-28	29	BOLT, SOCKET (8X25)	1-D16	2-33	22
BOLT, FLANGE (8X16)	1-C12	1-24	26	BOLT, SOCKET (8X40)	1-D9	2-19	7
	1-E15	2-62	19	BOLT, SPECIAL (10MM)	1-C8	1-17	11
BOLT, FLANGE (8X18)	1-C10	1-21	37	BOLT, SPECIAL (6X16)	1-E10	2-53	13
	1-D15	2-30	14	BOLT, SPECIAL (6X17)	1-C10	1-20	25
BOLT, FLANGE (8X25)	1-E15	2-62	20	BOLT, SPECIAL (6X22)	1-D11	2-22	20
BOLT, FLANGE (8X30)	1-C14	1-28	25	BOLT, SPECIAL (8X22)	1-C12	1-25	8
BOLT, FLANGE (8X32)	1-E1	2-35	20	BOLT, SPECIAL FLANGE (8X35)	1-E5	2-43	25
BOLT, FLANGE (8X35)	1-C7	1-14	12	BOLT, TENSIONER PIVOT	1-C4	1-9	5
	1-D8	2-17	29	BOLT, TORX (10X110)	1-E4	2-41	20
	1-E3	2-39	13	BOLT, TORX (10X60)	1-E4	2-41	19
	1-E10	2-52	19	BOLT, TORX (5X10)	1-E2	2-37	14
BOLT, FLANGE (8X40)	1-C7	1-14	13		1-E4	2-41	22
	1-C13	1-26	21	BOLT, TORX (5X14)	1-D14	2-29	20
	1-D11	2-23	37	BOLT-WASHER (4X16)	1-C16	1-32	20
BOLT, FLANGE (8X42)	1-E3	2-39	14	BOLT-WASHER (6X12)	1-C8	1-17	10
BOLT, FLANGE (8X45)	1-E1	2-35	21		1-D13	2-27	17
BOLT, FLANGE (8X50)	1-E3	2-38	16		1-E13	2-58	23
	1-E9	2-51	17		1-E16	2-64	29
BOLT, FLANGE (8X65)	1-C10	1-21	38	BOLT-WASHER (6X16)	1-D12	2-25	29
BOLT, FLANGE (8X85)	1-C14	1-28	26		1-E16	2-64	26
BOLT, FLANGE KNOCK (7X10.5)	1-C4	1-9	9	BOLT-WASHER (6X20)	1-D13	2-27	18
BOLT, FLANGE SOCKET (8X35)	1-C12	1-25	9		1-E7	2-47	17
BOLT, FR. AXLE	1-E2	2-37	15	BOLT-WASHER (6X25)	1-D3	2-6	26
BOLT, FR. FENDER FIXING	1-D1	2-2	9	BOLT-WASHER (8X12)	1-E11	2-55	3
BOLT, FR. FORK	1-D16	2-33	16	BOLT-WASHER (8X25)	1-E7	2-47	18
BOLT, GROUND (6X16) (SN)	1-E14	2-60	18	BOLT-WASHER (8X32)	1-E10	2-52	24
BOLT, HEAD COVER	1-C1	1-2	7	BOLT-WASHER (9X155)	1-C1	1-3	13
BOLT, HEX. (5X10)	1-C8	1-16	8				

DESCRIPTION INDEX

Description	Grid	Page	Ref	Description	Grid	Page	Ref
BOOT	1-D2	2-5	8	CABLE, STARTER MOTOR	1-E7	2-46	4
	1-D3	2-7	6	CALIPER SUB-ASSY., L. FR.	1-E1	2-34	15
	1-D4	2-9	6	CALIPER SUB-ASSY., PARKING BRAKE	1-E3	2-39	4
BOOT B	1-E1	2-34	14	CALIPER SUB-ASSY., RR.	1-E3	2-38	5
	1-E3	2-38	13	CAMSHAFT, EX.	1-C2	1-5	4
BOOT, BRAKE LEVER	1-D7	2-15	9	CAMSHAFT, IN.	1-C2	1-5	3
BOOT, PIN	1-E3	2-39	10	CANISTER	1-F1	2-67	2
BOOT SEAL, MASTER CYLINDER	1-E3	2-39	12	CAP (14MM)	1-C7	1-14	5
BOSS B, DRIVE FACE	1-C11	1-22	3	CAP ASSY., NOISE SUPPRESSOR	1-E13	2-59	3
BOX ASSY., BATTERY	1-E7	2-46	13	CAP, BLEEDER	1-E1	2-34	5
BOX, LUGGAGE (LOWER)	1-D15	2-30	7		1-E3	2-38	8
BOX, LUGGAGE (UPPER)	1-D15	2-30	6	CAP, FUEL FILLER	1-E6	2-44	18
BRACKET, FR. FENDER	1-D9	2-19	5	CAP, MASTER CYLINDER (NISSIN)	1-D2	2-5	12
BRACKET, L. MAIN STAND	1-E10	2-53	7		1-D3	2-7	10
BRACKET, NUMBER PLATE	1-E12	2-57	16		1-D4	2-9	8
BRACKET, R. MAIN STAND	1-E10	2-53	6	CAP, RADIATOR	1-E15	2-63	6
BRACKET SUB-ASSY., L. FR. CALIPER	1-E1	2-35	16	CAP, RESERVE TANK	1-E15	2-63	14
	1-E1	2-35	17	CAP, SWITCH	1-D12	2-24	11
BRACKET SUB-ASSY., PARKING BRAKE	1-E3	2-39	5	CAP, TAPPET ADJUSTING HOLE	1-C13	1-27	10
BRACKET SUB-ASSY., RR. CALIPER	1-E3	2-38	6	CASE, L. (LOWER)	1-D16	2-33	19
BULB (12V3.4W) (DAIICHI)	1-D15	2-30	4	CASE (LOWER)	1-D1	2-3	3
BULB (12V5W) (ECE) (STANLEY)	1-E12	2-57	2	CASE, R. (LOWER)	1-D16	2-32	9
BULB, FR. TURN (12V21W) (STANLEY)	1-E12	2-56	1	CASE SUB-ASSY., AIR CLEANER	1-E8	2-48	13
	1-E12	2-57	3	CASE, SWINGARM	1-C9	1-19	2
BULB, HEADLIGHT (12V55W) (H7)	1-D1	2-2	8	CASE, THERMOSTAT	1-C5	1-11	12
BULB, WEDGE BASE (12V21/5W) (ECE)	1-E12	2-57	14	CATCH, RR. SEAT	1-E5	2-42	10
BULK HOSE, FUEL (3.5X3000) (3.5X490)	1-F2	2-68	19	CATCH, SEAT	1-E5	2-42	12
BULK HOSE, FUEL (7.5X8000) (7.3X50)	1-F2	2-68	20	CENTER, SWINGARM	1-E4	2-40	3
BULK HOSE, VACUUM (3.5X1000) (3.5X210)	1-C16	1-32	24	CHAIN, CAM (138L) (BORG WARNER)	1-C4	1-9	2
BULK HOSE, VACUUM (3.5X1000) (3.5X350)	1-F2	2-68	22	CHAIN, OIL PUMP (40L) (DAIDO)	1-C8	1-17	4
BULK HOSE, VACUUM (3.5X1000) (3.5X40)	1-C16	1-32	23	CHAMBER, RR. AIR CLEANER	1-E8	2-48	2
BULK HOSE, VACUUM (3.5X1000) (3.5X70)	1-F2	2-68	21	CHAMBER SUB-ASSY., AIR CLEANER	1-E8	2-48	15
BULK HOSE, VACUUM (7.3X1000) (7.3X350)	1-E16	2-64	35	CIRCLIP	1-D3	2-6	25
BULK HOSE, VACUUM (7X3000) (7X800)	1-E16	2-64	34		1-D4	2-8	20
BULK HOSE, VINYL (8X12X8000) (8X12X420)	1-E8	2-49	31		1-D5	2-10	19
BULK HOSE, VINYL (9X11X3000) (9X11X460)	1-E6	2-45	37	CIRCLIP (7MM)	1-C11	1-23	18
BUSH, GUIDE	1-D16	2-32	10	CIRCLIP (INNER) (140)	1-C10	1-20	27
BUSH, PIN	1-E1	2-34	13	CIRCLIP (INNER) (35MM)	1-C12	1-24	25
	1-E3	2-38	12	CIRCLIP (INNER) (47MM)	1-E4	2-41	28
	1-E3	2-39	9	CIRCLIP (INNER) (62MM)	1-C13	1-26	19
BUSH, RR. SHOCK ABSORBER	1-E11	2-55	2	CIRCLIP (INNER) (65MM)	1-C13	1-26	20
BUSH, SHOCK ABSORBER	1-C9	1-19	1	CIRCLIP (INNER) (110)	1-C10	1-20	28
	1-E4	2-40	1	CIRCLIP (OUTER) (30)	1-C11	1-23	17
BUSH, SLIDER	1-D16	2-32	8	CIRCLIP (OUTER) (32MM)	1-C15	1-30	4
				CIRCLIP (OUTER) (45MM)	1-C12	1-24	24
(C)				CLAMP A, BRAKE HOSE	1-D3	2-7	5
CABLE A, SEAT OPEN	1-E5	2-42	15	CLAMP B, RR. BRAKE CABLE	1-D7	2-15	4
CABLE A, THROTTLE	1-D2	2-4	1		1-D5	2-11	1
CABLE B, SEAT OPEN	1-E5	2-42	16		1-D6	2-13	1
CABLE B, THROTTLE	1-D2	2-4	2	CLAMP, BRAKE HOSE	1-D2	2-5	6
CABLE, BATTERY GROUND	1-E7	2-46	7		1-D2	2-5	7
CABLE, GROUND	1-E7	2-46	6		1-D3	2-7	4
CABLE, PARKING BRAKE	1-D7	2-15	2	CLAMP, FUEL HOSE (D10.5)	1-E6	2-45	33
CABLE, STARTER MAGNETIC BATTERY	1-E7	2-46	2	CLAMP, HOSE (22-29)	1-C6	1-12	19
				CLAMP, HOSE (24-32)	1-C5	1-11	18
					1-E16	2-64	22

DESCRIPTION INDEX

Description	Grid	Page	Ref	Description	Grid	Page	Ref
CLAMP, HOSE (28-36MM)	1-E16	2-64	21	COLLAR	1-E13	2-59	11
CLAMP, HOSE (30-37)	1-C5	1-11	17	COLLAR (6.2X13)	1-F1	2-67	17
CLAMP, IGNITION WIRE	1-E6	2-45	20	COLLAR (.8X11)	1-E10	2-52	23
CLAMP, PIPE	1-D5	2-11	18	COLLAR A, ENGINE MOUNTING	1-E14	2-61	4
	1-D6	2-13	15	COLLAR A, RR. FENDER	1-C10	1-20	22
CLAMP, PULSER WIRE	1-C8	1-16	5	COLLAR, BALANCER SHAFT	1-C15	1-30	2
CLAMP, RR. BRAKE CABLE	1-D7	2-15	3	COLLAR, BODY COVER	1-D15	2-30	16
CLAMP, RR. BRAKE HOSE	1-D5	2-11	3	COLLAR, FR. AXLE DISTANCE	1-E2	2-36	8
	1-D6	2-13	3	COLLAR, FR. COVER	1-D10	2-21	9
CLAMP, SPEED SENSOR WIRE	1-C9	1-19	16		1-D10	2-21	10
	1-C9	1-19	17	COLLAR, FR. WHEEL SIDE	1-E2	2-36	6
CLAMP, TUBE (D12)	1-E6	2-45	32	COLLAR, FUEL TANK	1-E6	2-45	26
CLAMP, WATER HOSE (A)	1-C5	1-11	16	COLLAR, GEARSHIFT LEVER SETTING	1-D10	2-20	8
CLAMP, WIRE	1-D1	2-2	2	COLLAR, HEADLIGHT SETTING	1-D8	2-16	17
	1-E12	2-57	1	COLLAR, L. CRANKCASE SIDE	1-C13	1-27	11
CLIP (2X50)	1-D15	2-31	22	COLLAR, MAIN STAND	1-E10	2-53	5
	1-E8	2-49	28	COLLAR, MAIN STAND STOPPER	1-E10	2-53	4
CLIP (7.5MM)	1-E2	2-37	16	COLLAR, MOUNTING RUBBER	1-E9	2-51	13
CLIP A, BRAKE HOSE	1-D3	2-7	3	COLLAR, O-RING	1-C13	1-27	12
CLIP, AIR IN. DUCT PUSH	1-D12	2-25	27	COLLAR, RADIATOR MOUNTING	1-E15	2-63	11
CLIP, BREATHER TUBE	1-E8	2-48	17	COLLAR, RR. AXLE	1-E4	2-40	7
CLIP, CABLE (15MM)	1-E14	2-61	14	COLLAR, RR. GARNISH	1-D9	2-19	6
CLIP, CABLE (20MM)	1-D11	2-22	28	COLLAR, RR. WHEEL SIDE	1-E4	2-40	6
CLIP, CABLE (25MM)	1-E14	2-61	15	COLLAR, SEAL	1-C11	1-23	13
CLIP, FUEL HOSE	1-C5	1-11	4	COLLAR, SPRING GUIDE	1-C11	1-23	14
CLIP, HARNESS	1-E15	2-63	4	COOLER, OIL	1-C8	1-17	7
CLIP, INJECTOR	1-C15	1-31	11	COTTER, VALVE	1-C2	1-5	11
CLIP, PISTON PIN (17MM)	1-C14	1-29	10	COUNTERSHAFT (15T)	1-C12	1-25	4
CLIP, PULSER WIRE	1-E16	2-64	23	COVER, AIR CLEANER	1-E8	2-48	1
CLIP, RR. BRAKE HOSE	1-D5	2-11	2	COVER ASSY., BATTERY	1-D15	2-30	9
	1-D6	2-13	2	COVER ASSY., CYLINDER HEAD	1-C1	1-2	1
CLIP, SNAP FITTING	1-D12	2-25	28	COVER ASSY., L. FR.	1-C9	1-19	5
	1-D14	2-29	22	COVER ASSY., MUFFLER TAIL	1-E9	2-51	9
CLIP, SUB-TANK HOSE	1-E8	2-49	19	COVER, BRAKE LEVER	1-D12	2-24	6
	1-E9	2-50	2	COVER, COMBINATION & LOCK SWITCH	1-D8	2-16	16
CLIP, TRIM	1-D11	2-22	27	COVER, ELEMENT	1-C9	1-19	8
	1-E6	2-45	31	COVER, FLOOR (UPPER)	1-D12	2-24	9
CLIP, TUBE	1-C6	1-12	34	COVER, FR. (LOWER)	1-D10	2-21	13
	1-E6	2-45	36	COVER, FR. *PB358M* (DELTA BLUE METALLIC)	1-D10	2-21	8
	1-E16	2-64	31	COVER, HANDLE	1-D8	2-16	12
CLIP, TUBE (B12)	1-E16	2-64	30	COVER, HOLDER	1-E4	2-41	16
CLIP, TUBE (C11)	1-E16	2-64	33	COVER (INNER) *PB358M* (DELTA BLUE METALLIC) .	1-D12	2-24	5
CLIP, TUBE (C12)	1-E8	2-49	30	COVER, L.	1-C9	1-19	4
CLIP, TUBE (D12)	1-E8	2-49	29	COVER, L. FR. AIR DUCT	1-D12	2-24	12
CLIP, TUBE (D12.5)	1-E16	2-64	32	COVER, L. HANDLE (LOWER)	1-D8	2-16	15
CLIP, WIRE (4X50)	1-D1	2-3	9	COVER, L. RR.	1-C9	1-19	10
CLIP, WIRE HARNESS	1-E14	2-60	20	COVER LICENSE	1-E12	2-57	7
	1-E14	2-61	1	COVER (LOWER)	1-D13	2-26	3
	1-E14	2-61	13	COVER, METER	1-D10	2-21	15
CLUTCH ASSY., STARTING (OUTER)	1-C7	1-15	5	COVER, R.	1-C7	1-14	2
CLUTCH, ONE-WAY	1-C7	1-15	6	COVER, R. FR. AIR DUCT	1-D12	2-24	4
CLUTCH (OUTER)	1-C11	1-23	1	COVER, R. HANDLE (LOWER)	1-D8	2-16	14
COIL, IGNITION	1-E13	2-59	1	COVER, REED VALVE	1-C1	1-2	2
COLLAR	1-C13	1-27	6	COVER, RR. (LOWER) *PB358M* (DELTA BLUE			
	1-D3	2-6	19	METALLIC)	1-D14	2-29	17
				COVER, RR. SPOILER *NH169R* (STAGE GRAY)	1-E5	2-43	21

DESCRIPTION INDEX

Description	Grid	Page	Ref	Description	Grid	Page	Ref
COVER, RUBBER	1-D1	2-2	6	EMBLEM, PRODUCT	1-D8	2-16	18
COVER, SEAT (LOWER)	1-E5	2-43	22	EMBLEM, R. BODY COVER	1-F3	2-70	1
COVER SET, L. BODY *PB358M* (WL) (DELTA BLUE METALLIC)	1-D14	2-28	14	(F)			
COVER SET, R. BODY *PB358M* (WL) (DELTA BLUE METALLIC)	1-D14	2-28	13	FACE B, MOVABLE DRIVE	1-C11	1-22	5
COVER SET, RR. BODY (TYPE1) (WL)	1-D14	2-29	16	FACE, DRIVE	1-C11	1-22	2
COVER, STARTER MAGNETIC TERMINAL	1-E7	2-46	3	FACE SET, DRIVEN	1-C11	1-23	9
COVER, STARTER MOTOR TERMINAL	1-E7	2-46	5	FACE SET, MOVABLE DRIVEN	1-C11	1-23	10
COVER, THERMOSTAT	1-C5	1-11	13	FAN, COOLING	1-E15	2-63	8
COVER, TRANSMISSION	1-C12	1-25	1	FENDER, FR. *PB358M* (DELTA BLUE METALLIC) ...	1-D9	2-19	4
COVER, WATER PUMP	1-C5	1-11	9		1-D10	2-20	2
CRANKCASE, L.	1-C13	1-27	8	FENDER, RR.	1-E12	2-57	15
CRANKCASE, R.	1-C13	1-27	3	FILTER, FUEL	1-E6	2-44	7
CRANKCASE SET, L.	1-C13	1-27	2	FILTER, FUEL RETURN	1-E6	2-44	5
CRANKCASE SET, R.	1-C13	1-27	1	FILTER, OIL (TOYO ROKI)	1-C8	1-17	6
CRANKSHAFT	1-C14	1-29	8	FLANGE, SWINGARM	1-C9	1-19	3
CUSHION ASSY., RR. (KAYABA)	1-E11	2-55	1	FLOOR MAT, L.	1-D13	2-26	9
CUSHION, BATTERY BOX	1-E7	2-46	11	FLOOR MAT, R.	1-D13	2-26	8
CUSHION, BATTERY COVER	1-D15	2-30	10	FLYWHEEL	1-C8	1-16	3
CUSHION, PGM-FI UNIT	1-E13	2-59	16	FORK ASSY., L. FR.	1-D16	2-33	18
CUSHION, RR. COMBINATION LIGHT	1-E16	2-64	24	FORK ASSY., L. FR. *NH295M* (SPARKLING SILVER METALLIC)	1-D16	2-33	18
CYLINDER	1-C5	1-10	1	FORK ASSY., R. FR.	1-D16	2-32	1
CYLINDER HEAD SET	1-C1	1-3	2	FORK ASSY., R. FR. *NH295M* (SPARKLING SILVER METALLIC)	1-D16	2-32	1
(D)				FRAME	1-E14	2-61	2
DAMPER, LID	1-D13	2-26	12	FRAME, RR.	1-E14	2-61	3
DAMPER, OPENNER	1-E5	2-43	23	FUNNEL, AIR	1-E8	2-48	10
DIAPHRAGM (NISSIN)	1-D2	2-5	15	FUSE, BLADE (30A)	1-E7	2-47	19
	1-D3	2-7	13		1-E14	2-60	28
	1-D4	2-9	11	FUSE F (10A) (MINI)	1-E14	2-60	26
DIPSTICK, OIL	1-C7	1-14	3	FUSE F (15A) (MINI)	1-E14	2-60	27
DISK, FR. BRAKE	1-E2	2-36	11	(G)			
	1-E2	2-37	11	GARNISH, SCREEN *PB358M* (DELTA BLUE METALLIC)	1-D11	2-22	17
DISK, RR. BRAKE	1-E4	2-41	14	GASKET, BASE	1-E6	2-44	17
DUCT, AIR CLEANER	1-E8	2-48	6	GASKET C, HEAD COVER	1-C1	1-2	5
DUCT, AIR IN.	1-E15	2-63	13	GASKET, CYLINDER	1-C5	1-10	2
DUCT, GARNISH	1-D11	2-22	18	GASKET, CYLINDER HEAD	1-C1	1-3	4
DUCT, L. FR. COVER	1-D10	2-21	12	GASKET, ELEMENT COVER	1-C9	1-19	9
DUCT, R. FR. COVER	1-D10	2-21	11	GASKET, EX. PIPE	1-E9	2-51	3
DUST SEAL	1-D16	2-33	23	GASKET, HEAD COVER	1-C1	1-2	4
DUST SEAL (20X25X4) (NOK)	1-E3	2-39	15	GASKET, L. COVER	1-C9	1-19	14
DUST SEAL (28X42X8) (NOK)	1-E2	2-37	18	GASKET, LICENSE LIGHT	1-E12	2-57	8
DUST SEAL (32X42X6)	1-E4	2-41	26	GASKET, MUFFLER	1-E9	2-51	12
DUST SEAL (40X52X7)	1-C10	1-20	33	GASKET, TENSIONER LIFTER	1-C4	1-9	7
DUST SEAL, STEERING HEAD	1-D9	2-18	3	GASKET, WATER PUMP COVER	1-C5	1-11	10
DUST SEAL, STEERING HEAD (ARAI)	1-D9	2-18	4	GEAR, COUNTER (38T)	1-C12	1-25	5
(E)				GEAR, FINAL (38T)	1-C12	1-25	7
ELEMENT	1-C9	1-19	7	GEAR, STARTER IDLE (21T)	1-C7	1-15	7
ELEMENT, AIR CLEANER	1-E8	2-48	11	GEAR, STARTER REDUCTION (50/10T)	1-C7	1-15	2
EMBLEM, L. BODY COVER	1-F3	2-70	2	GEAR, STARTING DRIVEN (59T)	1-C7	1-15	4
EMBLEM, L. RR. COVER	1-C9	1-19	13	GENERATOR ASSY., PULSE	1-C8	1-16	2

DESCRIPTION INDEX

Description	Grid	Page	Ref	Description	Grid	Page	Ref
GRIP	1-F1	2-66	11	HOSE D, RR. BRAKE	1-D6	2-13	7
GRIP, L. HANDLE	1-D2	2-4	7	HOSE E, RR. BRAKE	1-D5	2-11	9
GRIP, R. HANDLE	1-D2	2-4	6	HOSE F, RR. BRAKE	1-D5	2-11	10
GRIP, THROTTLE	1-D2	2-4	5	1-D6	2-13	9
GROMMET	1-E13	2-59	12	HOSE, FILLER	1-E15	2-63	15
GROMMET A, AIR CLEANER HOUSING	1-E6	2-45	30	HOSE, FR. BRAKE	1-D3	2-7	2
GROMMET, AIR CLEANER HOUSING	1-D14	2-29	15	HOSE, FUEL FEED	1-E6	2-44	15
GROMMET B, SIDE PANEL	1-D12	2-25	20	HOSE, FUEL RETURN	1-E6	2-44	13
GROMMET, ENGINE COVER	1-F1	2-67	15	HOSE H, RR. BRAKE	1-D5	2-11	13
GROMMET, RR. COVER	1-E14	2-61	9	1-D6	2-13	11
GUARD, MUFFLER	1-E9	2-51	10	HOSE, RADIATOR (LOWER)	1-E16	2-64	19
GUIDE A, CAM CHAIN	1-C4	1-9	8	HOSE, RADIATOR (UPPER)	1-E16	2-64	20
GUIDE ASSY., BRAKE CABLE	1-D7	2-15	5	HOSE, WATER BYPASS	1-C6	1-12	23
.....	1-D7	2-15	6				
GUIDE B, CAM CHAIN	1-C4	1-9	6	(I)			
GUIDE, CABLE (INNER)	1-D7	2-15	7	INJECTOR ASSY., FUEL	1-C15	1-31	10
GUIDE, L. FLOOR	1-D14	2-28	12	INSULATOR, THROTTLE BODY	1-C1	1-3	5
GUIDE, POCKET LID STRIKER	1-D12	2-24	3				
GUIDE, R. FLOOR	1-D14	2-28	7	(J)			
GUIDE, SENSOR WIRE	1-E2	2-36	1	JOINT, AIR CLEANER	1-E8	2-48	7
GUIDE, VALVE (OS)	1-C1	1-3	3	JOINT, FUEL TUBE	1-E6	2-44	12
(H)				JOINT, JIGGLE VALVE	1-E15	2-63	18
HANDLEBAR	1-D8	2-16	6	JOINT, MASTER CYLINDER PIPE (A)	1-D5	2-11	15
HEADLIGHT ASSY. (12V/55W)	1-D1	2-2	3	1-D6	2-13	12
HEADLIGHT UNIT	1-D1	2-2	4	JOINT, RR. MASTER CYLINDER PIPE	1-D5	2-11	14
HINGE, SEAT	1-E5	2-42	7	JOINT, THREE-WAY	1-C15	1-31	14
HOLD, RIM VALVE	1-E4	2-41	13	JOINT (THREE-WAY)	1-C5	1-11	3
HOLDER ASSY., FINAL SHAFT	1-E4	2-41	15	1-C5	1-11	5
HOLDER, DAMPER	1-D12	2-24	15	JOINT, TUBE	1-F1	2-67	11
HOLDER, HANDLE (LOWER)	1-D8	2-16	11	1-F1	2-67	12
HOLDER, L. HANDLE (UPPER)	1-D8	2-16	10	JOINT, TWO-WAY (3.5)	1-E6	2-44	8
HOLDER, L. PILLION STEP *NH471M* (MAT	1-F1	2-67	6
EXTREME SILVER METALLIC)	1-D14	2-28	11	JOINT, VACUUM TUBE (A)	1-C15	1-31	15
HOLDER, MASTER CYLINDER	1-D2	2-5	13	1-F1	2-67	1
.....	1-D3	2-7	11	JOINT, WATER (A)	1-C6	1-12	20
.....	1-D4	2-9	9	JOINT, WATER (B)	1-C6	1-12	25
HOLDER, R. HANDLE (UPPER)	1-D8	2-16	9				
HOLDER, R. PILLION STEP *NH471M* (MAT				(K)			
EXTREME SILVER METALLIC)	1-D14	2-28	6	KEY, BLANK (TYPE1)	1-D8	2-16	4
HOLDER SET, BRUSH	1-C9	1-18	5	1-D8	2-16	5
HOOK, LOCK	1-D12	2-25	19	KEY, SEAT LOCK	1-E5	2-42	14
HORN (HIGH)	1-E13	2-59	13	KEY, SPECIAL WOODRUFF (25X18)	1-C14	1-29	9
HOSE A, FR. BRAKE	1-D2	2-5	2				
HOSE A, OIL COOLER	1-C6	1-12	22	(L)			
HOSE A, PUMP	1-E6	2-44	3	LABEL, BRIEF BOX	1-F2	2-69	2
HOSE A, RR. BRAKE	1-D4	2-9	2	LABEL, CARGO LIMIT (10KG)	1-F2	2-69	3
HOSE A, WATER	1-C5	1-11	14	LABEL, COLOR (PB358) (TYPE1)	1-F2	2-69	11
.....	1-C6	1-12	21	LABEL, DRIVE	1-F2	2-69	9
HOSE B, OIL COOLER	1-C6	1-12	24	LABEL, EXEMPTION	1-F2	2-69	5
HOSE B, RR. BRAKE	1-D6	2-13	5	LABEL, GLOVE BOX CAPACITY	1-F2	2-69	4
HOSE B, WATER	1-C5	1-11	15	LABEL, LOADING	1-F2	2-69	7
HOSE D, FR. BRAKE	1-D2	2-5	5	LABEL, RADIATOR CAP (DENSO)	1-E15	2-63	9
HOSE D, RR. BRAKE	1-D5	2-11	6				

DESCRIPTION INDEX

Description	Grid	Page	Ref	Description	Grid	Page	Ref
LABEL, TIRE	1-F2	2-69	6	NUT, AXLE (10MM)	1-D8	2-17	24
LATCH, TICKET BOX	1-D12	2-25	22	NUT, CAP (6MM)	1-D3	2-6	23
LENS	1-D15	2-30	3		1-D4	2-8	18
LENS ASSY.	1-D1	2-3	4		1-D4	2-9	17
LENS, L. TURN SIGNAL	1-E12	2-56	6		1-E10	2-52	21
LENS, LICENSE	1-E12	2-57	6	NUT, CLIP (5MM)	1-D11	2-22	26
LENS, R. TURN SIGNAL	1-E12	2-56	4		1-D13	2-26	16
LEVER, HAND BRAKE	1-D7	2-15	8		1-D14	2-29	23
LEVER, L. HANDLE	1-D4	2-9	13		1-D15	2-30	17
LEVER, R. HANDLEBAR	1-D3	2-6	17		1-E5	2-43	30
	1-D3	2-7	15		1-E13	2-58	22
LID, FUEL	1-D13	2-26	11	NUT, CLIP (6MM)	1-D15	2-30	15
LID, L. BULB MAINTENANCE	1-D15	2-30	12		1-E7	2-47	16
LID, L. POCKET *PB358M* (DELTA BLUE METALLIC)	1-D12	2-25	18		1-E13	2-58	20
LID, PLUG MAINTENANCE	1-D13	2-26	13		1-E13	2-58	21
LID, R. BULB MAINTENANCE	1-D15	2-30	11	NUT, CONNECTING ROD	1-C14	1-29	4
LID SET, R. POCKET *PB358M* (DELTA BLUE METALLIC)	1-D12	2-24	13	NUT, COWL SETTING (5MM)	1-D11	2-22	21
LIFTER, TENSIONER	1-C4	1-9	4	NUT, FLANGE (10MM)	1-E10	2-53	15
LIFTER, VALVE	1-C2	1-5	7		1-E14	2-61	17
LIGHT ASSY., LUGGAGE BOX	1-D15	2-30	1	NUT, FLANGE (18MM)	1-E4	2-41	23
LIGHT ASSY., RR. COMBINATION	1-E12	2-57	5	NUT, FLANGE (5MM)	1-E10	2-52	20
LIGHT UNIT, RR. COMBINATION	1-E12	2-57	9		1-E13	2-58	19
LOCK ASSY., LID	1-D12	2-24	1		1-F1	2-67	18
LOCK SET	1-D8	2-16	1	NUT, FLANGE (6MM)	1-D15	2-31	21
					1-E5	2-43	33
					1-E6	2-45	34
(M)					1-E13	2-58	27
MAIN HOSE, RR. BRAKE	1-D4	2-9	3		1-E13	2-58	28
MARK, PUSH (TYPE1)	1-D12	2-25	17	NUT, FLANGE (8MM)	1-D9	2-19	10
MARK, RR. BODY COVER (TYPE1)	1-F3	2-70	3		1-D11	2-23	35
MASTER CYLINDER SET	1-D2	2-5	16		1-E5	2-43	28
	1-D3	2-7	14		1-E6	2-45	35
	1-D4	2-9	12		1-E10	2-52	25
MASTER CYLINDER SUB-ASSY., FR. BRAKE	1-D2	2-5	10	NUT, HEX. (16MM)	1-C11	1-23	15
	1-D3	2-7	8	NUT, LOCK	1-D2	2-4	10
MASTER CYLINDER SUB-ASSY., RR.	1-D4	2-9	5	NUT, SERRATE (5MM)	1-E16	2-64	28
MAT A, L. RR. COVER	1-C9	1-19	11	NUT, SET	1-E15	2-63	2
MAT B, L. RR. COVER	1-C9	1-19	12	NUT, SIDE STAND	1-E10	2-53	14
MAT, L. FR. COVER	1-C9	1-19	6	NUT, SPECIAL (6X7)	1-D10	2-20	7
MAT, LUGGAGE BOX	1-D15	2-30	8	NUT, SPRING (4MM)	1-D8	2-17	23
METER ASSY., COMBINATION (MPH/KPH)	1-D1	2-3	1		1-D11	2-22	23
METER, COMBINATION (MPH/KPH)	1-D1	2-3	2		1-D12	2-25	25
MIRROR, L.	1-D2	2-4	9		1-D12	2-25	26
MIRROR, R.	1-D2	2-4	8		1-D13	2-26	15
MODULATOR ASSY.	1-D3	2-6	20		1-E7	2-47	15
MOLDING, WINDSCREEN	1-D10	2-21	7	NUT, SPRING (6MM)	1-D11	2-22	24
MOTOR ASSY., FAN	1-E15	2-63	5	NUT, STEERING STEM LOCK	1-D9	2-18	1
MOTOR ASSY., STARTER (MITSUBA)	1-C9	1-18	1	NUT, U (6MM)	1-D9	2-19	9
MUFFLER	1-E9	2-51	5		1-D10	2-20	6
					1-E13	2-58	18
(N)				NUT-WASHER (6MM)	1-C9	1-18	7
NECK, FILLER	1-E15	2-63	7	NUT-WASHER (8MM)	1-E3	2-39	16
NUT A, SEALING (12MM)	1-E6	2-45	27				

DESCRIPTION INDEX

Description	Grid	Page	Ref	Description	Grid	Page	Ref
(O)				PIN A, DOWEL (12X20)	1-C2	1-4	20
OIL SEAL (32X48X8) (ARAI)	1-E4	2-41	25	1-C5	1-10	3	
OIL SEAL (39.8X64X7)	1-C14	1-28	18	PIN A, DOWEL (8X10)	1-C7	1-14	9
OIL SEAL (40X55X7) (ARAI)	1-C12	1-25	16	PIN A, DOWEL (8X14)	1-C2	1-4	19
OIL SEAL (40X65X6)	1-C10	1-20	32	1-C8	1-17	15	
OPENER, FUEL LID	1-D13	2-26	10	PIN, BOLT	1-E1	2-34	12
O-RING	1-C9	1-18	10	1-E3	2-38	10	
	1-C10	1-20	20	1-E3	2-38	11	
	1-C15	1-31	4	PIN, COTTER (2.0X12)	1-D14	2-29	31
O-RING (13.8X2.5)	1-C7	1-14	7	PIN, COTTER (2.0X20)	1-E11	2-54	18
O-RING (14.7X2.2) (ARAI)	1-C8	1-17	13	PIN, COTTER (2.0X22)	1-E11	2-54	18
O-RING (14.8X2.2)	1-C8	1-17	13	PIN, COTTER (2.0X25)	1-E11	2-54	18
O-RING (14.8X2.4) (ARAI)	1-C14	1-28	21	PIN, COTTER (2.0X32)	1-E11	2-54	18
O-RING (14.8X2.4) (NOK)	1-C14	1-28	21	PIN, COTTER (2.0X35)	1-E11	2-54	18
O-RING (16X2.1)	1-C1	1-3	16	PIN, COTTER (2X28)	1-E11	2-54	18
O-RING (18X3)	1-C7	1-14	8	PIN, HANGER	1-E1	2-35	19
O-RING (22.5X2.7)	1-C14	1-28	20	1-E3	2-39	3	
O-RING (23X2.4)	1-C6	1-12	32	PIN, HANGER (NISSIN)	1-E3	2-38	15
O-RING (24.4X3.1)	1-C9	1-18	9	PIN, KNOCK (12X16)	1-E4	2-41	27
O-RING (24.4X3.1) (ARAI)	1-C9	1-18	9	PIN, LOCK (6MM)	1-E5	2-43	34
O-RING (2.5X1.5)	1-E1	2-34	8	PIN, PISTON	1-C7	1-15	1
O-RING (26X2.4) (NOK)	1-C12	1-25	17	1-C14	1-29	3	
O-RING (31.7X3.5)	1-D16	2-33	24	PIN, PISTON (10X33)	1-C7	1-15	1
O-RING (32.95X2.62) (ARAI)	1-C6	1-12	31	PIN, ROLLER GUIDE	1-C11	1-23	2
O-RING (35.5X3) (NOK)	1-C14	1-28	19	PIN, STEP BAR JOINT	1-D14	2-28	2
O-RING (36.5X1.0)	1-C12	1-24	22	PIPE B, FR. BRAKE	1-D2	2-5	3
O-RING (37X2)	1-C1	1-3	15	PIPE B, RR. BRAKE	1-D4	2-9	4
O-RING (47.5X2)	1-C6	1-12	33	PIPE C, FR. BRAKE	1-D2	2-5	4
O-RING (54.8X1.9)	1-C12	1-24	23	PIPE C, RR. BRAKE	1-D5	2-11	5
O-RING (7.47X3.6)	1-C15	1-31	17	1-D6	2-13	6	
O-RING (7.5X1.5) (HONDA KIKAKI)	1-E8	2-49	22	PIPE, CLIP	1-D1	2-2	5
O-RING (7.85X3.53)	1-C16	1-32	19	PIPE D, RR. BRAKE	1-D5	2-11	7
O-RING (7.8X1.9)	1-C15	1-31	18	PIPE E, RR. BRAKE	1-D5	2-11	8
O-RING (9.6X1.9) (ARAI)	1-C7	1-14	6	1-D6	2-13	8	
O-RING (9.8MM)	1-C7	1-14	6	PIPE, EX.	1-E9	2-51	1
O-RING (9.8X1.9)	1-C7	1-14	6	PIPE F, RR. BRAKE	1-D5	2-11	11
O-RING, OIL COOLER	1-C8	1-17	14	PIPE, FR. FORK	1-D16	2-32	5
(P)				PIPE, FUEL	1-C15	1-31	12
PAD SET	1-E1	2-34	3	PIPE G, RR. BRAKE	1-D5	2-11	12
PAD SET, PARKING BRAKE	1-E3	2-39	1	1-D6	2-13	10	
PAD SET, RR.	1-E3	2-38	2	PIPE, INLET	1-C1	1-3	7
PANEL, METER	1-D10	2-21	14	PIPE (LOWER)	1-E14	2-61	6
PANEL, RR. METER	1-D12	2-24	10	PIPE, SEAT	1-D16	2-32	14
PGM-FI UNIT	1-E13	2-59	15	PISTON (22 A)	1-E1	2-34	6
PIECE, OIL LOCK	1-D16	2-32	11	PISTON (27 A)	1-E1	2-34	10
PIECE SET, SLIDE	1-C11	1-22	1	PISTON (NISSIN)	1-E3	2-38	9
PIN (10X44)	1-C7	1-15	3	PISTON (OS 0.25)	1-C14	1-29	2
PIN A, DOWEL (10X16)	1-C1	1-2	10	PISTON (OS 0.50)	1-C14	1-29	2
	1-C7	1-14	10	PISTON (STD)	1-C14	1-29	2
	1-C10	1-20	35	PIVOT, R. SWINGARM	1-C7	1-14	1
	1-C13	1-26	18	PLATE, DIAPHRAGM (NISSIN)	1-D2	2-5	14
	1-C14	1-28	22	1-D3	2-7	12	
				1-D4	2-9	10	
				PLATE, DRIVE	1-C11	1-23	4
				PLATE, FOOT	1-D14	2-28	8
				PLATE, FUEL LID SET	1-D13	2-26	7

DESCRIPTION INDEX

Description	Grid	Page	Ref	Description	Grid	Page	Ref
PLATE, PILLION STEP CLICK	1-D14	2-28	9	RUBBER C, MOUNT	1-C1	1-3	9
PLATE, PORT (AI)	1-C1	1-2	3		1-C13	1-27	16
PLATE, RAMP	1-C11	1-22	6	RUBBER, CLUTCH DAMPER	1-C11	1-23	7
PLATE, SKID	1-C13	1-27	9	RUBBER, FILLER NECK STOPPER	1-D10	2-21	1
PLUG, BREATHER TUBE	1-E8	2-49	18	RUBBER, FR. PANEL COWL (B)	1-D12	2-25	23
PLUG, PIN	1-E1	2-35	18	RUBBER, FUEL PUMP UNIT	1-E6	2-44	6
	1-E3	2-38	14	RUBBER, FUEL TANK SETTING	1-F1	2-67	16
POCKET ASSY., R. (INNER)	1-D12	2-24	2	RUBBER, GARNISH	1-D11	2-22	19
POST, HANDLE	1-D8	2-16	8	RUBBER, HEADLIGHT MOUNTING	1-D10	2-21	6
PROTECTOR	1-D2	2-5	11	RUBBER, HEADLIGHT MOUNTING	1-D10	2-21	6
	1-D3	2-7	9	RUBBER, HEADLIGHT MOUNTING	1-E6	2-44	14
	1-D4	2-9	7	RUBBER, HEADLIGHT MOUNTING	1-E6	2-45	19
PROTECTOR, EX. PIPE	1-E9	2-51	2	RUBBER, L. PILLION STEP	1-D14	2-28	4
PROTECTOR, HEAT	1-F1	2-67	4	RUBBER, MAIN STAND STOPPER	1-E10	2-53	3
PROTECTOR, MUFFLER	1-E9	2-51	8	RUBBER, MOUNT	1-D3	2-6	18
PROTECTOR, SPEED SENSOR	1-C10	1-20	18	RUBBER, MUFFLER MOUNTING	1-E9	2-51	7
	1-E4	2-40	4	RUBBER, MUFFLER MOUNTING	1-E9	2-51	7
PULSER ASSY., CAM	1-C1	1-3	8	RUBBER, NUMBER PLATE BRACKET CUSHION	1-D14	2-29	18
PULSER RING, FR.	1-E2	2-36	7	RUBBER, PROTECTOR GASKET	1-E9	2-51	4
PUMP ASSY., FUEL	1-E6	2-44	1	RUBBER, R. PILLION STEP	1-D14	2-28	3
PUMP ASSY., OIL	1-C8	1-17	1	RUBBER, RADIATOR MOUNTING	1-E15	2-63	10
PUMP, FUEL	1-E6	2-44	2	RUBBER, RADIATOR MOUNTING	1-E15	2-63	10
				RUBBER, RADIATOR SETTING	1-D10	2-21	2
				RUBBER, RR. FENDER	1-E9	2-51	14
				RUBBER, SEAL	1-D15	2-30	2
					1-E5	2-42	6
(R)				RUBBER, SETTING	1-C1	1-2	9
RADIATOR	1-E15	2-63	1	RUBBER, SHOCK ABSORBER	1-E7	2-46	9
RECTIFIER ASSY., REGULATOR	1-E13	2-59	6	RUBBER, STAND STOPPER	1-D7	2-15	10
REFLECTOR, FR. REFLEX	1-D9	2-19	1	RUBBER, STOPPER	1-E14	2-61	5
	1-D10	2-20	1				
REFLECTOR, REFLEX	1-E12	2-57	12	(S)			
REFLECTOR, RR. REFLEX	1-E12	2-57	13	SCREEN, OIL FILTER	1-C13	1-27	13
REGULATOR ASSY., PRESSURE	1-C15	1-31	13	SCREW (5X20) (TAPPING)(PO)	1-E8	2-49	27
RELAY, STARTER (MICRO ISO)	1-E13	2-59	14	SCREW, BLEEDER	1-E1	2-34	4
RETAINER	1-E3	2-38	4		1-E3	2-38	7
RETAINER, BRACKET	1-E1	2-34	9	SCREW, FLAT (4X12)	1-D3	2-6	27
RETAINER, VALVE SPRING	1-C2	1-5	9		1-D4	2-8	21
RING	1-C9	1-18	6		1-D5	2-10	20
RING, PISTON	1-D16	2-32	13	SCREW, OVAL (6X35)	1-D8	2-17	22
RING, PULSER (RR)	1-E4	2-40	8	SCREW, PAN (4X20)	1-E14	2-60	22
RING SET, PISTON (OS 0.25)	1-C14	1-29	1	SCREW, PAN (5MM)	1-E8	2-49	23
RING SET, PISTON (OS 0.50)	1-C14	1-29	1	SCREW, PAN (5X12)	1-D8	2-17	26
RING SET, PISTON (STD)	1-C14	1-29	1	SCREW, PAN (5X13)	1-E4	2-41	21
RING, SNAP	1-D16	2-32	15	SCREW, PAN (5X20)	1-D13	2-26	14
ROD ASSY., CONNECTING	1-C14	1-29	5	SCREW, PAN (5X28)	1-C1	1-3	18
ROLLER, GUIDE	1-C11	1-23	3	SCREW, PAN (5X28)	1-C1	1-3	18
ROLLER SET, WEIGHT	1-C11	1-22	4	SCREW, PAN (6X14)	1-D10	2-20	5
ROTOR, PULSER	1-C8	1-16	1	SCREW, PAN (6X16)	1-E5	2-43	26
RUBBER A, MOUNT	1-C1	1-3	1	SCREW SET	1-C15	1-31	1
	1-C13	1-27	4	SCREW SET, STOP	1-C15	1-31	2
RUBBER A, RR. FENDER	1-C10	1-20	21	SCREW, SPECIAL (5X10)	1-E6	2-45	25
RUBBER A, STAND STOPPER	1-E5	2-43	35	SCREW, SPECIAL (5X14)	1-E9	2-51	18
RUBBER B, BATTERY HOLDER	1-D10	2-21	4	SCREW, SPECIAL (5X16)	1-D12	2-25	24
RUBBER B, MOUNT	1-C13	1-27	5	SCREW, SPECIAL (5X17)	1-E9	2-51	16
RUBBER, BATTERY BOX	1-E7	2-46	12	SCREW, SPECIAL (6MM)	1-D8	2-17	20
RUBBER C, BATTERY DISTANCE	1-C13	1-27	17	SCREW, SPECIAL (8X52)	1-D9	2-19	8
				SCREW, TAPPING (3X10)	1-D7	2-15	11
				SCREW, TAPPING (3X16)	1-D8	2-17	25

DESCRIPTION INDEX

Description	Grid	Page	Ref	Description	Grid	Page	Ref
SCREW, TAPPING (4X10)	1-D13	2-27	20	SEAL, AIR CELANER ELEMENT	1-E8	2-48	8
	1-D13	2-27	21	SEAL, AIR CHAMBER	1-E8	2-48	5
	1-E13	2-58	25	SEAL, AIR CLEANER	1-E8	2-48	4
SCREW, TAPPING (4X12)	1-C10	1-20	34	SEAL, AIR CLEANER COVER	1-E8	2-48	3
	1-D1	2-3	5	SEAL B, AIR CLEANER HOUSING	1-E8	2-48	9
	1-D1	2-3	6	SEAL, BATTERY BOX	1-E7	2-46	10
	1-D8	2-17	27	SEAL, DRIVEN FACE (48X56X4)	1-C12	1-24	21
	1-D11	2-22	32	SEAL, EX. VALVE STEM (ARAI)	1-C2	1-5	1
	1-D11	2-22	33	SEAL, POCKET LID	1-D12	2-24	14
	1-D12	2-25	32	SEAL SET, FR. FORK	1-D16	2-33	17
	1-D12	2-25	33	SEAL SET, PISTON	1-E1	2-34	1
	1-D14	2-29	26		1-E1	2-34	2
	1-D14	2-29	27		1-E3	2-38	1
	1-D15	2-31	19	SEAL, VALVE STEM (ARAI)	1-C2	1-5	2
	1-E8	2-49	24	SEAT, DOUBLE	1-E5	2-42	8
	1-E12	2-56	7	SEAT, DRIVEN SPRING	1-C11	1-23	12
SCREW, TAPPING (4X16)	1-D1	2-2	10	SEAT, VALVE SPRING	1-C2	1-5	10
	1-D1	2-3	7	SENSOR ASSY., BANK ANGLE	1-E13	2-59	9
	1-D11	2-23	34	SENSOR ASSY., SPEED	1-C10	1-20	19
	1-D12	2-25	34	SENSOR ASSY., TA	1-E8	2-49	20
	1-D13	2-27	22	SENSOR ASSY., WATER TEMPERATURE	1-C6	1-12	26
	1-D14	2-29	28	SENSOR, BANK ANGLE	1-E13	2-59	10
	1-D15	2-31	20	SENSOR, FR. WHEEL SPEED	1-E2	2-36	2
SCREW, TAPPING (4X20)	1-D11	2-22	31	SENSOR, MAP	1-C15	1-31	16
	1-E13	2-58	26	SENSOR, RR. WHEEL SPEED	1-E4	2-40	5
SCREW, TAPPING (5X12)	1-E5	2-43	32	SHAFT ASSY., A BALANCER (43T)	1-C15	1-30	1
SCREW, TAPPING (5X16)	1-D1	2-3	8	SHAFT ASSY., BALANCER (43T)	1-C15	1-30	3
	1-D12	2-25	35	SHAFT, DRIVE (16T)	1-C12	1-25	3
	1-D14	2-29	29	SHAFT, FINAL	1-C12	1-25	6
SCREW, TAPPING (5X20)	1-E8	2-49	25	SHIM, TAPPET (1.200)	1-C2	1-5	12
	1-E8	2-49	26	SHIM, TAPPET (1.225)	1-C2	1-5	12
SCREW, TRUSS (M6X16)	1-E5	2-43	27	SHIM, TAPPET (1.250)	1-C2	1-5	12
SCREWDRIVER 1, PHILLIPS (NO.2)	1-F1	2-66	9	SHIM, TAPPET (1.275)	1-C2	1-5	12
SCREWDRIVER 3, STRAIGHT SLOT (NO.2)	1-F1	2-66	10	SHIM, TAPPET (1.300)	1-C2	1-5	12
SCREW-WASHER (4X10)	1-E6	2-45	24	SHIM, TAPPET (1.325)	1-C2	1-5	12
SCREW-WASHER (4X12)	1-D3	2-6	28	SHIM, TAPPET (1.350)	1-C2	1-5	12
	1-D4	2-8	22	SHIM, TAPPET (1.375)	1-C3	1-6	12
	1-D5	2-10	21	SHIM, TAPPET (1.400)	1-C3	1-6	12
SCREW-WASHER (4X14)	1-E5	2-43	31	SHIM, TAPPET (1.425)	1-C3	1-6	12
SCREW-WASHER (5X10)	1-E2	2-37	19	SHIM, TAPPET (1.450)	1-C3	1-6	12
SCREW-WASHER (5X12)	1-C16	1-32	21	SHIM, TAPPET (1.475)	1-C3	1-6	12
	1-D12	2-25	30	SHIM, TAPPET (1.500)	1-C3	1-6	12
	1-D14	2-29	24	SHIM, TAPPET (1.525)	1-C3	1-6	12
SCREW-WASHER (5X14)	1-D15	2-30	18	SHIM, TAPPET (1.550)	1-C3	1-6	12
SCREW-WASHER (5X16)	1-D11	2-22	29	SHIM, TAPPET (1.575)	1-C3	1-6	12
	1-D13	2-27	19	SHIM, TAPPET (1.600)	1-C3	1-6	12
	1-D14	2-29	25	SHIM, TAPPET (1.625)	1-C3	1-6	12
SCREW-WASHER (5X20)	1-D2	2-4	11	SHIM, TAPPET (1.650)	1-C3	1-6	12
	1-D11	2-22	30	SHIM, TAPPET (1.675)	1-C3	1-6	12
SCREW-WASHER (5X22)	1-C16	1-32	22	SHIM, TAPPET (1.700)	1-C3	1-6	12
SCREW-WASHER (5X25)	1-D2	2-4	12	SHIM, TAPPET (1.725)	1-C3	1-6	12
SCREW-WASHER (5X35)	1-D2	2-4	13	SHIM, TAPPET (1.750)	1-C3	1-6	12
SCREW-WASHER (5X45)	1-D2	2-4	14	SHIM, TAPPET (1.775)	1-C3	1-6	12
SCREW-WASHER (6X12)	1-E13	2-58	24	SHIM, TAPPET (1.800)	1-C3	1-6	12
SCREW-WASHER (6X14)	1-D12	2-25	31	SHIM, TAPPET (1.825)	1-C3	1-7	12
				SHIM, TAPPET (1.850)	1-C3	1-7	12

DESCRIPTION INDEX

Description	Grid	Page	Ref	Description	Grid	Page	Ref
SHIM, TAPPET (1.875)	1-C3	1-7	12	SPARK PLUG (CR9EH9) (NGK)	1-C2	1-4	22
SHIM, TAPPET (1.900)	1-C3	1-7	12	SPARK PLUG (U24FER9) (DENSO)	1-C2	1-4	22
SHIM, TAPPET (1.925)	1-C3	1-7	12	SPARK PLUG (U27FER9) (DENSO)	1-C2	1-4	22
SHIM, TAPPET (1.950)	1-C3	1-7	12	SPLASH GUARD	1-D15	2-30	5
SHIM, TAPPET (1.975)	1-C3	1-7	12	SPOILER, RR. *NH471M* (MAT EXTREME SILVER METALLIC)	1-E5	2-43	20
SHIM, TAPPET (2.000)	1-C3	1-7	12	SPONGE, TOOL BAG	1-F1	2-66	3
SHIM, TAPPET (2.025)	1-C3	1-7	12	SPRING	1-D2	2-5	9
SHIM, TAPPET (2.050)	1-C3	1-7	12		1-D3	2-7	7
SHIM, TAPPET (2.075)	1-C3	1-7	12		1-E5	2-42	3
SHIM, TAPPET (2.100)	1-C3	1-7	12	SPRING ASSY., MAIN STAND	1-E10	2-53	8
SHIM, TAPPET (2.125)	1-C3	1-7	12	SPRING, CARBON BRUSH	1-C9	1-18	3
SHIM, TAPPET (2.150)	1-C3	1-7	12	SPRING, CLUTCH	1-C11	1-23	5
SHIM, TAPPET (2.175)	1-C3	1-7	12	SPRING, DRIVEN FACE	1-C11	1-23	11
SHIM, TAPPET (2.200)	1-C3	1-7	12	SPRING, FR. FORK	1-D16	2-32	2
SHIM, TAPPET (2.225)	1-C3	1-7	12	SPRING, FR. REBOUND	1-D16	2-32	6
SHIM, TAPPET (2.250)	1-C3	1-7	12	SPRING, FUEL LID	1-D13	2-26	6
SHIM, TAPPET (2.275)	1-C3	1-7	12	SPRING, KICK STARTER STOPPER	1-D14	2-28	1
SHIM, TAPPET (2.300)	1-C3	1-7	12	SPRING, L. POCKET LID	1-D12	2-24	8
SHIM, TAPPET (2.325)	1-C3	1-7	12	SPRING, LOCK KEY SETTING	1-D12	2-25	21
SHIM, TAPPET (2.350)	1-C3	1-7	12		1-E5	2-42	4
SHIM, TAPPET (2.375)	1-C3	1-7	12	SPRING, OIL FILTER SCREEN	1-C13	1-27	14
SHIM, TAPPET (2.400)	1-C3	1-7	12	SPRING, OIL LOCK	1-D16	2-32	12
SHIM, TAPPET (2.425)	1-C3	1-7	12	SPRING, PAD	1-E1	2-34	7
SHIM, TAPPET (2.450)	1-C3	1-7	12		1-E3	2-38	3
SHIM, TAPPET (2.475)	1-C3	1-7	12		1-E3	2-39	2
SHIM, TAPPET (2.500)	1-C3	1-7	12	SPRING, R. POCKET LID	1-D12	2-24	7
SHIM, TAPPET (2.525)	1-C3	1-7	12	SPRING, SEAT CATCH	1-E5	2-42	13
SHIM, TAPPET (2.550)	1-C3	1-7	12	SPRING, SIDE STAND	1-E10	2-53	11
SHIM, TAPPET (2.575)	1-C3	1-7	12	SPRING, VALVE (NIPPON)	1-C2	1-5	8
SHIM, TAPPET (2.600)	1-C3	1-7	12	SPROCKET, CAM (38T)	1-C4	1-9	1
SHIM, TAPPET (2.625)	1-C3	1-7	12	SPROCKET, OIL PUMP DRIVE (16T)	1-C8	1-17	2
SHIM, TAPPET (2.650)	1-C3	1-7	12	SPROCKET, OIL PUMP DRIVEN (26T)	1-C8	1-17	3
SHIM, TAPPET (2.675)	1-C4	1-8	12	STAND, MAIN	1-E10	2-53	2
SHIM, TAPPET (2.700)	1-C4	1-8	12	STATOR	1-C8	1-16	4
SHIM, TAPPET (2.725)	1-C4	1-8	12	STAY, AIR CHAMBER	1-E8	2-48	14
SHIM, TAPPET (2.750)	1-C4	1-8	12	STAY, CANISTER	1-F1	2-67	3
SHIM, TAPPET (2.775)	1-C4	1-8	12	STAY, DAMPER	1-E5	2-42	18
SHIM, TAPPET (2.800)	1-C4	1-8	12	STAY, FR. COVER	1-D10	2-21	3
SHIM, TAPPET (2.825)	1-C4	1-8	12	STAY, FR. COVER B	1-D10	2-21	5
SHIM, TAPPET (2.850)	1-C4	1-8	12	STAY, HANDLE COVER	1-D8	2-16	13
SHIM, TAPPET (2.875)	1-C4	1-8	12	STAY, L. FLOOR	1-E14	2-61	8
SHIM, TAPPET (2.900)	1-C4	1-8	12	STAY, L. FR. REFLECTOR	1-D9	2-19	3
SHROUD	1-E15	2-63	3		1-D10	2-20	4
SKIRT, L. FLOOR *NH295M* (SPARKLING SILVER METALLIC)	1-D13	2-26	4	STAY, L. SKIRT	1-D13	2-26	1
SKIRT, R. FLOOR *NH295M* (SPARKLING SILVER METALLIC)	1-D13	2-26	2	STAY, P.C.V.	1-F1	2-67	14
SLEEVE	1-E3	2-39	7	STAY, PGM-FI UNIT	1-E13	2-59	17
SOCKET	1-E12	2-57	11	STAY, R. FLOOR	1-E14	2-61	7
SOCKET (AMBER)	1-E12	2-56	2	STAY, R. FR. REFLECTOR	1-D9	2-19	2
	1-E12	2-57	4		1-D10	2-20	3
SOCKET, HEADLIGHT	1-D1	2-2	7	STAY, RR. BRAKE HOSE	1-D5	2-11	4
SPACER, IGNITION COIL	1-E13	2-59	2		1-D6	2-13	4
SPACER, SPRING	1-D16	2-32	3	STAY, SEAT CATCH	1-E5	2-43	19
SPARK PLUG (CR8EH9) (NGK)	1-C2	1-4	22	STAY, SEAT HINGE	1-E5	2-42	5
				STAY, SEAT LOCK CABLE	1-E5	2-42	17
				STAY, TAIL COVER	1-E9	2-51	6

DESCRIPTION INDEX

Description	Grid	Page	Ref	Description	Grid	Page	Ref
STAY, THERMOSTAT	1-C5	1-11	7	TUBE, HANDLE POST	1-D9	2-18	2
STAY, WIRE	1-C15	1-31	5	TUBE, MAIN STAND SPRING	1-E10	2-53	9
STEM SUB-ASSY., STEERING	1-D9	2-18	5	TUBE, P.C.V. IN.	1-F1	2-67	8
STEP, FLOOR	1-D13	2-26	5	TUBE, SEPARATOR BREATHER	1-E6	2-44	16
STOPPER, CANISTER TUBE	1-C6	1-12	27	TUBE, WATER	1-C5	1-11	2
STRIKER, POCKET LID	1-D12	2-24	16	TURN SIGNAL ASSY., L. FR. (12V 21W)	1-E12	2-56	5
SUB-WIRE, DOOR SWITCH	1-E13	2-59	8	TURN SIGNAL ASSY., R. FR.	1-E12	2-56	3
SUB-WIRE, HEADLIGHT & TURN SIGNAL	1-D1	2-2	1				
SUB-WIRE, SPEED SENSOR	1-C9	1-19	15	(V)			
SUSPENSION, SOLENOID VALVE	1-E9	2-50	5	VALVE ASSY., AIR SOLENOID	1-E9	2-50	1
SWINGARM, R.	1-E4	2-40	2	VALVE ASSY., DELAY	1-D5	2-11	16
SWITCH ASSY., CLUTCH	1-D7	2-15	1		1-D6	2-13	13
	1-E5	2-42	1	VALVE ASSY., RELIEF	1-C8	1-17	5
SWITCH ASSY., COMBINATION & LOCK	1-D8	2-16	2	VALVE, EX.	1-C2	1-5	6
SWITCH ASSY., FR. STOP	1-D2	2-5	1	VALVE, IN.	1-C2	1-5	5
	1-D3	2-7	1	VALVE, PURGE CONTROL SOLENOID	1-F1	2-67	13
	1-D4	2-9	1	VALVE, REED (NOK)	1-C1	1-2	6
SWITCH ASSY., OIL PRESSURE (DENSO)	1-C13	1-27	15	VALVE, RIM (BS)	1-E2	2-36	4
SWITCH ASSY., STARTER MAGNETIC	1-E7	2-46	8		1-E4	2-40	12
SWITCH SET, SIDE STAND	1-E10	2-53	1	VALVE, RIM (INOUE)	1-E4	2-41	12
SWITCH SET, STARTER STOP	1-D2	2-4	3	VALVE, RIM (IRC)	1-E2	2-36	4
SWITCH SET, TURN SIGNAL	1-D2	2-4	4				
(T)				(W)			
TANK, FUEL	1-E6	2-44	10	WASHER	1-D16	2-32	4
TANK, RADIATOR RESERVE	1-E15	2-63	12		1-D16	2-32	7
TENSIONER, CAM CHAIN	1-C4	1-9	3	WASHER (10X25X4)	1-C8	1-17	12
TERMINAL SET, BRUSH	1-C9	1-18	2	WASHER (12.5X34X5)	1-C8	1-16	7
THERMOSTAT	1-C5	1-11	11	WASHER (12.5X38X5)	1-C11	1-22	8
THREAD, STEERING HEAD (UPPER)	1-D9	2-18	6	WASHER (8.3MM)	1-E10	2-52	22
TIRE, FR. (120/80-14 M/C 58S) (BS)	1-E2	2-36	10	WASHER (8MM)	1-C10	1-20	26
TIRE, FR. (120/80-14 M/C 58S) (IRC)	1-E2	2-36	10		1-C12	1-25	12
TIRE, RR. (150/70-13 M/C 64S) (BS)	1-E4	2-40	11	WASHER, FLAT (8MM)	1-D9	2-19	11
TIRE, RR. (150/70-13 M/C 64S) (IRC)	1-E4	2-40	11	WASHER, FR. COVER SETTING	1-E5	2-43	29
TRAY, FUEL TANK	1-E6	2-44	9	WASHER, LOCK NUT	1-D9	2-18	8
TRIM, FUEL TANK	1-E6	2-44	11	WASHER, OIL BOLT	1-D3	2-6	24
TUBE	1-C15	1-31	6		1-D4	2-8	19
	1-C15	1-31	7		1-D4	2-9	18
	1-C15	1-31	8		1-D5	2-10	18
TUBE A, AIR	1-E15	2-63	16		1-D6	2-12	19
TUBE A, AIR INJECTION CONTROL VALVE	1-E9	2-50	3		1-D6	2-13	16
TUBE A, WATER	1-C5	1-11	1	WASHER, OIL BOLT (KAYABA)	1-D16	2-33	20
TUBE, AIR	1-F1	2-67	9	WASHER, PLAIN (10MM)	1-E10	2-53	16
TUBE, AIR CLEANER DRAIN	1-E8	2-48	12		1-E11	2-55	4
TUBE B, AIR	1-E15	2-63	17	WASHER, PLAIN (5MM)	1-E10	2-52	26
TUBE B, AIR INJECTION CONTROL VALVE	1-E9	2-50	4	WASHER, PLAIN (6MM)	1-E13	2-58	29
TUBE, BREATHER	1-C12	1-25	2	WASHER, PLAIN (8MM)	1-D14	2-29	30
	1-E8	2-48	16		1-E10	2-53	17
TUBE C, WATER	1-C5	1-11	6	WASHER, SEALING (12MM)	1-E6	2-45	28
TUBE, CANISTER IN.	1-F1	2-67	5	WASHER, SEALING (6.5MM)	1-C6	1-12	30
TUBE, CANISTER OUTLET	1-F1	2-67	7	WASHER, SEALING (6MM)	1-C4	1-9	10
TUBE, COLLAR	1-C13	1-27	7		1-E6	2-45	29
TUBE, DRAIN	1-F1	2-67	10	WASHER SET, THRUST	1-C11	1-23	16
TUBE, FUEL PUMP RETURN	1-E6	2-44	4	WASHER, SIDE (22MM)	1-C12	1-25	11
				WASHER, SPECIAL (12MM)	1-C6	1-12	29

DESCRIPTION INDEX

Description	Grid	Page	Ref	Description	Grid	Page	Ref
WASHER, SPRING (24MM)	1-C8	1-17	8				
WASHER, STEEL PLATE	1-C9	1-18	8				
WASHER, THRUST (22MM)	1-C12	1-25	10				
WASHER, THRUST (5MM)	1-D11	2-22	25				
WASHER, WAVE (NISSIN)	1-E3	2-39	11				
WATER PUMP	1-C5	1-11	8				
WAX ASSY.	1-C15	1-31	3				
WEIGHT, BALANCE (10)	1-E2	2-36	3				
	1-E4	2-40	10				
WEIGHT, BALANCE (20)	1-E2	2-36	3				
	1-E4	2-40	10				
WEIGHT, BALANCE (30)	1-E2	2-36	3				
	1-E4	2-40	10				
WEIGHT, HANDLE	1-D8	2-16	7				
WEIGHT SET, CLUTCH	1-C11	1-23	6				
WHEEL SUB-ASSY., FR. *NH295M* (SPARKLING SILVER METALLIC)	1-E2	2-36	9				
WHEEL SUB-ASSY., RR. *NH295M* (SPARKLING SILVER METALLIC)	1-E4	2-40	9				
WINDSCREEN	1-D10	2-21	16				
WIRE	1-E12	2-57	10				
WIRE HARNESS	1-E13	2-59	7				
WIRE, IGNITION (1)	1-E13	2-59	4				
WIRE, IGNITION (2)	1-E13	2-59	5				
WRENCH (14X17) (OPEN END)	1-F1	2-66	8				
WRENCH, EYE (10X12)	1-F1	2-66	7				
WRENCH, HEX. (5MM)	1-F1	2-66	6				
WRENCH, PIN	1-F1	2-66	4				
WRENCH, PLUG (16.5)	1-F1	2-66	5				